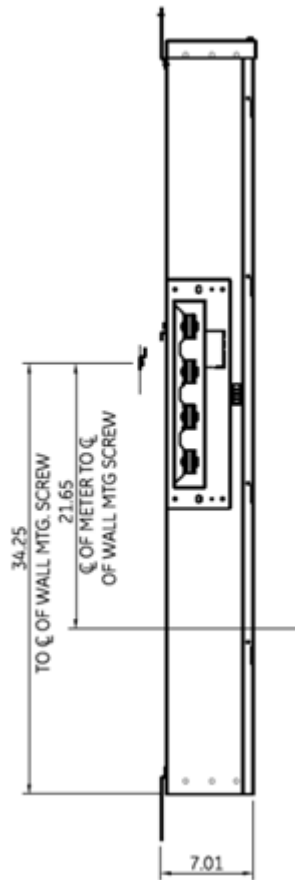
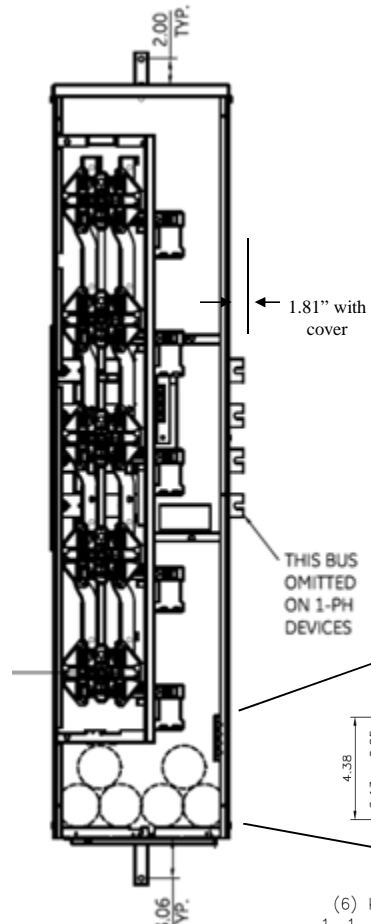


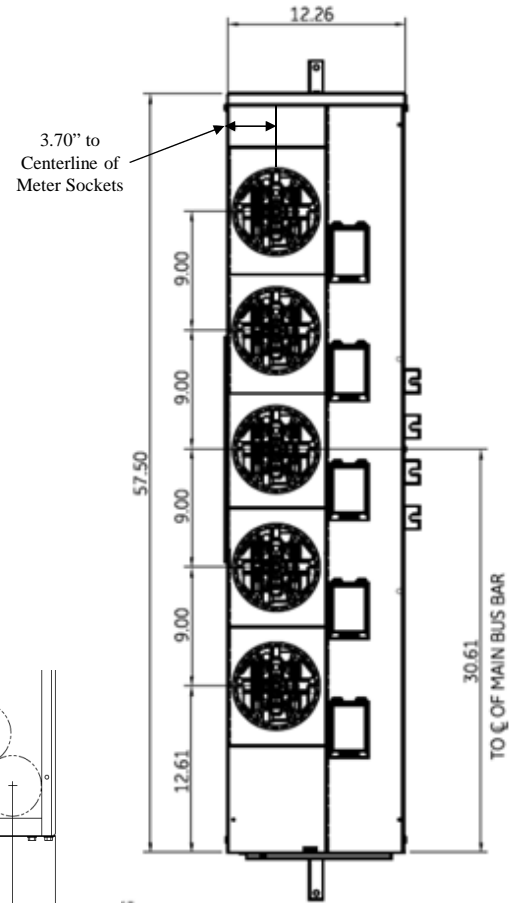
Side View



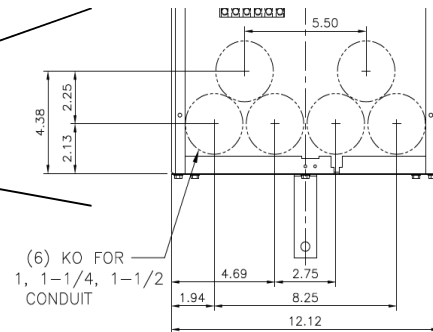
Front View



Front Layout View



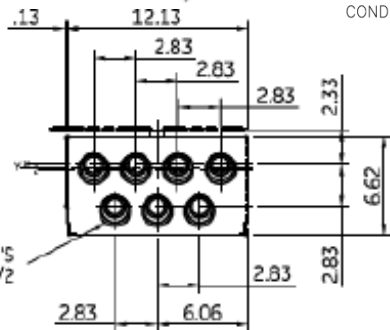
Top view has blank end walls (no knockouts)



Bottom View

Z=C OF 1-1/2" RING  
 Y=C OF 1-1/4" RING  
 X=C OF 3/4" & 1" RING

TANGENTIAL K.O.'S  
 3/4, 1, 1-1/4, 1-1/2



imagination at work

METER MOD III – 1PH 1200A HORIZONTAL BUSSING  
 (5) 125A RINGLESS SOCKETS – N3R ENCLOSURE

REF NO	CAT NO	DWG DATE	REV #
96-4356	TMPR12512R	1/8/2015	01