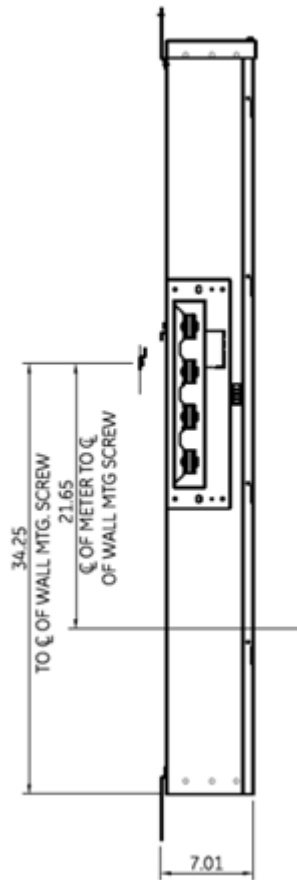
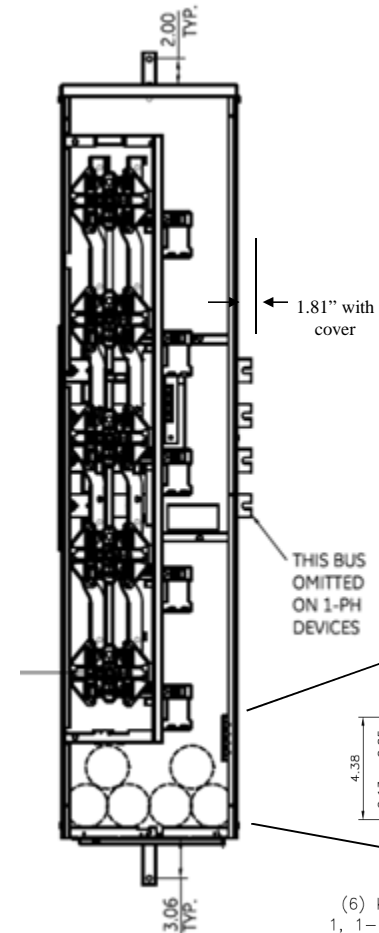


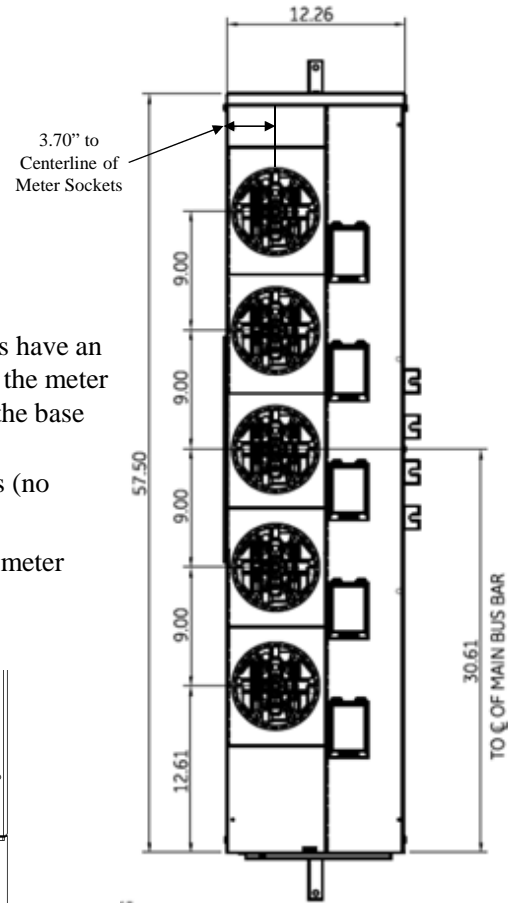
Side View



Front View



Front Layout View

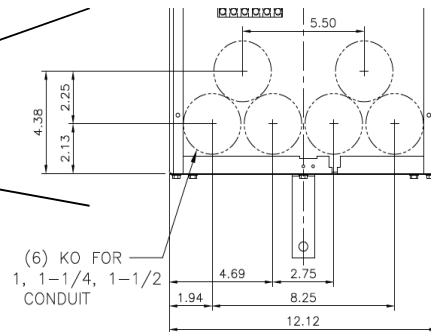


Notes:

These are MEG approved units have an additional cotter pin that keeps the meter socket from detaching from the base

Top view has blank end walls (no knockouts)

This unit has horned bypass meter sockets

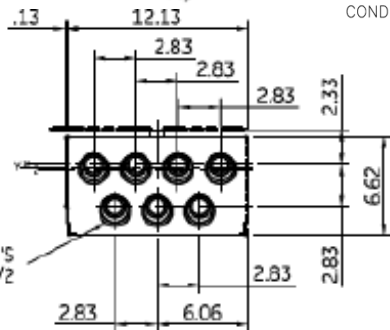


(6) KO FOR
1, 1-1/4, 1-1/2
CONDUIT

Bottom View

Z=C OF 1-1/2" RING
Y=C OF 1-1/4" RING
X=C OF 3/4" & 1" RING

TANGENTIAL K.O.'S
3/4, 1, 1-1/4, 1-1/2



imagination at work

METER MOD III-1PH 1200A HORIZONTAL BUSSING N3R ENCL
(5)125A RINGLESS SOCKETS W/ HORNED BYPASS-MEG APPROVED

REF NO	CAT NO	DWG DATE	REV #
96-4356	TMPR12512RHBF	1/8/2015	01