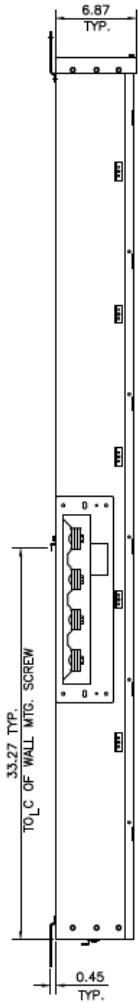
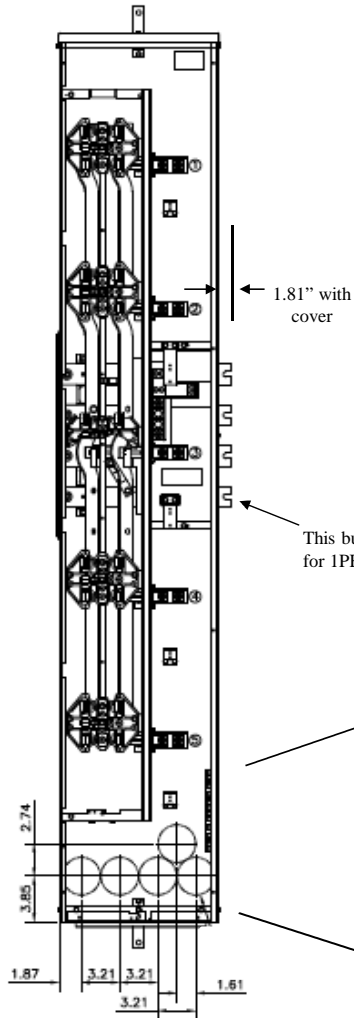


### Side View



### Front View



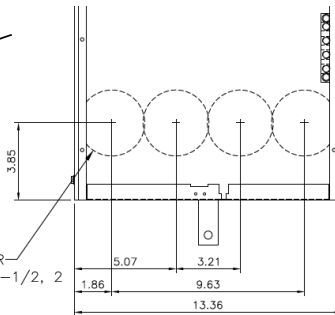
This bus omitted for 1PH devices

Top view has blank end walls (no knockouts)

Centerline of horizontal bussing for this unit is 41.01" from the bottom. The Tmpr12520RHB unit is 28.88" from the bottom

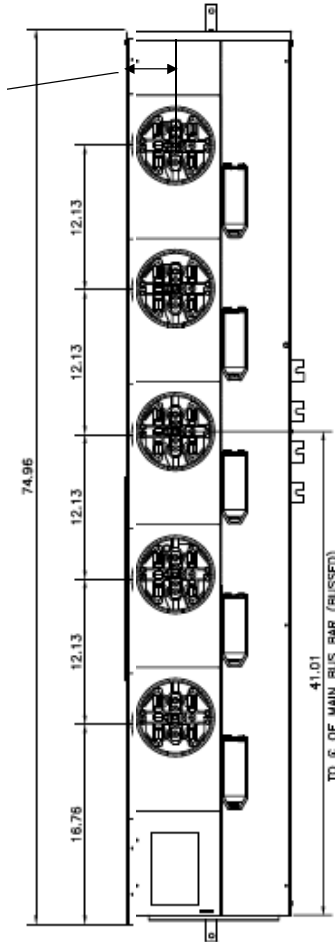
This unit has horned bypass meter sockets

(4) KO FOR 1, 1-1/4, 1-1/2, 2 CONDUIT



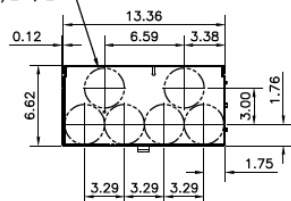
### Front Layout View

3.73" to Centerline of Meter Socket



### Bottom View

(6) CONCENTRIC K.O.'S 1", 1-1/4", 1-1/2", 2"



imagination at work

METER MOD III-1PH 1200A HORIZONTAL BUSSING N3R ENCL (5)200A RGLSS SOCKETS HIGH BUS C-LINE W/HORNED BYPASS

REF NO	CAT NO	DWG DATE	REV #
96-6084	TMpr12520RHBBUS	1/8/2015	01