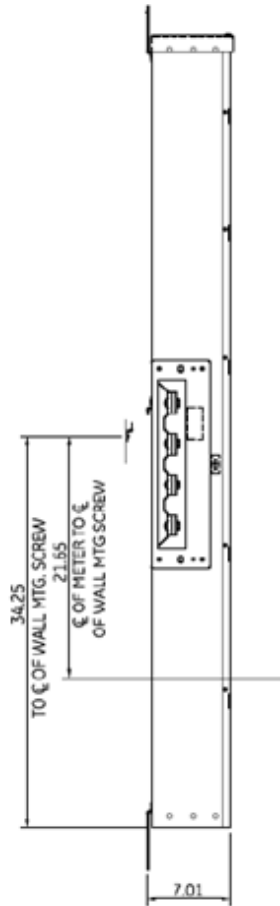
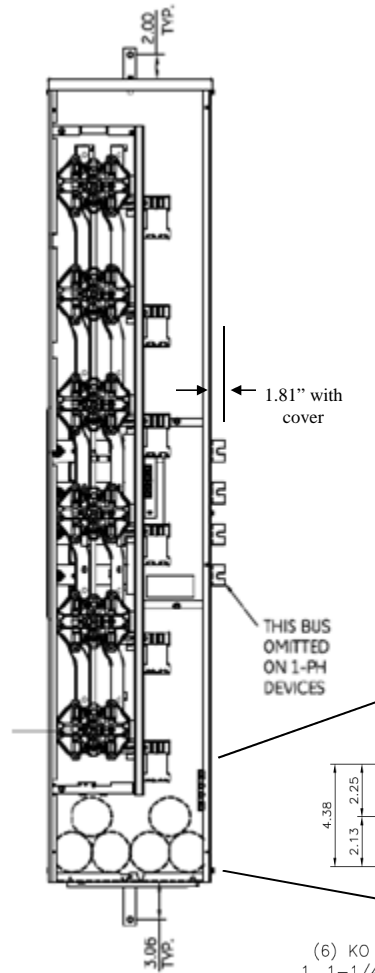


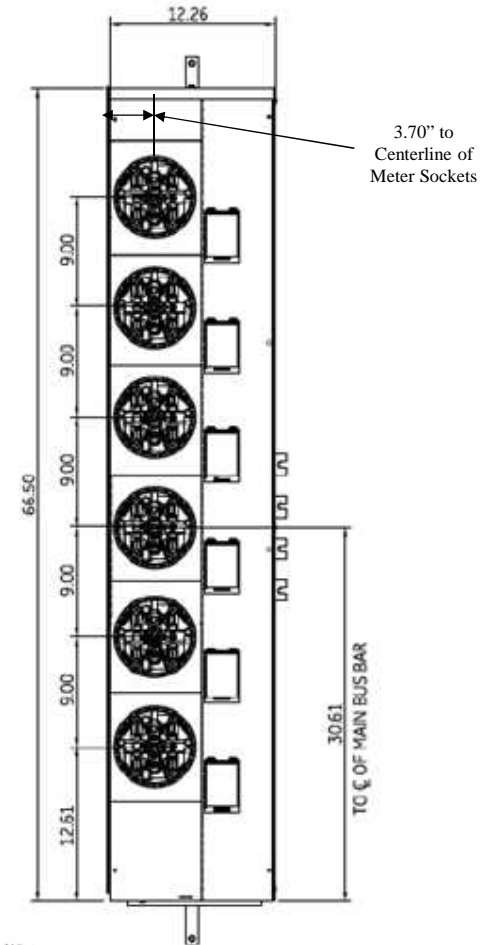
Side View



Front View



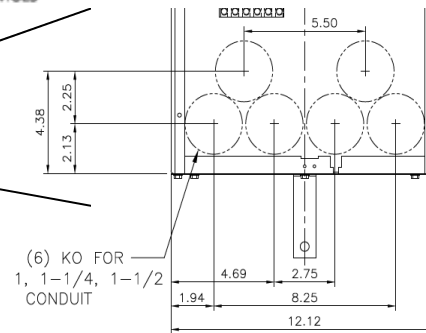
Front Layout View



Notes:

These are MEG approved units have an additional cotter pin that keeps the meter socket from detaching from the base

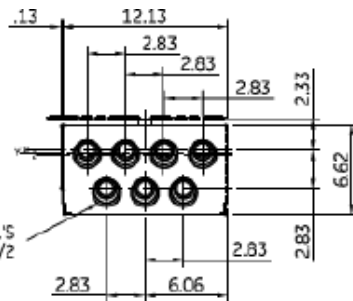
Top view has blank end walls (no knockouts)



Bottom View

"Z"=C OF 1-1/2" RING
 "Y"=C OF 1-1/4" RING
 "X"=C OF 3/4" & 1" RING

TANGENTIAL K.O.'S
 3/4, 1, 1-1/4, 1-1/2



imagination at work

METER MOD III - 1PH 1200A HORIZONTAL BUSSING
 (6)125A RINGLESS SOCKETS-N3R ENCL-MEG APPROVED

REF NO	CAT NO	DWG DATE	REV #
96-4356	TMPR12612RF	1/8/2015	01