

# METER MODULE

CATALOG NO. TMPR312140TR

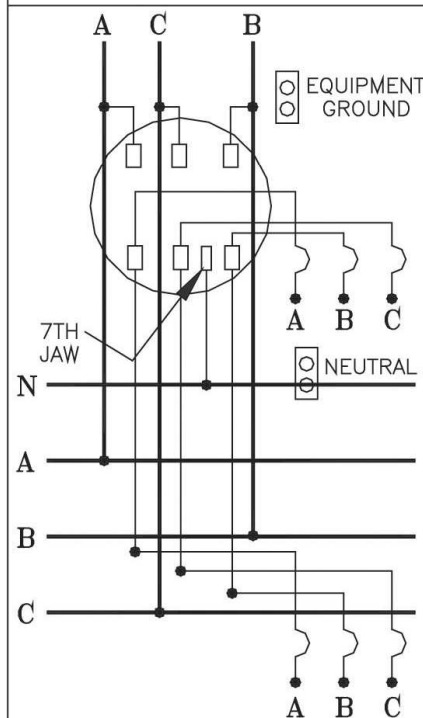
TYPE 3R ENCLOSURE – RAINPROOF

MAIN BUS – 1200 AMPS MAX  
 120/240 VAC 1 PH – 3W  
 208Y/120 VAC 3 PH – 4W  
 240/120 VAC 1 PH – 4W

BRANCH BREAKERS:  
 TYPE TMQV – 225 AMPS MAX.  
 TYPE THQD – 200 AMPS MAX.  
 TYPE TQD – 200 AMPS MAX.

METER SOCKET RATING: 400A  
 (320 AMPS CONTINUOUS)

USE WITH TMP MAIN SWITCH,  
 MAIN BREAKER, MAIN LUG,  
 OR METER MODULES



BØ IS HIGH LEG  
 (POWER LEG)  
 FOR 3PH – 4W  
 DELTA SYSTEM

TYPICAL DIAGRAM

USE ONLY GENERAL ELECTRIC  
 TYPE TQD, THQD, TMQD, TEB, TED,  
 OR THED CIRCUIT BREAKERS.

SUITABLE FOR USE AS SERVICE  
 EQUIPMENT WHEN USED WITH  
 TMP MAIN LUG MODULES AND  
 WHEN NOT MORE THAN SIX  
 MAIN DISCONNECTING MEANS  
 ARE PROVIDED.

TORQUE MAIN BUS JOINT BOLTS  
 TO 300 LB-IN

### RAINTIGHT HUBS

CONDUIT SIZE	CATALOG NUMBER	CONDUIT SIZE	CATALOG NUMBER
1/2	343L647G3	2	343L647G8
3/4	343L647G4	2-1/2	343L647G9
1	343L647G5	3	343L647G10
1-1/4	343L647G6	3-1/2	343L647G11
1-1/2	343L647G7	4	343L647G12

SUITABLE FOR TOP OR BOTTOM FEED. FOR TOP  
 FEED, USE RRAINTIGHT HUBS PER TABLE ABOVE.

USE 60/75°C AL-CU WIRE

### LUG SPECIFICATIONS

FUNCTION	WIRE SIZE AL-CU AWG/MCM	TORQUE LB-IN
NEUTRAL	(2) 1/0-300	200
EQUIPMENT GROUND	(2) { 6-4 3-2/0	45 50

TORQUE BREAKER LUGS TO THE VALUE  
 SPECIFIED ON BREAKERS.

### REPLACEMENT PARTS

METER SOCKET	TMSR322
METER SOCKET COVER	TMCR322
TENANT BREAKER COVER	TMBC20
WIREWAY COVER	TMWC3222
DRIP HOOD	TMDH3
KO PLATE – BACK	TMKPB322
KO PLATE – TOP/BOTTOM	TMKPT322
BREAKER MOUNTING KIT	TMTQD3
HARDWARE KIT	TMP3SK

GENERAL  ELECTRIC