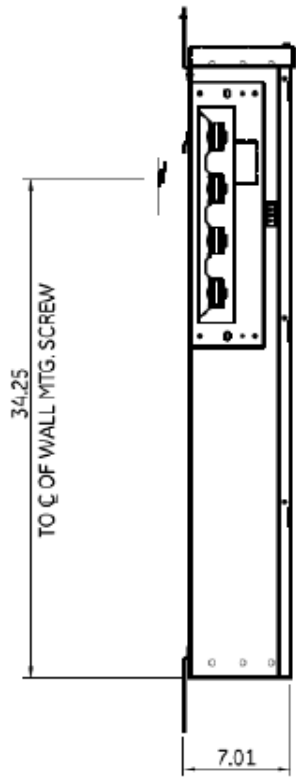
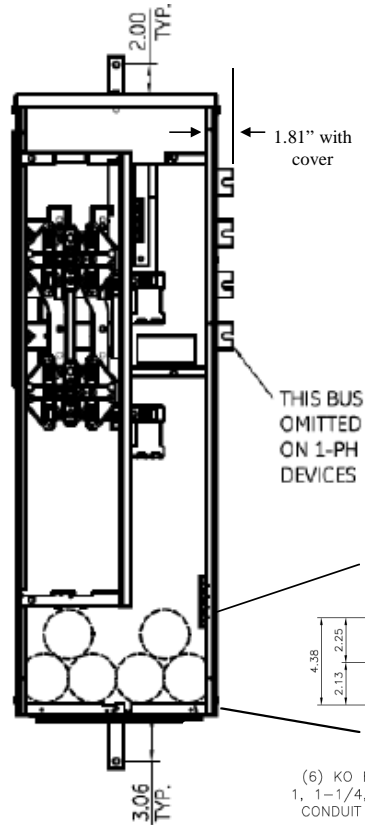


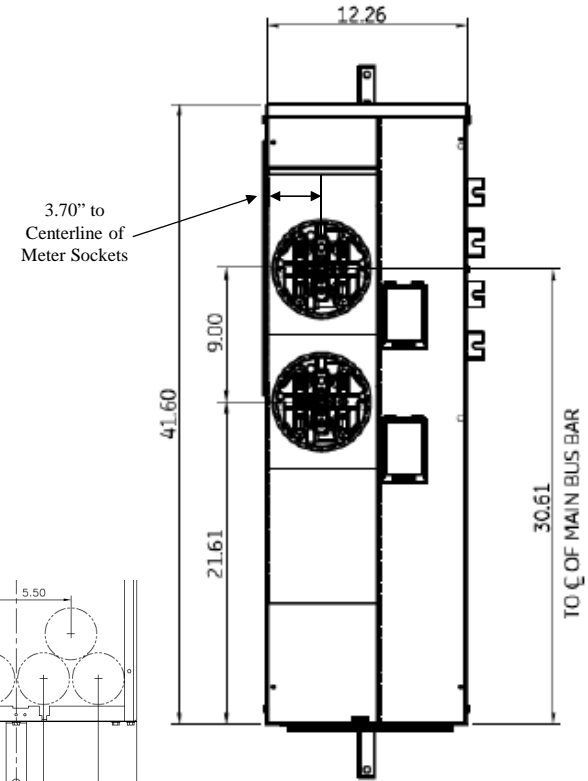
Side View



Front View



Front Layout View



Notes:

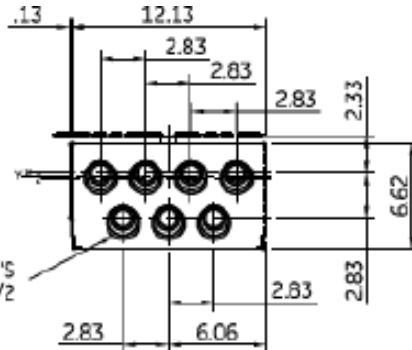
These are MEG approved units have an additional cotter pin that keeps the meter socket from detaching from the base

Top view has blank end walls (no knockouts)

Bottom View

Z=C OF 1-1/2" RING
Y=C OF 1-1/4" RING
X=C OF 3/4" & 1" RING

TANGENTIAL K.O.'S
3/4, 1, 1-1/4, 1-1/2



imagination at work

METER MOD III - 1PH 800A HORIZONTAL BUSSING
(2)125A RINGLESS SOCKETS-N3R ENCL - MEG APPROVED

REF NO	CAT NO	DWG DATE	REV #
96-4356	TMPR8212RF	1/8/2015	01