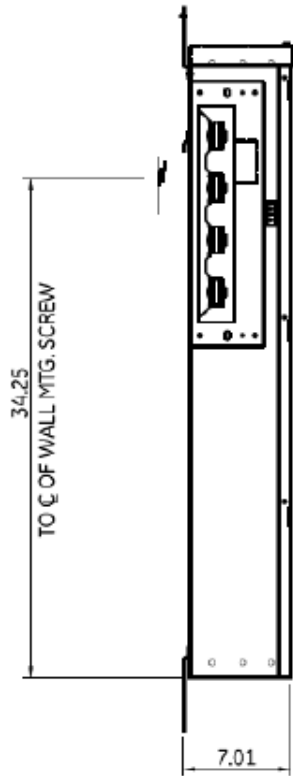
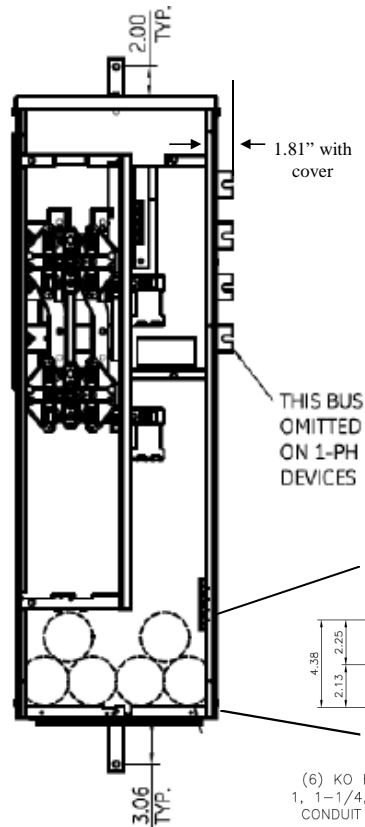


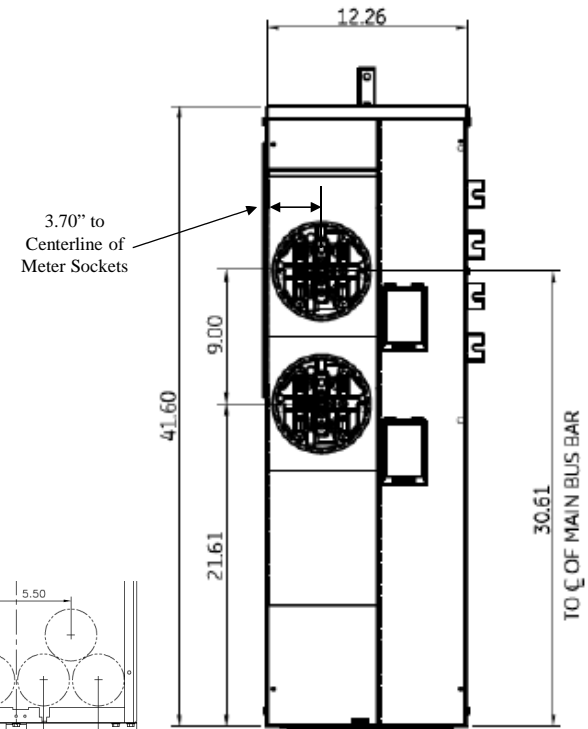
Side View



Front View



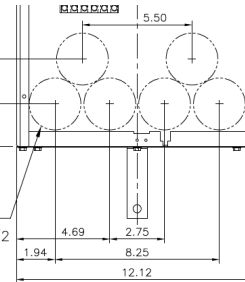
Front Layout View



Notes:

These are MEG approved units have an additional cotter pin that keeps the meter socket from detaching from the base
 This unit has horned bypass meter sockets
 Top view has blank end walls (no knockouts)

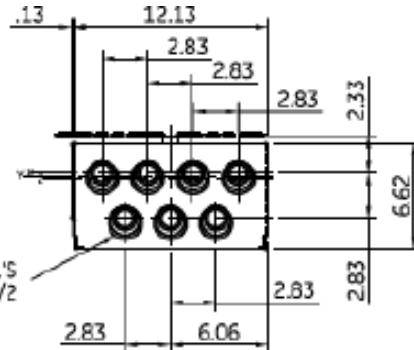
(6) KO FOR
 1, 1-1/4, 1-1/2
 CONDUIT



Bottom View

Z=C OF 1-1/2" RING
 Y=C OF 1-1/4" RING
 X=C OF 3/4" & 1" RING

TANGENTIAL K.O.'S
 3/4, 1, 1-1/4, 1-1/2



imagination at work

METER MOD III - 1PH 800A HORIZONTAL BUSSING N3R ENCL
 (2)125A RINGLESS SOCKETS W/ HORNED BYPASS-MEG APPROVED

REF NO	CAT NO	DWG DATE	REV #
96-4356	TMPR8212RHBF	1/8/2015	01