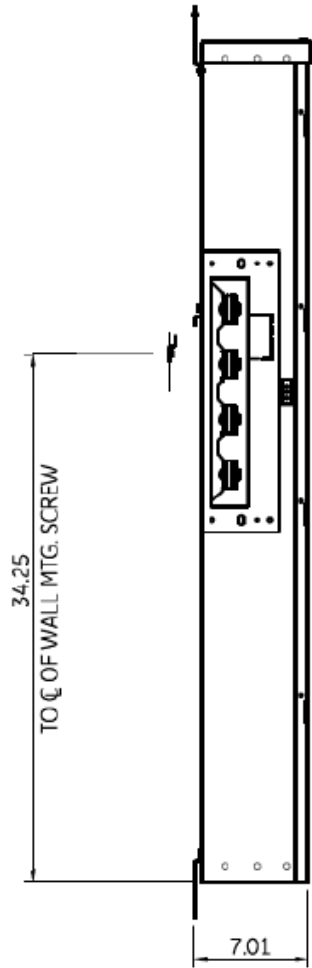
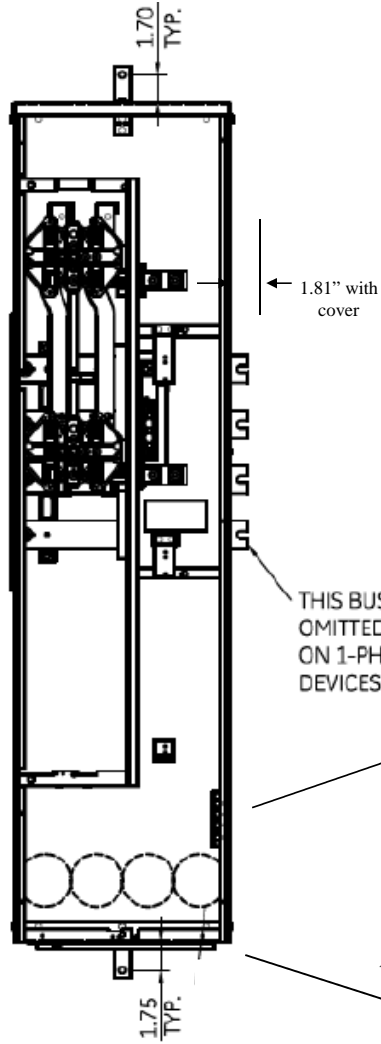


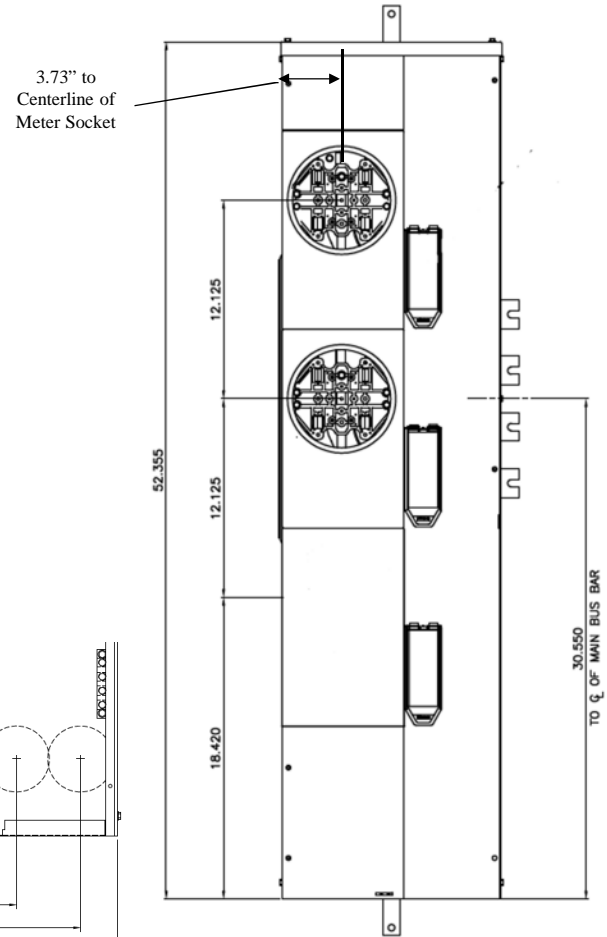
**Side View**



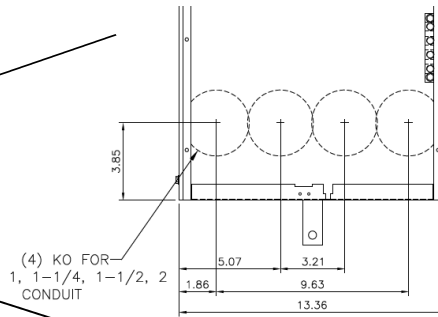
**Front View**



**Front Layout View**

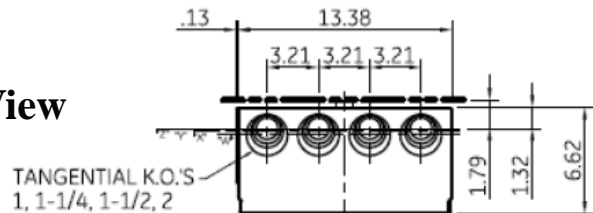


Top view has blank end walls (no knockouts)



(4) KO FOR  
1, 1-1/4, 1-1/2, 2  
CONDUIT

**Bottom View**



TANGENTIAL K.O.'S  
1, 1-1/4, 1-1/2, 2

"Z" =  $\phi$  OF 1" RING  
 "Y" =  $\phi$  OF 1-1/4" RING  
 "X" =  $\phi$  OF 1-1/2" RING  
 "W" =  $\phi$  OF 2" RING



imagination at work

METER MOD III – 1PH 800A HORIZONTAL BUSSING  
 (2) 200A RINGLESS SOCKETS – N3R ENCLOSURE

REF NO	CAT NO	DWG DATE	REV #
96-4357	TMPR8220R	1/8/2015	01