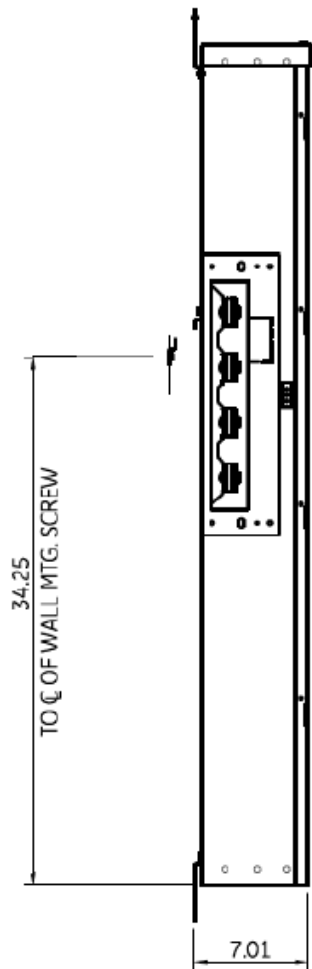
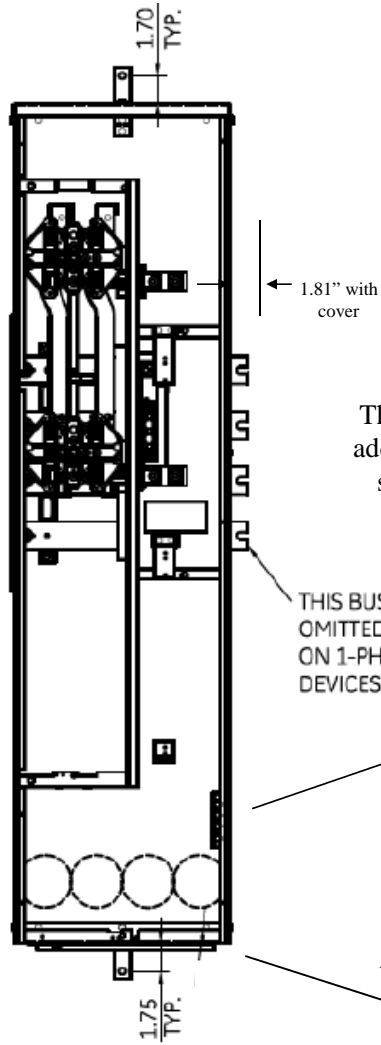


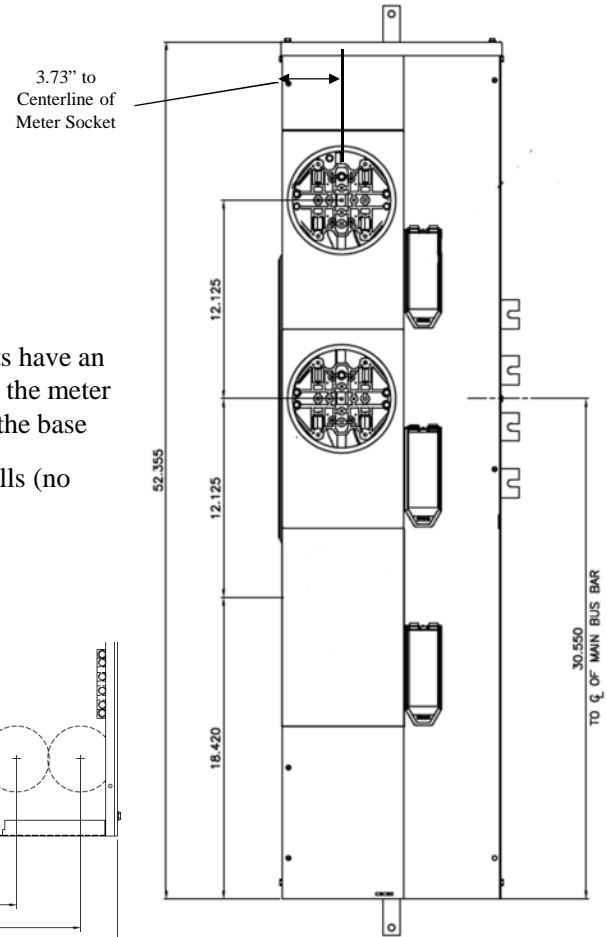
**Side View**



**Front View**



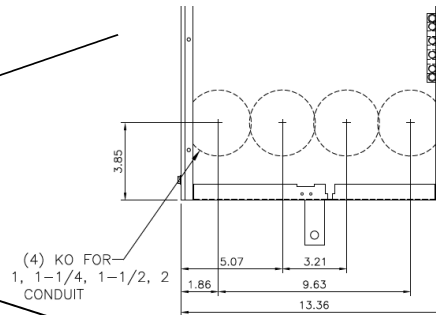
**Front Layout View**



**Notes:**

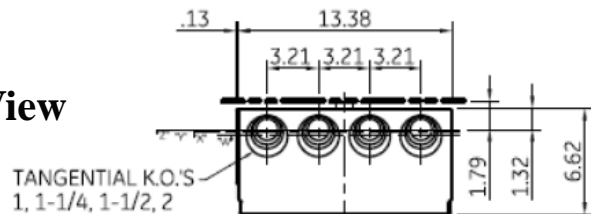
These are MEG approved units have an additional cotter pin that keeps the meter socket from detaching from the base

Top view has blank end walls (no knockouts)



(4) KO FOR  
1, 1-1/4, 1-1/2, 2  
CONDUIT

**Bottom View**



TANGENTIAL K.O.'S  
1, 1-1/4, 1-1/2, 2

"Z" =  $\phi$  OF 1" RING  
"Y" =  $\phi$  OF 1-1/4" RING  
"X" =  $\phi$  OF 1-1/2" RING  
"W" =  $\phi$  OF 2" RING



imagination at work

METER MOD III-1PH 800A HORIZONTAL BUSSING N3R ENCL  
(2) 200A RINGLESS - MEG APPROVED

REF NO	CAT NO	DWG DATE	REV #
96-4357	TMPR8220RF	1/8/2015	01