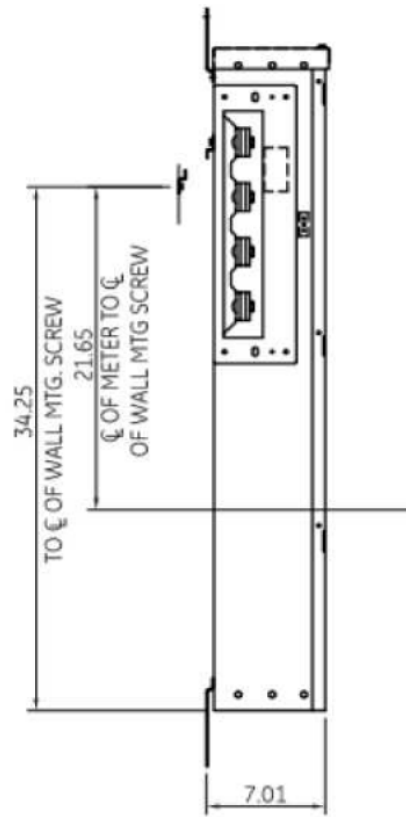
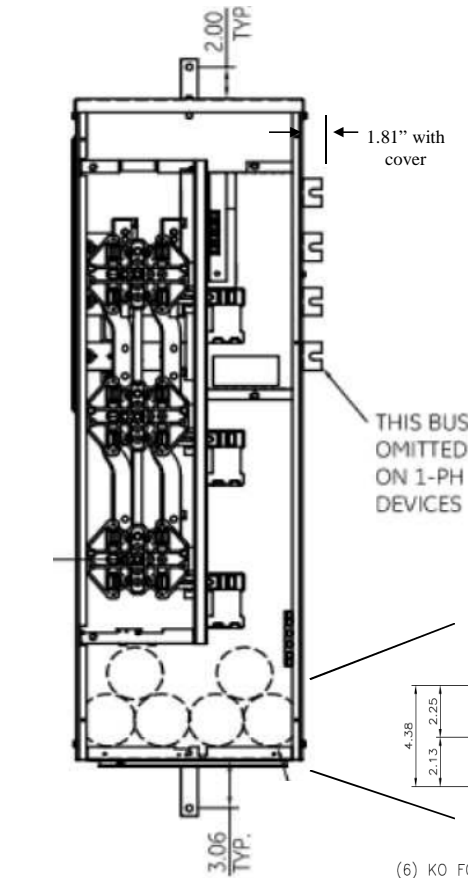


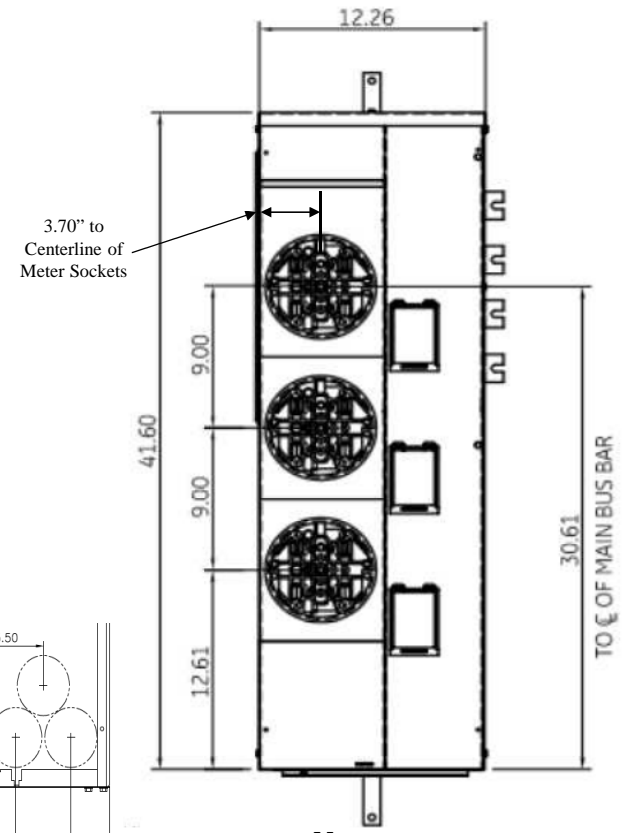
**Side View**



**Front View**



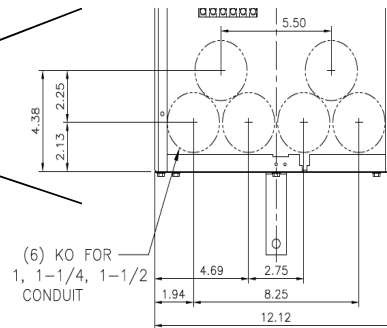
**Front Layout View**



**Notes:**

These are MEG approved units have an additional cotter pin that keeps the meter socket from detaching from the base

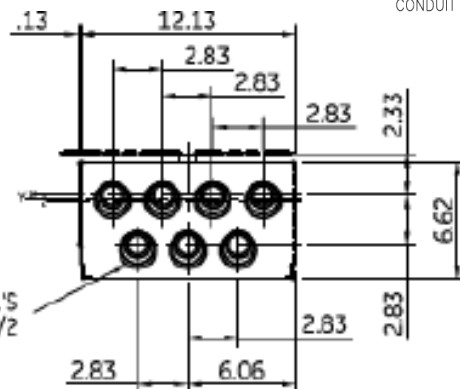
Top view has blank end walls (no knockouts)



**Bottom View**

"Z" = C OF 1-1/2" RING  
 "Y" = C OF 1-1/4" RING  
 "X" = C OF 3/4" & 1" RING

TANGENTIAL K.O.'S  
 3/4, 1, 1-1/4, 1-1/2



imagination at work

METER MOD III - 1PH 800A HORIZONTAL BUSSING  
 (3)125A RINGLESS SOCKETS-N3R ENC-MEG APPROVED

REF NO	CAT NO	DWG DATE	REV #
96-4356	TMPR8312RF	1/8/2015	01