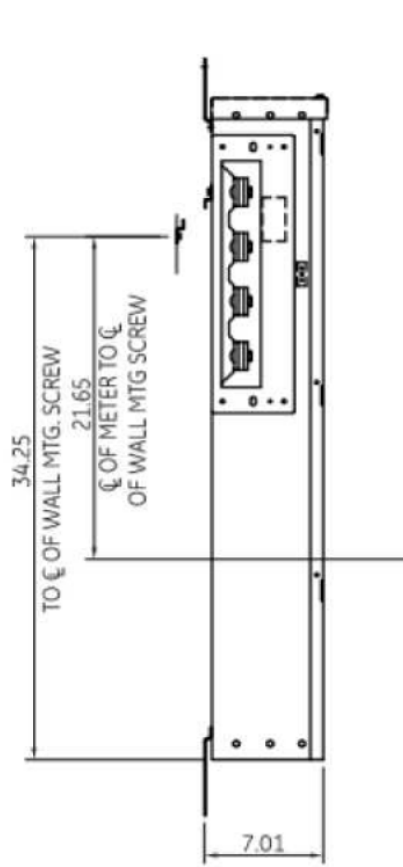
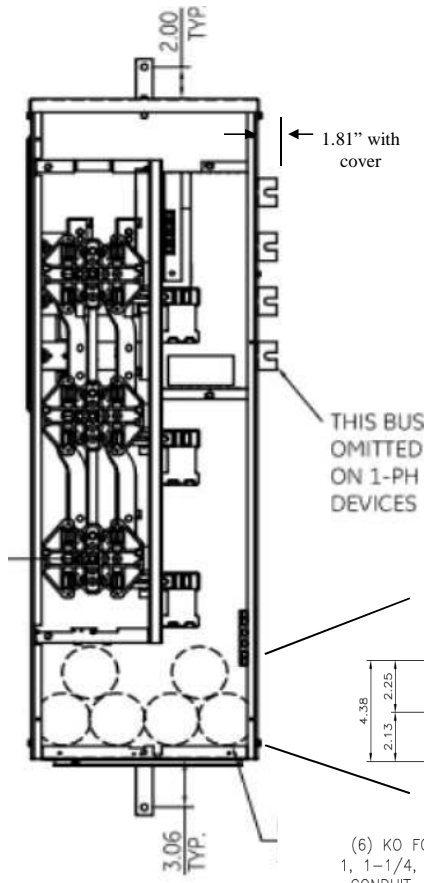


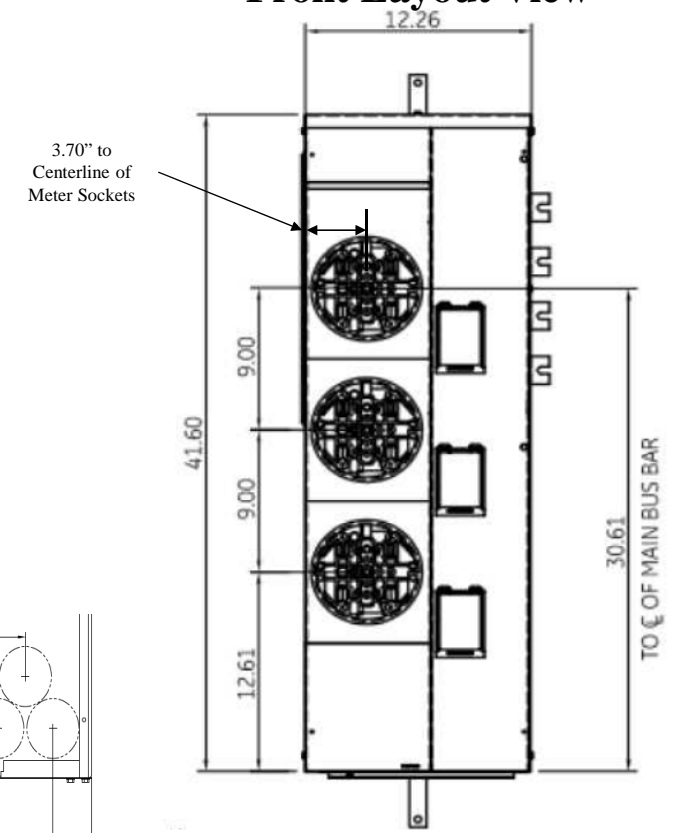
Side View



Front View

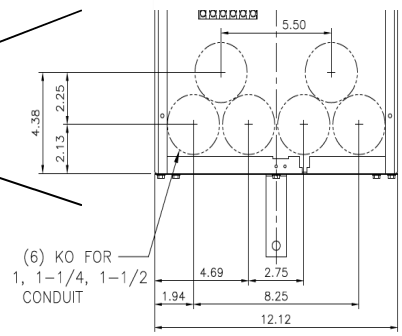


Front Layout View



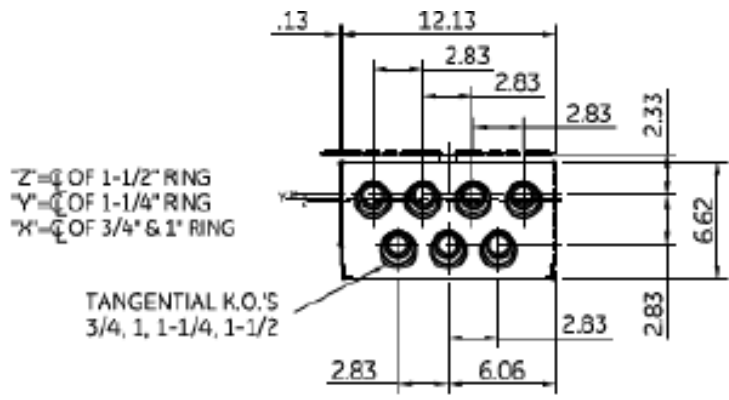
Notes:

- These are MEG approved units have an additional cotter pin that keeps the meter socket from detaching from the base
- This unit comes with horned bypass sockets
- Top view has blank end walls (no knockouts)




(6) KO FOR 1, 1-1/4, 1-1/2 CONDUIT

Bottom View



"Z" = C OF 1-1/2" RING
 "Y" = C OF 1-1/4" RING
 "X" = C OF 3/4" & 1" RING

TANGENTIAL K.O.'S
 3/4, 1, 1-1/4, 1-1/2

 **imagination at work**

METER MOD III - 1PH 800A HORIZONTAL BUSSING N3R ENCL
 (3)125A RINGLESS SOCKETS W/ HORNED BYPAS-MEG APPROVED

REF NO	CAT NO	DWG DATE	REV #
96-4356	TMPR8312RHBF	1/8/2015	01