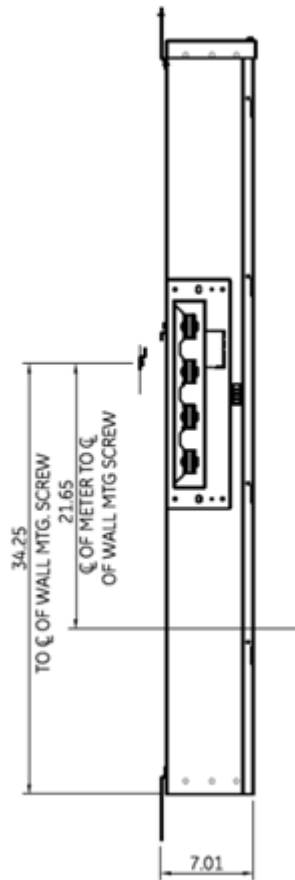
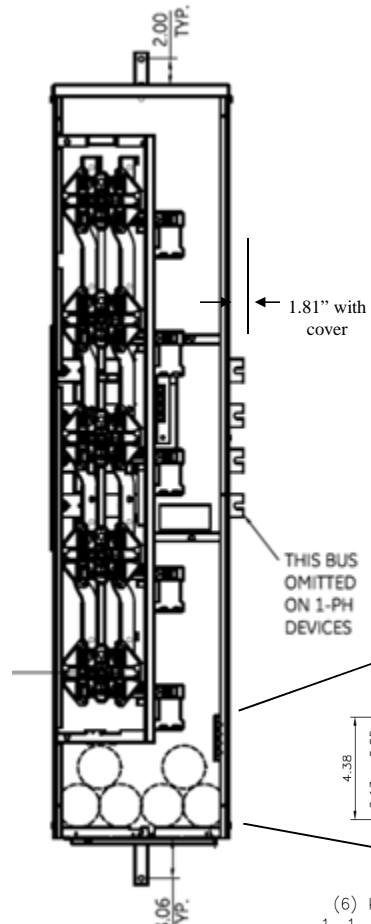


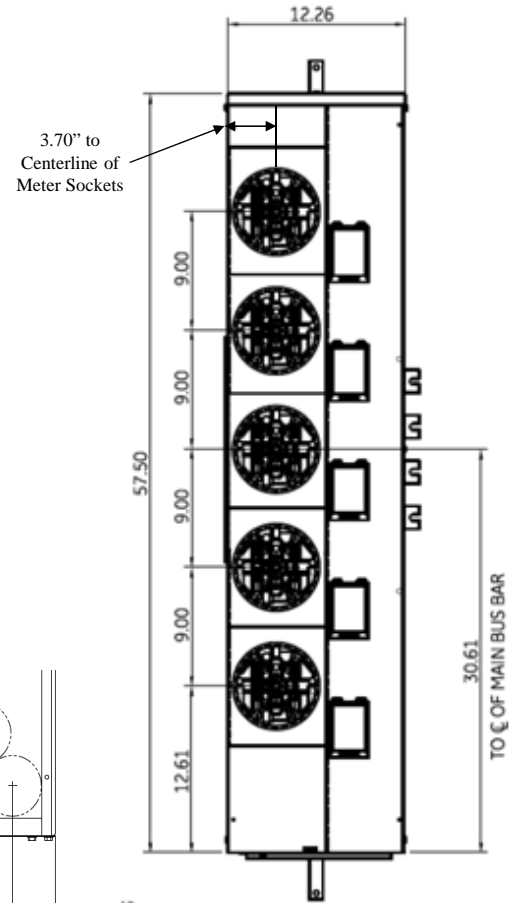
Side View



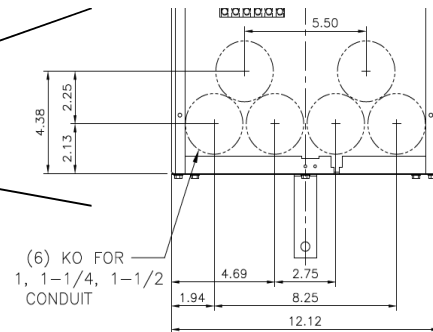
Front View



Front Layout View



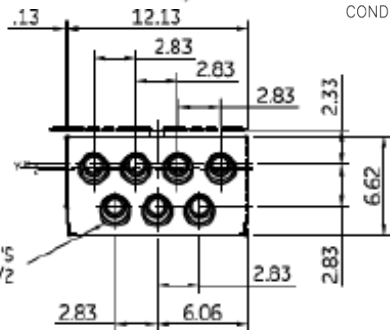
Top view has blank end walls (no knockouts)



Bottom View

Z=C OF 1-1/2" RING  
Y=C OF 1-1/4" RING  
X=C OF 3/4" & 1" RING

TANGENTIAL K.O.'S  
3/4, 1, 1-1/4, 1-1/2



imagination at work

METER MOD III - 1PH 800A HORIZONTAL BUSSING  
(5) 125A RINGLESS SOCKETS - N3R ENCLOSURE

| REF NO  | CAT NO    | DWG DATE | REV # |
|---------|-----------|----------|-------|
| 96-4356 | TMPR8512R | 1/8/2015 | 01    |