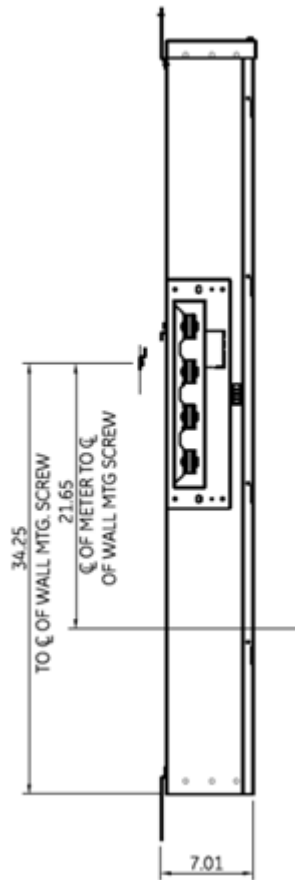
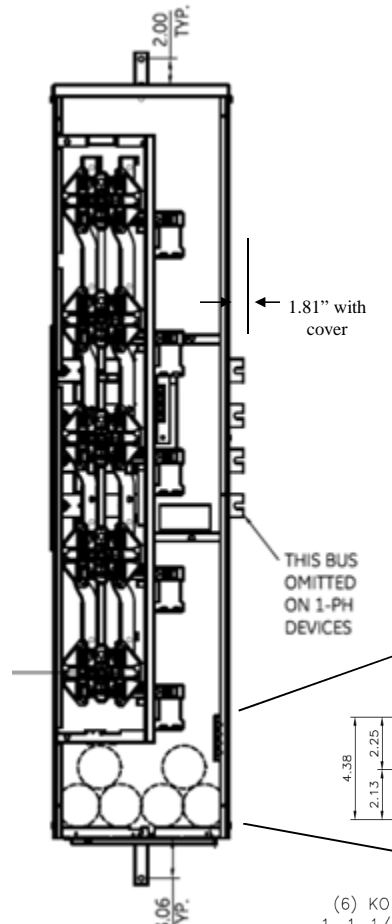


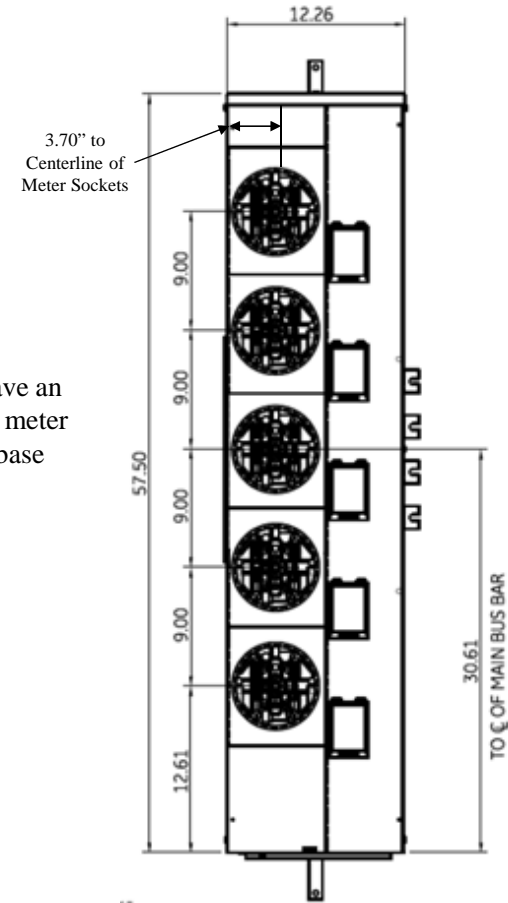
Side View



Front View



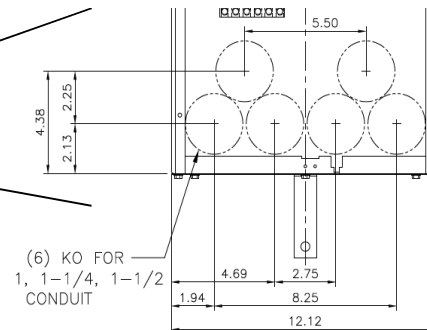
Front Layout View



Notes:

These are MEG approved units have an additional cotter pin that keeps the meter socket from detaching from the base

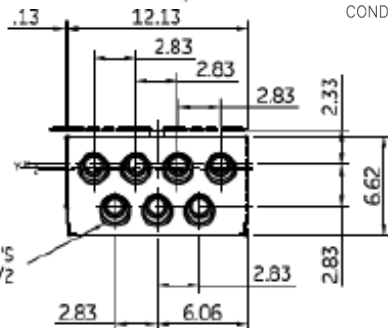
Top view has blank end walls (no knockouts)



Bottom View

Z=C OF 1-1/2" RING
Y=C OF 1-1/4" RING
X=C OF 3/4" & 1" RING

TANGENTIAL K.O.'S
3/4, 1, 1-1/4, 1-1/2



imagination at work

METER MOD III - 1PH 800A HORIZONTAL BUSSING
(5) 125A RINGLESS SOCKETS - N3R - MEG APPROVED

REF NO	CAT NO	DWG DATE	REV #
96-4356	TMPR8512RF	1/8/2015	01