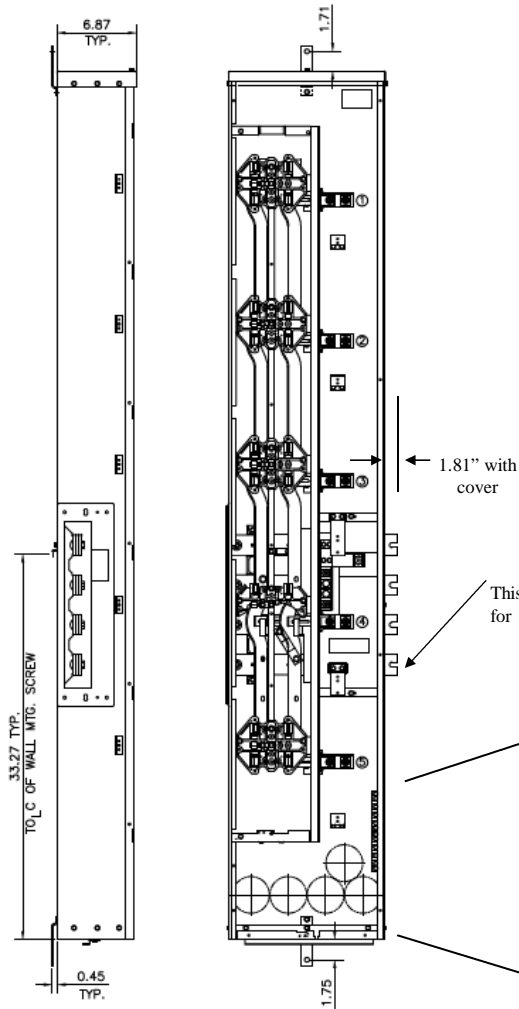


Side View Front View



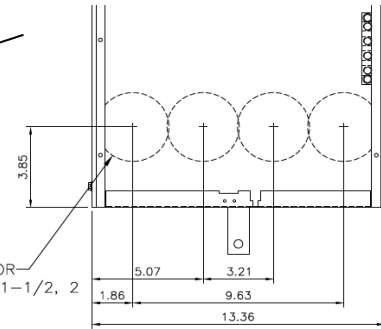
This bus omitted for 1PH devices

Notes:

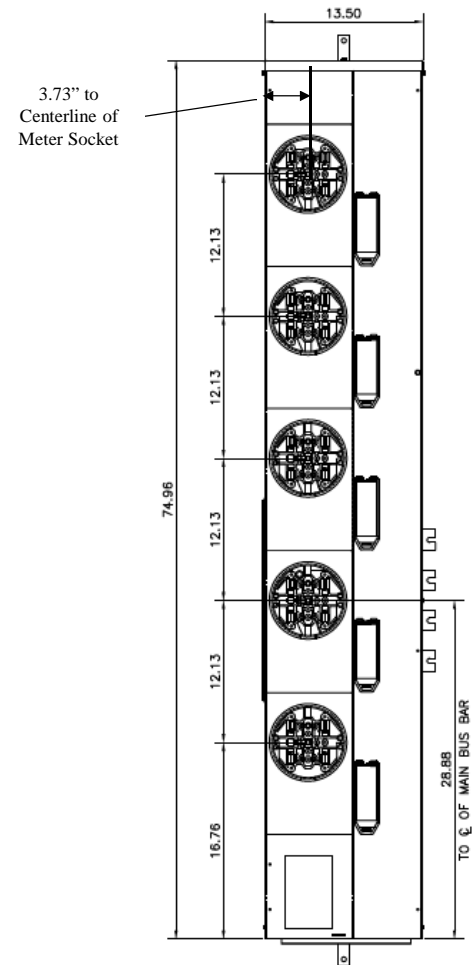
These are MEG approved units have an additional cotter pin that keeps the meter socket from detaching from the base

Top view has blank end walls (no knockouts)

(4) KO FOR
1, 1-1/4, 1-1/2, 2
CONDUIT

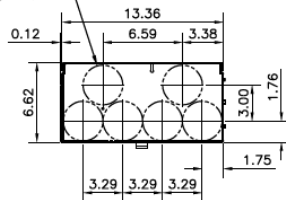


Front Layout View



Bottom View

(6) CONCENTRIC K.O.'S
1", 1-1/4", 1-1/2", 2"



imagination at work

METER MOD III - 1PH 800A HORIZONTAL BUSSING
(5) 200A RINGLESS SOCKETS - N3R - MEG APPROVED

REF NO	CAT NO	DWG DATE	REV #
96-6084	TMPR8520RF	1/8/2015	01