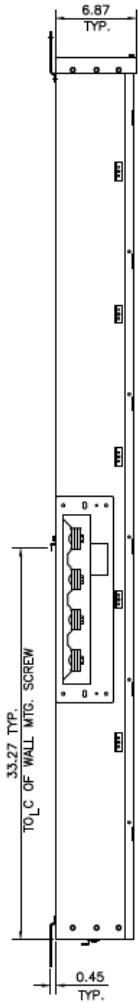
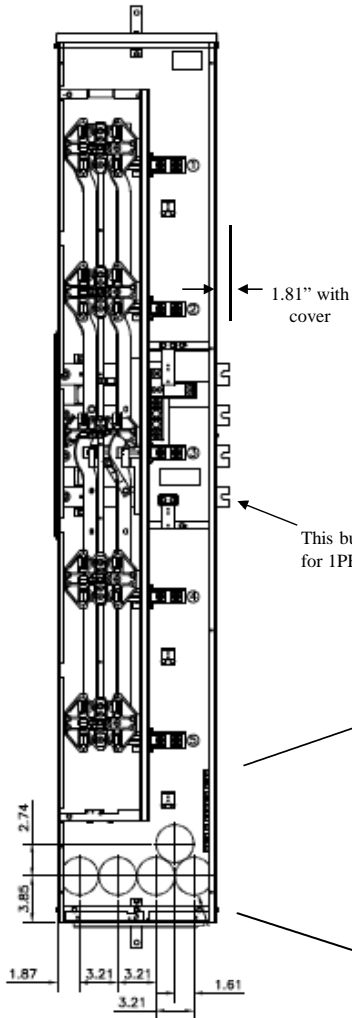


Side View



Front View



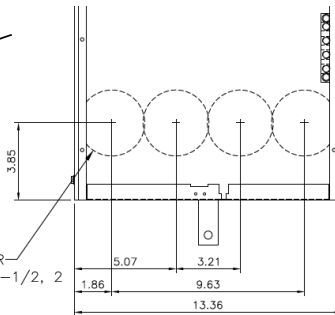
This bus omitted for 1PH devices

This unit has horned bypass meter sockets

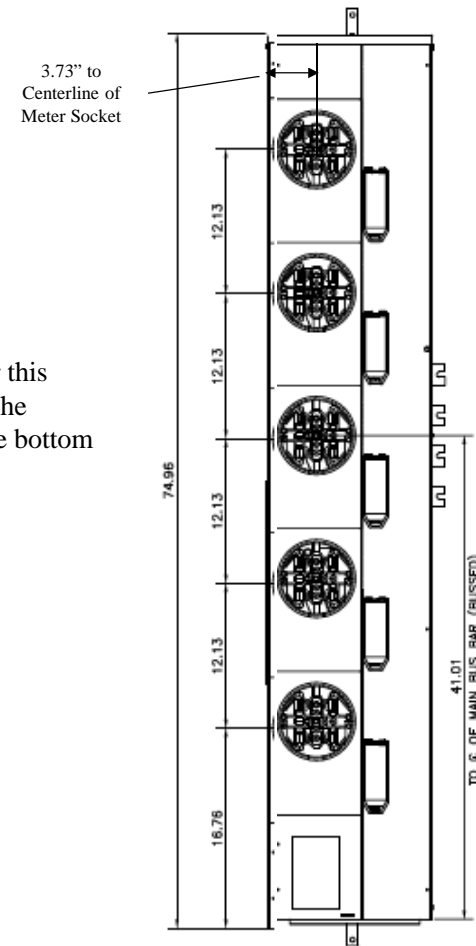
Top view has blank end walls (no knockouts)

Centerline of horizontal bussing for this unit is 41.01" from the bottom. The TMPR8520RHB unit is 28.88" from the bottom

(4) KO FOR 1, 1-1/4, 1-1/2, 2 CONDUIT

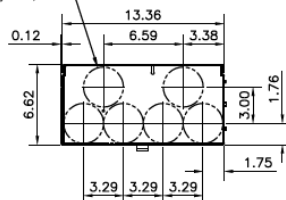


Front Layout View



Bottom View

(6) CONCENTRIC K.O.'S 1", 1-1/4", 1-1/2", 2"



METER MOD III - 1PH 800A HORIZONTAL BUSSING N3R ENCL (5)200A RGLSS SOCKETS W/HORNED BYPASS HIGH BUS C-LINE

REF NO	CAT NO	DWG DATE	REV #
96-6084	TMPR8520RHBBUS	1/8/2015	01