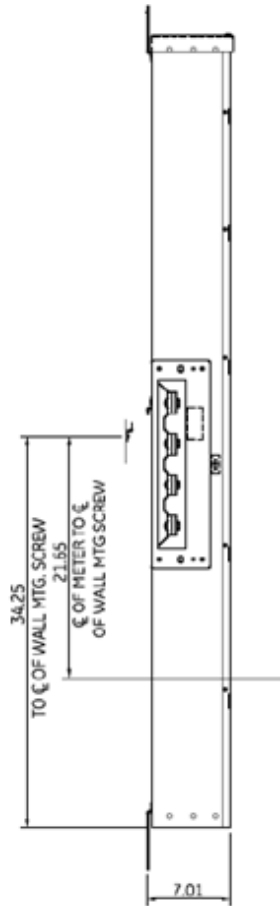
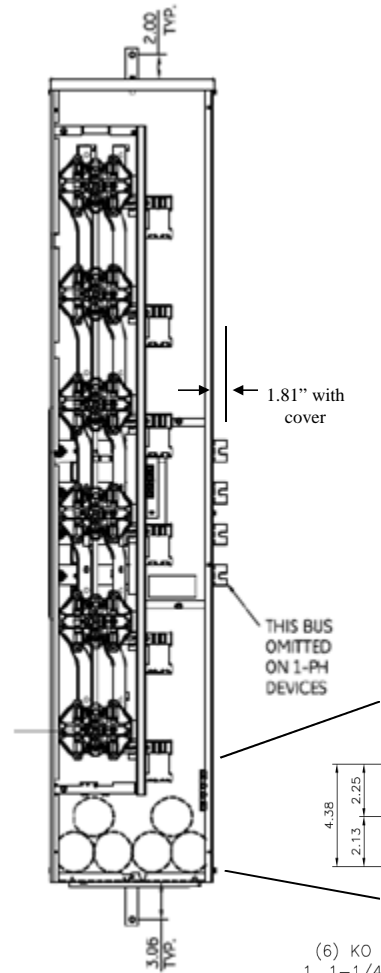


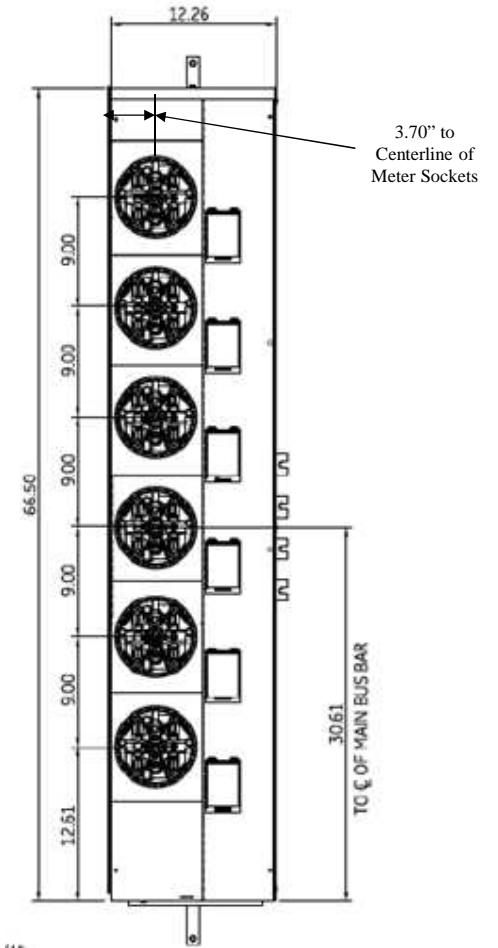
Side View



Front View



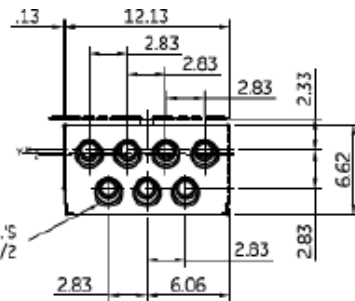
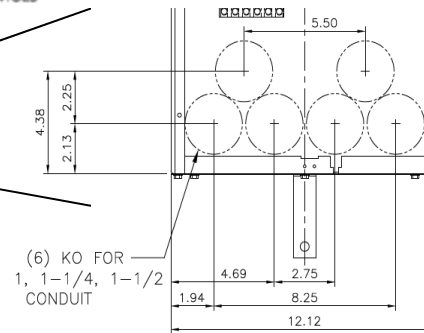
Front Layout View



Notes:

These are MEG approved units have an additional cotter pin that keeps the meter socket from detaching from the base

Top view has blank end walls (no knockouts)



Z=C OF 1-1/2" RING
 Y=C OF 1-1/4" RING
 X=C OF 3/4" & 1" RING

TANGENTIAL K.O.'S
 3/4, 1, 1-1/4, 1-1/2



METER MOD III – 1PH 800A HORIZONTAL BUSSING
 (6) 125A RINGLESS SOCKETS – N3R – MEG APPROVED

| REF NO | CAT NO | DWG DATE | REV # |
|---------|------------|----------|-------|
| 96-4356 | TMPR8612RF | 1/8/2015 | 01 |

Bottom View