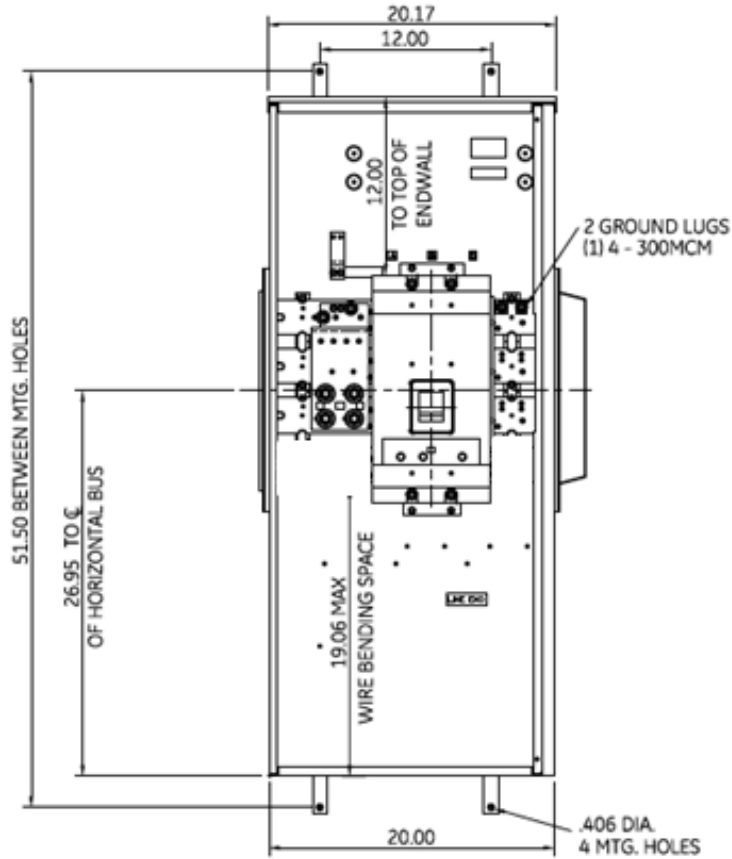
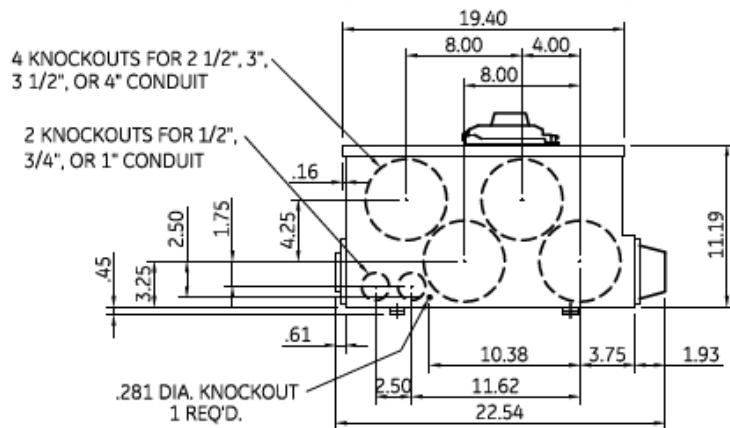
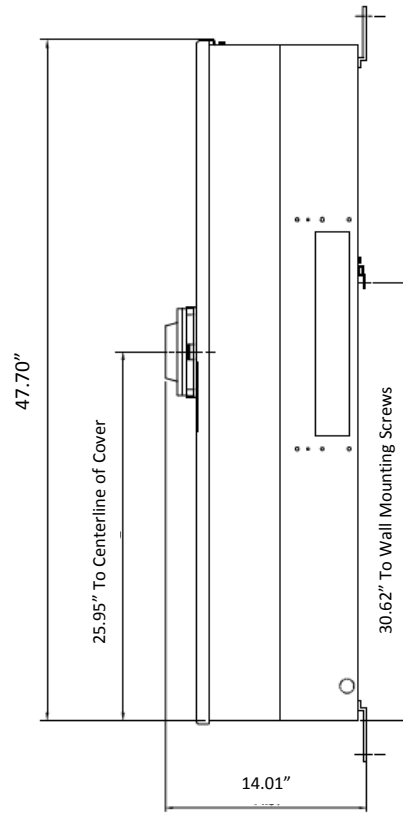


Front View



Side View



Bottom View

Incoming Cable Sizes:

- Phase (AL): (4) 250-500MCM/ Phase
- Phase (CU): (4) 250-500MCM/ Phase
- Neutral (AL/CU): (4) 250-500MCM



imagination at work

METER MOD III-1000A MAIN BREAKER SECT N3R ENCL
65KAIC 1PH 3W 120/240V TOP/BOTTOM FEED

REF NO	CAT NO	DWG DATE	REV #
96-2631	TMPSB10R	1/8/2015	01