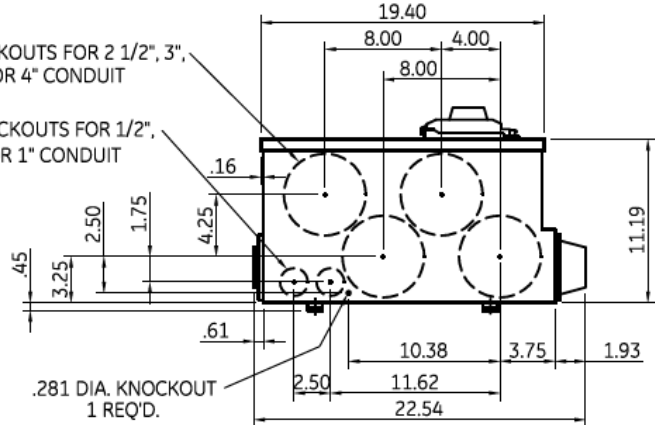


**Front View**



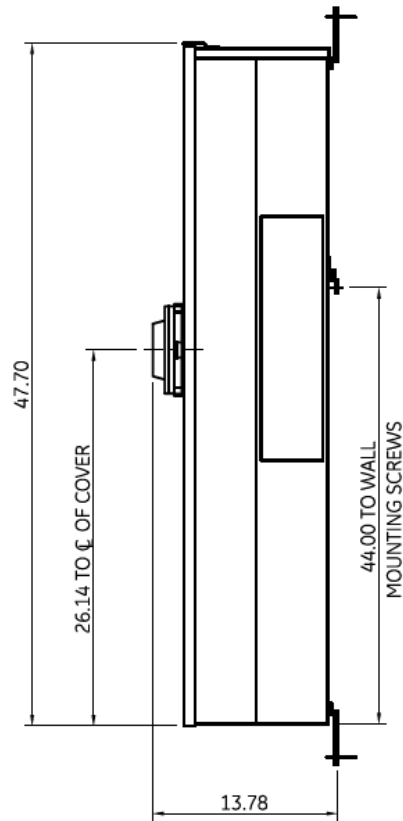
4 KNOCKOUTS FOR 2 1/2", 3", 3 1/2", OR 4" CONDUIT

2 KNOCKOUTS FOR 1/2", 3/4", OR 1" CONDUIT



**Bottom View**

**Side View**



**Incoming Cable Sizes:**

- Phase (Al): (2) 2/0-500MCM/ Phase  
-or-  
(1) #6-600MCM/Phase
- Phase (CU): (2) 2/0-400MCM/Phase  
-or-  
(1) # 6-600MCM/Phase
- Neutral (AL/CU): (2) #2-600MCM



imagination at work

METER MOD III-400A MAIN BREAKER SECT N3R ENCL  
65KAIC 1PH 3W 120/240V TOP/BOTTOM FEED

REF NO	CAT NO	DWG DATE	REV #
96-2558	TMPSB4R	1/8/2015	01