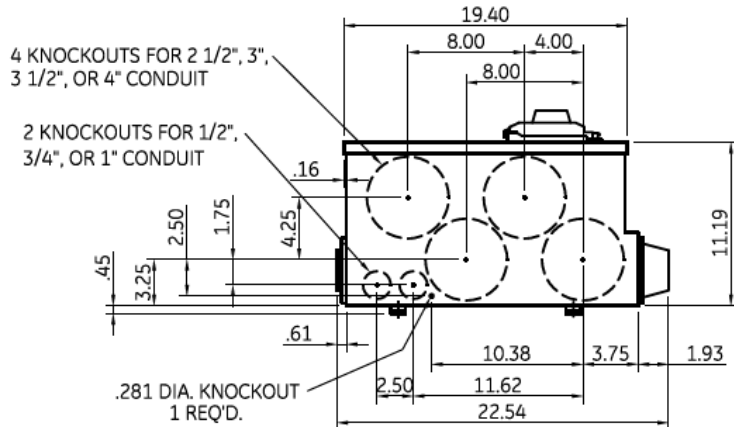
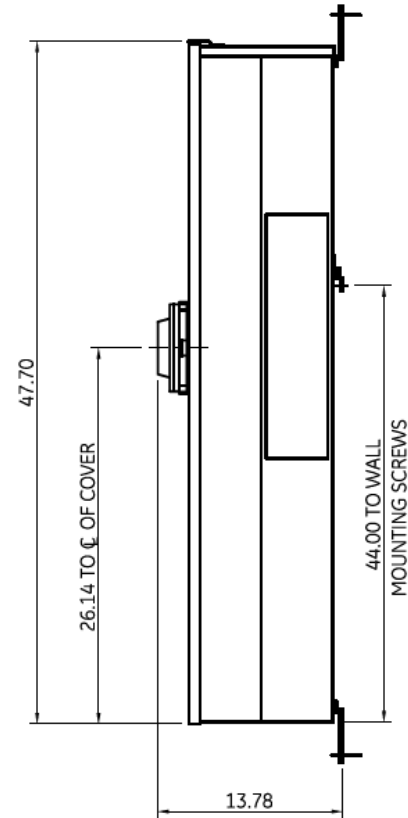


**Front View**



**Side View**



**Bottom View**

**Incoming Cable Sizes:**

- Phase (Al): (2) 2/0-500MCM/ Phase  
-or-  
(1) #6-600MCM/Phase
- Phase (CU): (2) 2/0-400MCM/Phase  
-or-  
(1) # 6-600MCM/Phase
- Neutral (AL/CU): (2) #2-600MCM



imagination at work

METER MOD III-600A MAIN BREAKER SECT N3R ENCL  
100KAIC 1PH 3W 120/240V TOP/BOTTOM FEED

REF NO	CAT NO	DWG DATE	REV #
96-2558	TMPSHB6R	1/8/2015	01