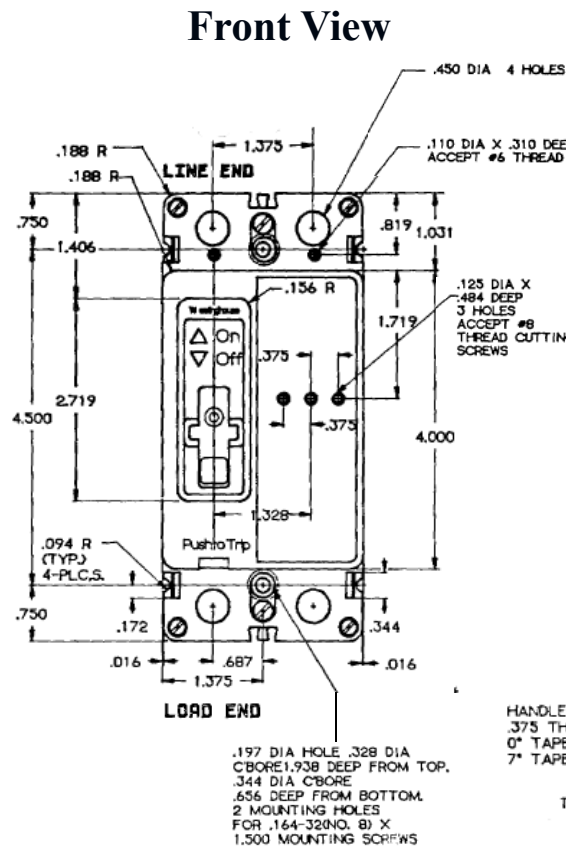
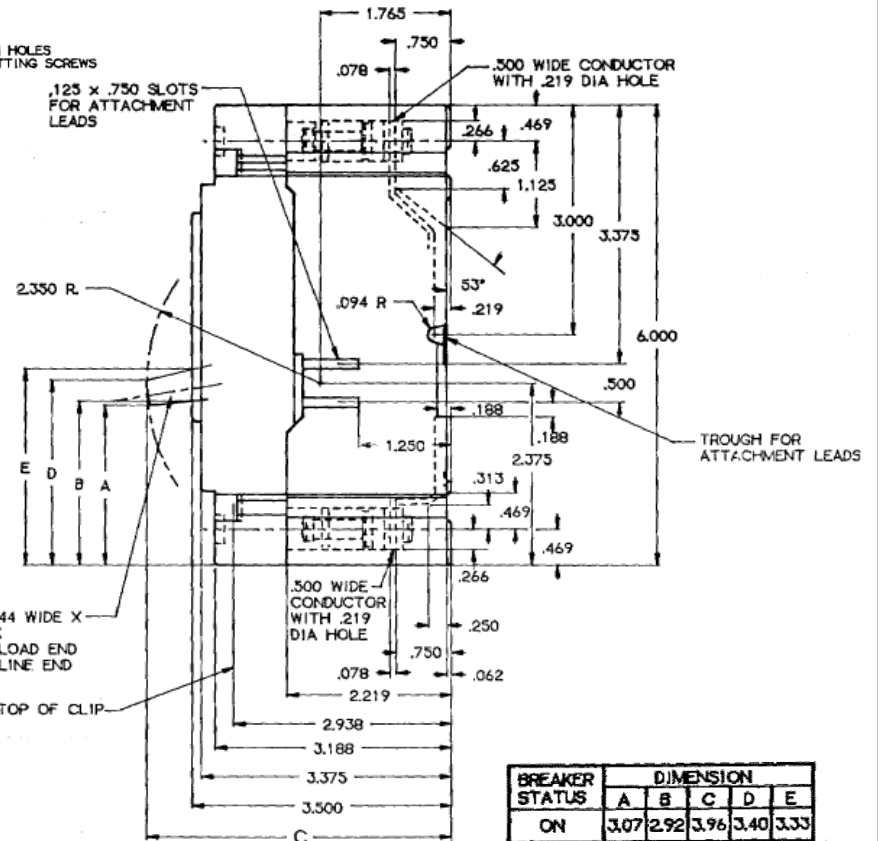


Top View



LOAD END

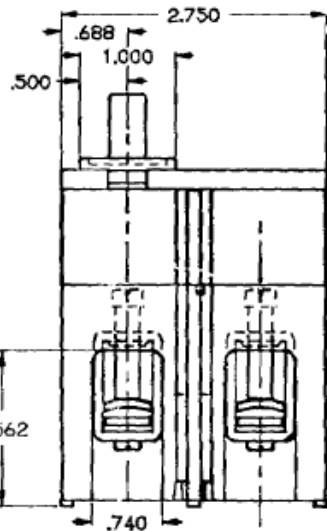
Side View



HANDLE: .344 WIDE X .375 THICK 0° TAPER, LOAD END 7° TAPER, LINE END

TO TOP OF CLIP

| BREAKER STATUS | DIMENSION |      |      |      |      |
|----------------|-----------|------|------|------|------|
|                | A         | B    | C    | D    | E    |
| ON             | 3.07      | 2.92 | 3.96 | 3.40 | 3.33 |
| TRIPPED        | 2.63      | 2.57 | 4.06 | 2.99 | 2.98 |
| OFF            | 2.06      | 2.14 | 4.12 | 2.42 | 2.56 |
| RESET          | 1.98      | 2.03 | 4.11 | 2.30 | 2.48 |



Bottom View

| Breaker Amps | Load Side Wire Range Size |
|--------------|---------------------------|
| 60A          | (1) #14 - 1/0 (AL/CU)     |

MM suffix provides mounting hardware for Residential Meter stacks. Hardware comes in separate bag in the field



imagination at work

60A 2P TMQV BREAKER 100K @ 120/240V  
FOR USE WITH GE METER STACKS -200A & 225A SOCKETS

| REF NO  | CAT NO      | DWG DATE   | REV # |
|---------|-------------|------------|-------|
| 1490D62 | TMQV22060MM | 11/05/2015 | 01    |