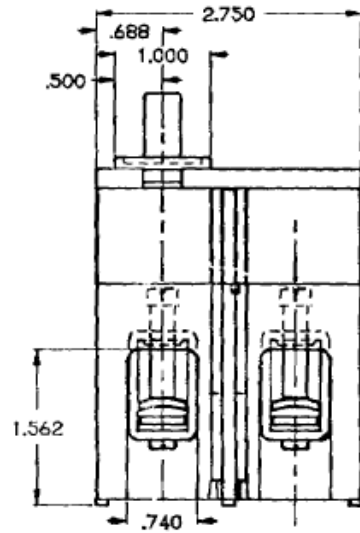
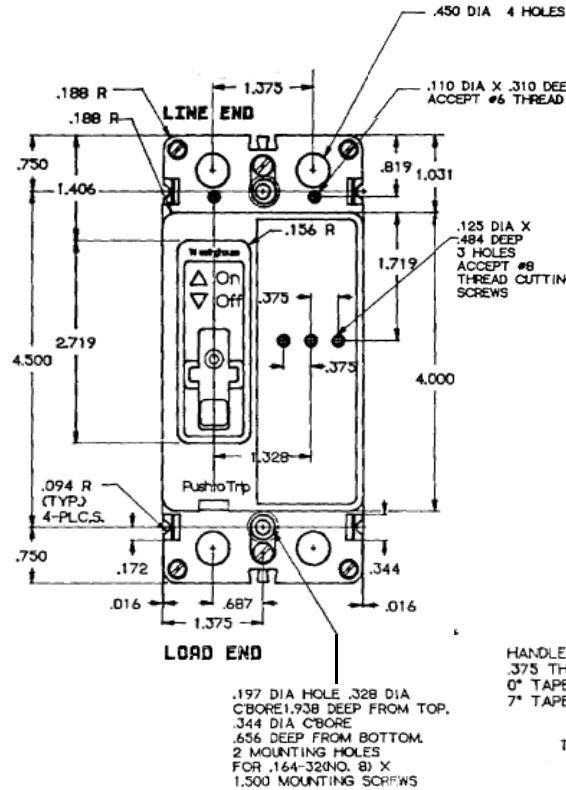


Top View

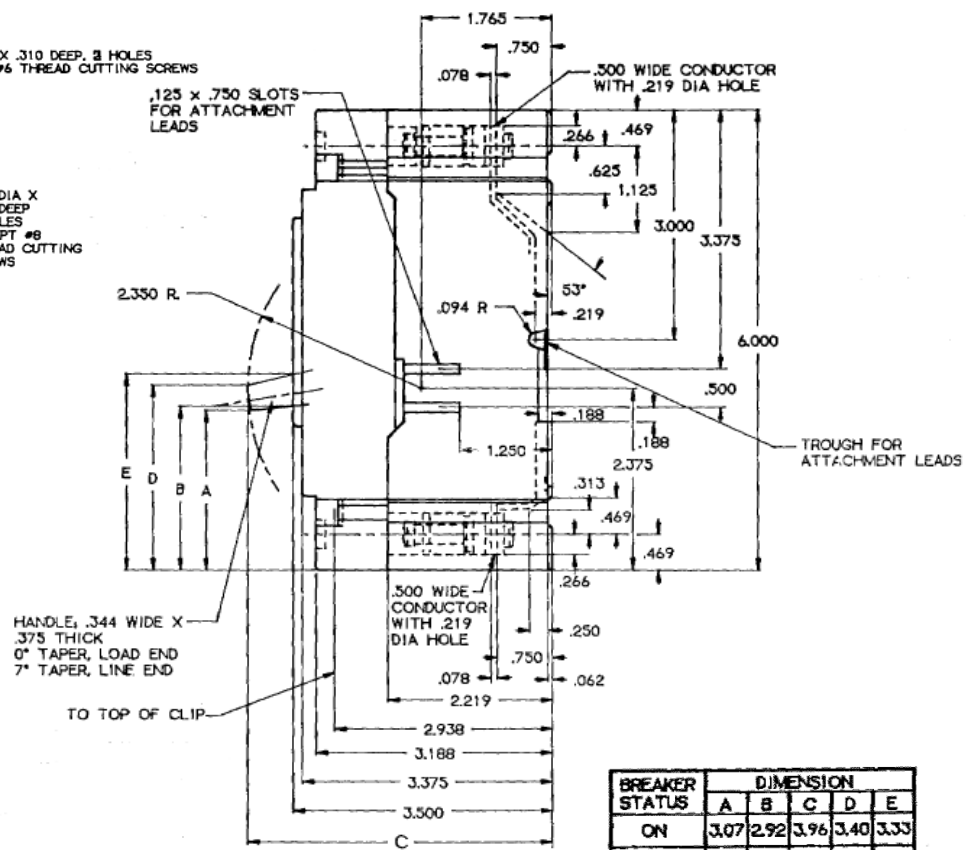


Bottom View

Front View



Side View



Breaker Amps	Load Side Wire Range Size
60-225A	(1) # 6 - 4/0 (CU/AL)*

*Order part # TMQV225L2 to extend the load wire size range up to 300MCM. This kit includes a terminal shield

BREAKER STATUS	DIMENSION				
	A	B	C	D	E
ON	3.07	2.92	3.96	3.40	3.33
TRIPPED	2.63	2.57	4.06	2.99	2.98
OFF	2.08	2.14	4.12	2.42	2.56
RESET	1.98	2.03	4.11	2.30	2.48



imagination at work

80A 2P TMQV BREAKER 100K @ 120/240V
FOR USE WITH GE METER STACKS -200A & 225A SOCKETS

REF NO	CAT NO	DWG DATE	REV #
1490D62	TMQV22080	11/05/2015	01