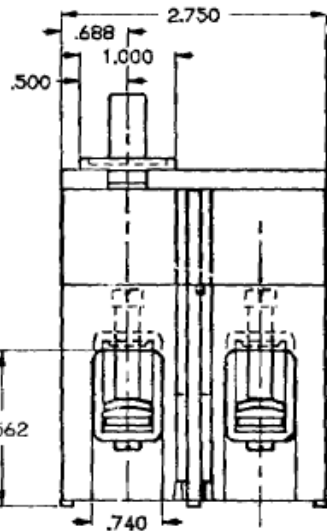
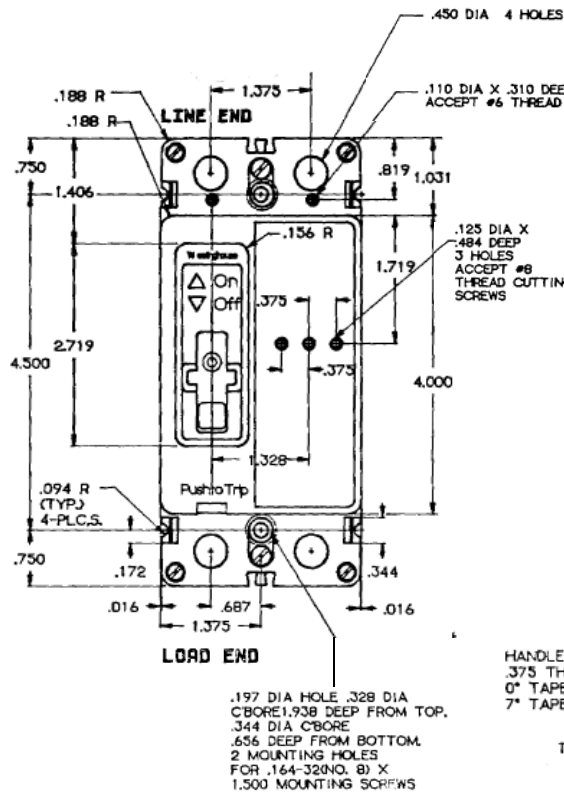


Top View

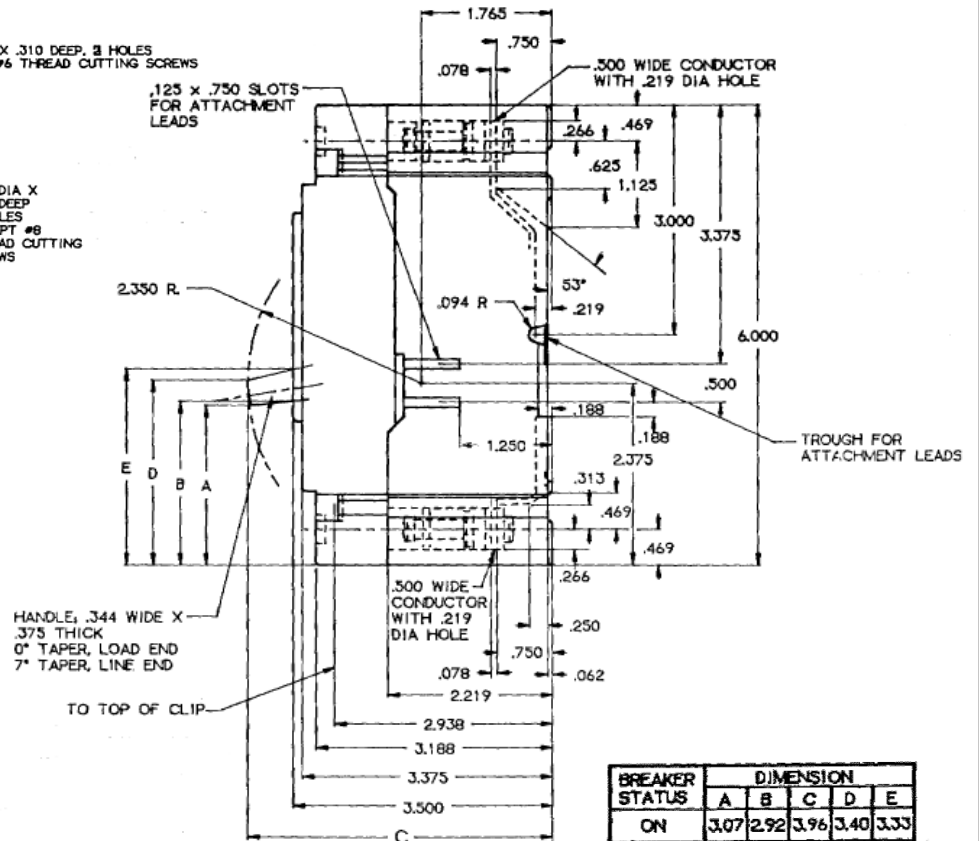


Bottom View

Front View



Side View



Breaker Amps	Load Side Wire Range Size
225A	(1) #4 - 4/0 (AL/CU)*

BREAKER STATUS	DIMENSION				
	A	B	C	D	E
ON	3.07	2.92	3.96	3.40	3.33
TRIPPED	2.63	2.57	4.06	2.99	2.98
OFF	2.06	2.14	4.12	2.42	2.56
RESET	1.98	2.03	4.11	2.30	2.48

\*Order part # TMQV225L2 to extend the load wire size range up to 300MCM. This kit includes a terminal shield

MM suffix provides mounting hardware for Residential Meter stacks. Hardware comes in separate bag in the field



imagination at work

225A 2P TMQV BREAKER 100K @ 120/240V FOR USE WITH GE METER STACKS -225A SOCKETS

REF NO	CAT NO	DWG DATE	REV #
1490D62	TMQV22225MM	11/05/2015	01