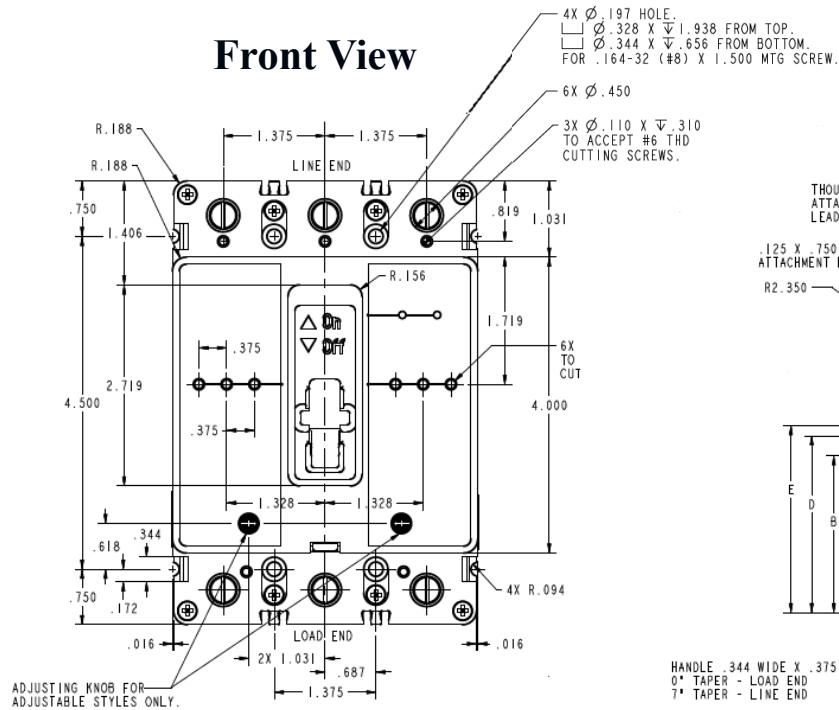
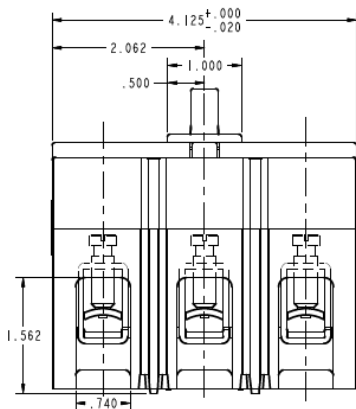
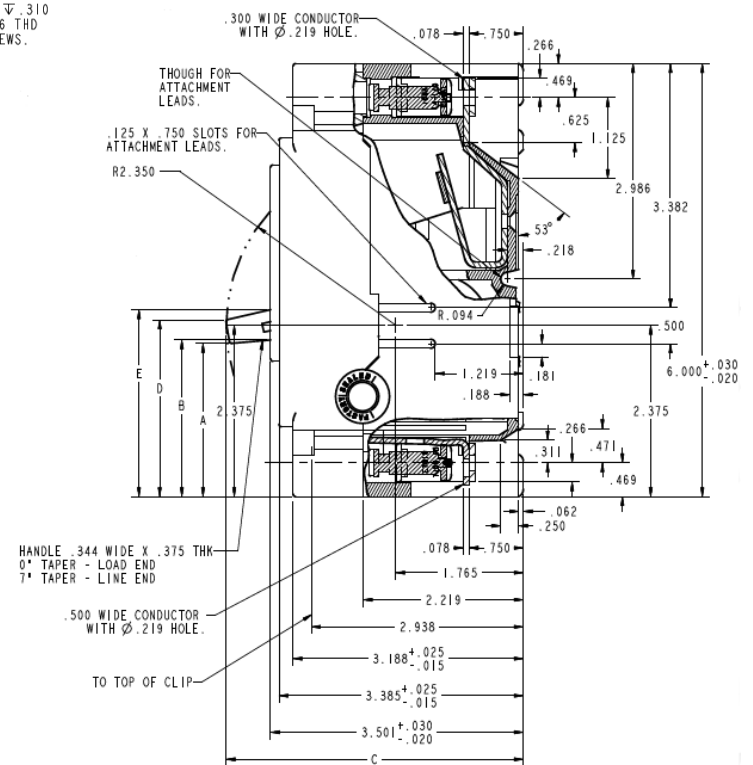


**Top View**



**Side View**



**Bottom View**

| Breaker Amps | Load Side Wire Range Size |
|--------------|---------------------------|
| 110A         | (1) #4 - 4/0 (AL/CU)      |

| BREAKER STATUS | DIMENSION |      |      |      |      |
|----------------|-----------|------|------|------|------|
|                | A         | B    | C    | D    | E    |
| ON             | 3.07      | 2.92 | 3.96 | 3.40 | 3.33 |
| TRIPPED        | 2.65      | 2.57 | 4.06 | 2.99 | 2.98 |
| OFF            | 2.08      | 2.14 | 4.12 | 2.42 | 2.56 |
| RESET          | 1.98      | 2.05 | 4.11 | 2.30 | 2.48 |



imagination at work

110A 3P TMQV BREAKER 100K @ 208Y/120V  
FOR USE WITH GE METER STACKS -200A & 225A SOCKETS

| REF NO  | CAT NO    | DWG DATE   | REV # |
|---------|-----------|------------|-------|
| 1490D63 | TMQV32110 | 11/05/2015 | 01    |