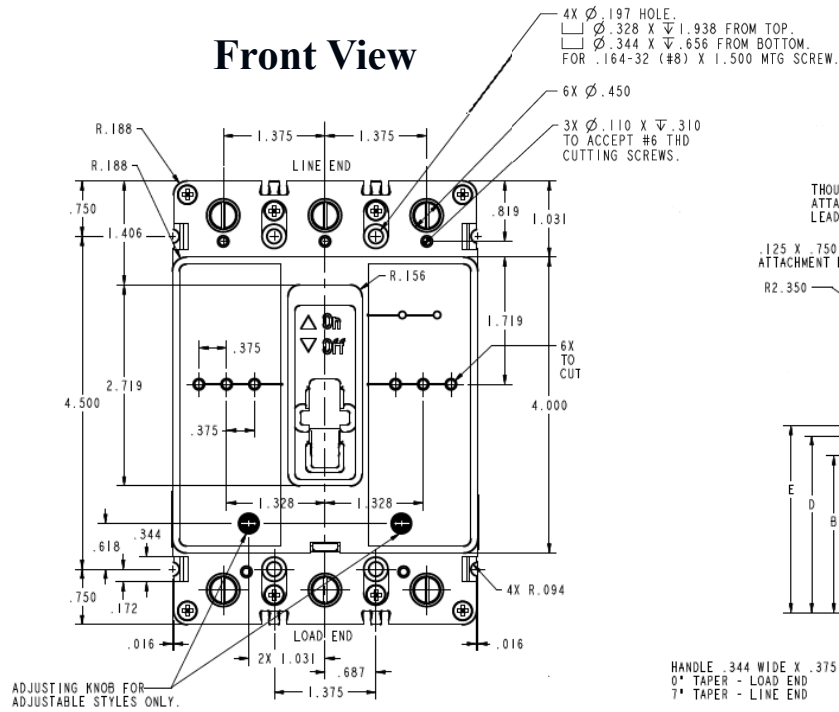
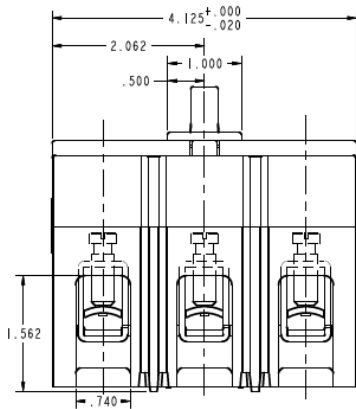
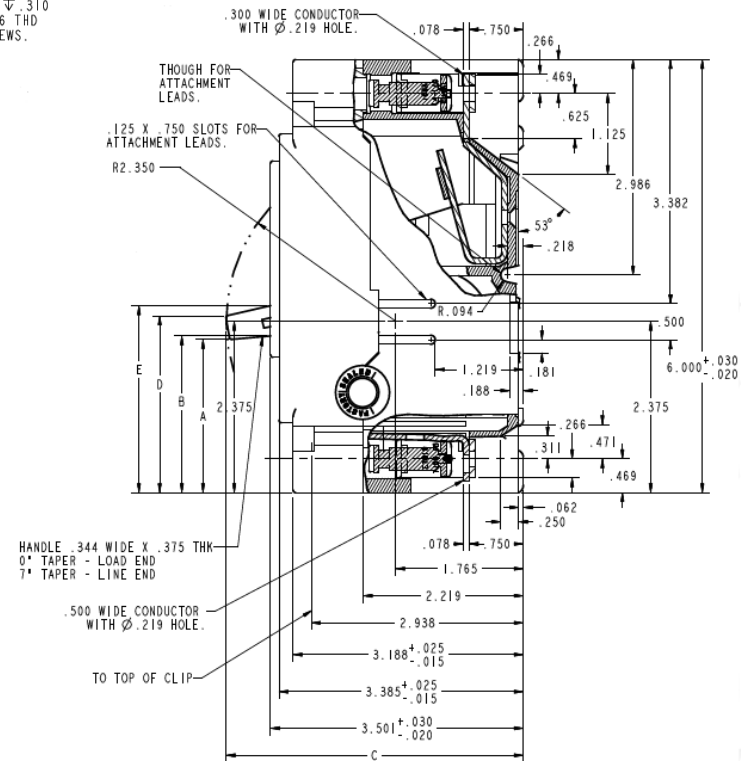


**Top View**



**Side View**



**Bottom View**

Breaker Amps	Load Side Wire Range Size
200A	(1) #4 - 4/0 (AL/CU)*

\*Order part # TMQV225L3 to extend the load wire size range up to 300MCM. This kit includes a terminal shield

BREAKER STATUS	DIMENSION				
	A	B	C	D	E
ON	3.07	2.92	3.96	3.40	3.33
TRIPPED	2.65	2.57	4.06	2.99	2.98
OFF	2.08	2.14	4.12	2.42	2.56
RESET	1.98	2.05	4.11	2.30	2.48



**imagination at work**

200A 3P TMQV BREAKER 100K @ 208Y/120V  
FOR USE WITH GE METER STACKS -200A & 225A SOCKETS

REF NO	CAT NO	DWG DATE	REV #
1490D63	TMQV32200	11/05/2015	01