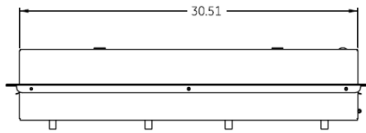


Top View



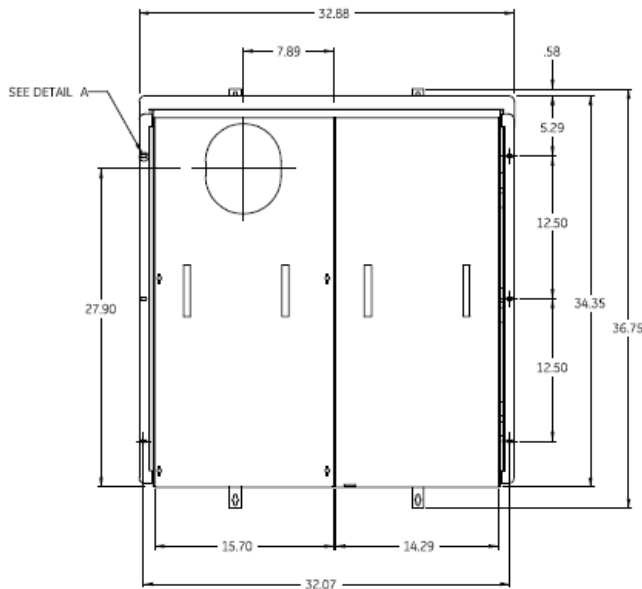
Main Wire Size Terminals

1/2" Studs Provisions for UL Listed One or Two Hole NEMA Mounting Terminals
 Compression Terminals Limited to 800 KCMIL Single Conductor, HOMAC Series AL-NTN, AL-TN or Equivalent.
 Compression Terminals Limited to 400 KCMIL for Stacking Lugs, HOMAC Series ASL-NTN or Equivalent.
 Pressure Terminals Limited to 1000 KCMIL Single Conductor, ILSCO Type TA or Equivalent.
 Pressure Terminals Limited to 350 KCMIL Single Conductor, ILSCO Type AU or Equivalent.

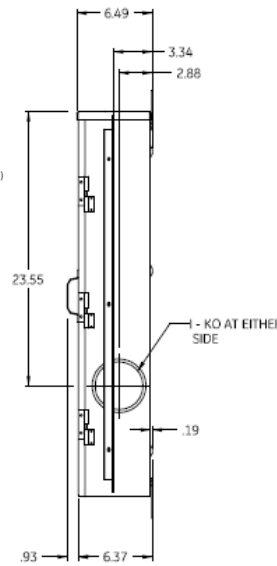
Notes

Utility main breaker (A2N) factory installed. Optional secondary main can be field installed

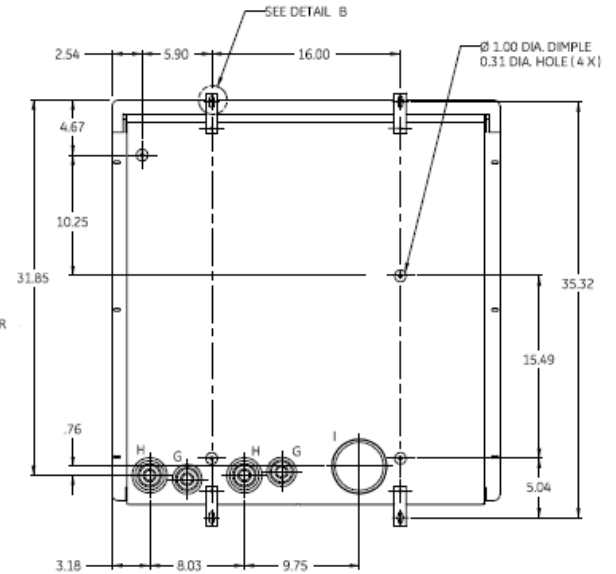
Front View



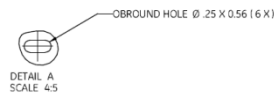
Side View



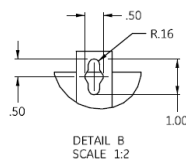
Back View



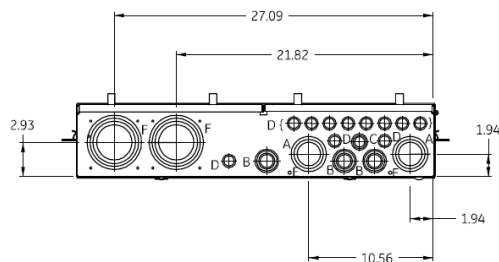
Detail A



Detail B



Bottom View



Note : All Dimensions have ±0.125 Tolerance

LETTER	DESCRIPTION	QTY
A	1 1/2 x 2 x 2 1/2 KO	2
B	3/4 x 1 x 1 1/4 x 1 1/2 KO	3
C	1/2 x 3/4 x 1 KO	1
D	1/2 x 3/4 KO	11
E	9/32 KO	2
F	2 1/2 x 3 x 3 1/2 x 4 KO	2
G	1/2 x 3/4 x 1 1/4 x 1 1/2 x 2 KO	2
H	1/2 x 3/4 x 1 1/4 x 1 1/2 x 2 x 2 1/2 KO	2
I	3 1/2 x 4 KO	3

MODEL : 2



Main Breaker-A2N,THQL/THQL - Ring - 320A - 22K - 0/0 Circuits - N3R
 Encl Surface/Semi Front-Side-by-Side- UG Incoming Feed - EUSERC

CAT NO

DWG DATE

REV #

TSD032UFCU

11/27/2020

01