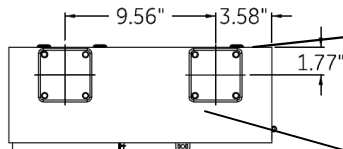
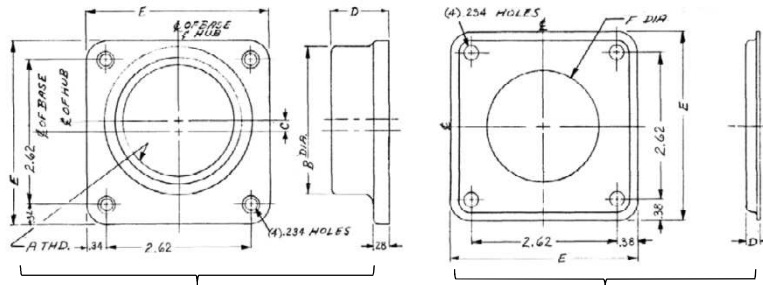


Top View



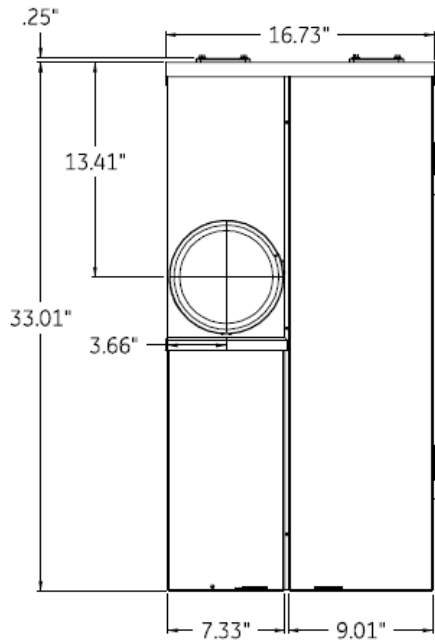
Hub Dimensions



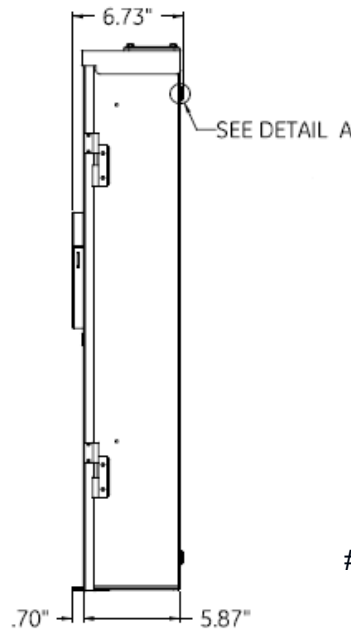
Available Hubs

Cat#	Mod#	A-THD	B-DIA	C	D	E
TC75	2	"3/4-14"	1.31	0.81	1.03	3.31
TC100	2	"1-11 1/2"	1.53	0.69	1.03	3.31
TC125	2	"1 1/4-11 1/2"	1.88	0.53	1.03	3.31
TC150	2	"1 1/2-11 1/2"	2.12	0.42	1.03	3.31
TC200	2	"2-11 1/2"	2.62	0.2	1.03	3.31
TC250	2	"2 1/2-8"	3.19	NONE	1.22	3.31
TCCP Closing Cap	1	NONE	NONE	NONE	0.25	3.38

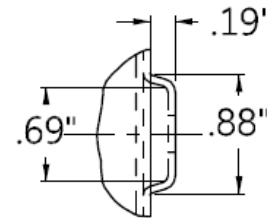
Front View



Side View

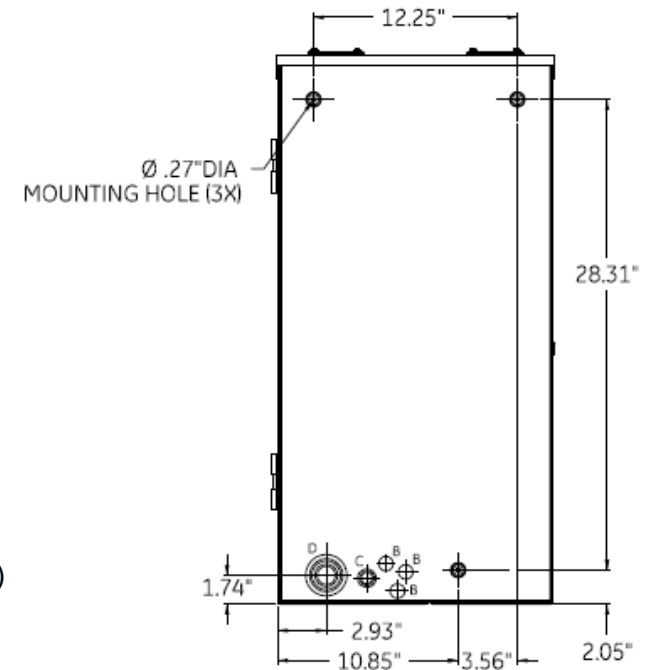


Detail A

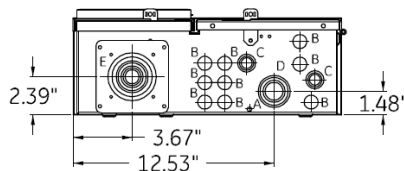


Main Wire Size
1 – 250MCM (AL/CU)

Back View



Bottom View



All DIMENSIONS HAVE +/- .125 TOLERANCE

SYMBOL	SIZE	QTY.
A	9/32 KO	1
B	1/2 KO	12
C	3/8 X 1/2 X 3/4 KO	3
D	3/4 X 1 X 1 1/4 X 1 1/2 KO	2
E	1/2 X 3/4 X 1 X 1 1/4 X 1 1/2 X 2 X 2 1/2 KO	1



imagination at work

Main Breaker THQMV-Ring-200A 22K-4/8 Circuits-N3R Encl-Feed-Thru Side-by-Side--Surface Front-UG/OH Incoming Feed-EUSERC Listed

CAT NO

TSF420CSCU

DWG DATE

6/4/2015

REV #

01