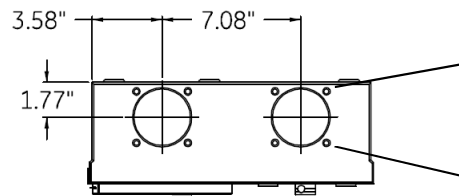
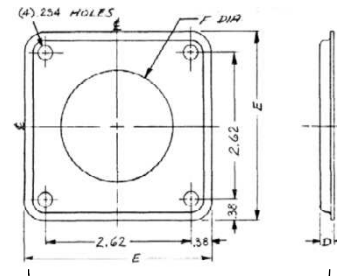
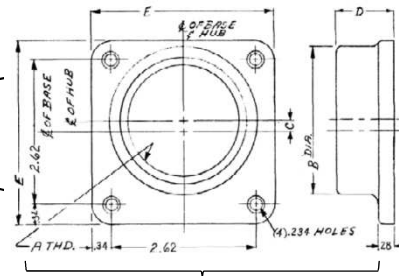


Top View



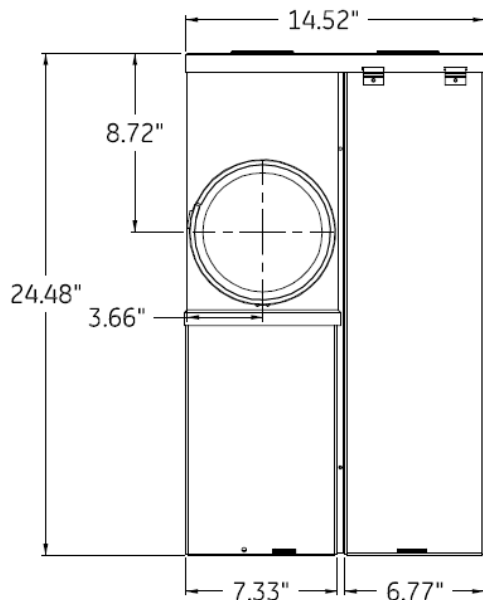
Hub Dimensions



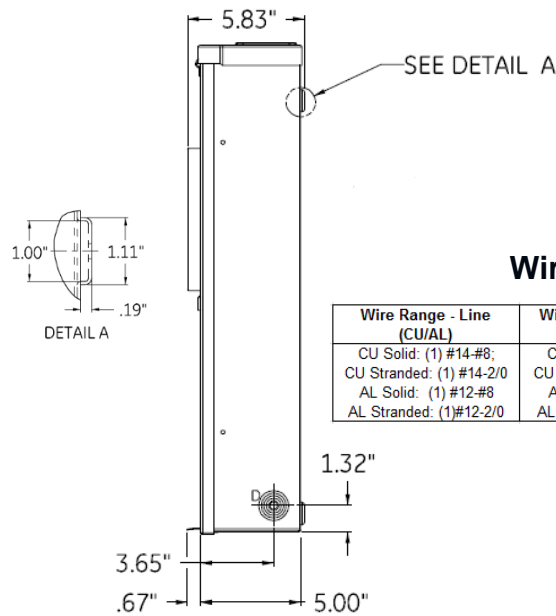
Available Hubs

Cat#	Mod#	A-THD	B-DIA	C	D	E
TC75	2	"3/4-14"	1.31	0.81	1.03	3.31
TC100	2	"1-11 1/2"	1.53	0.69	1.03	3.31
TC125	2	"1 1/4-11 1/2"	1.88	0.53	1.03	3.31
TC150	2	"1 1/2-11 1/2"	2.12	0.42	1.03	3.31
TC200	2	"2-11 1/2"	2.62	0.2	1.03	3.31
TC250	2	"2 1/2-8"	3.19	NONE	1.22	3.31
TCCP Closing Cap	1	NONE	NONE	NONE	0.25	3.38

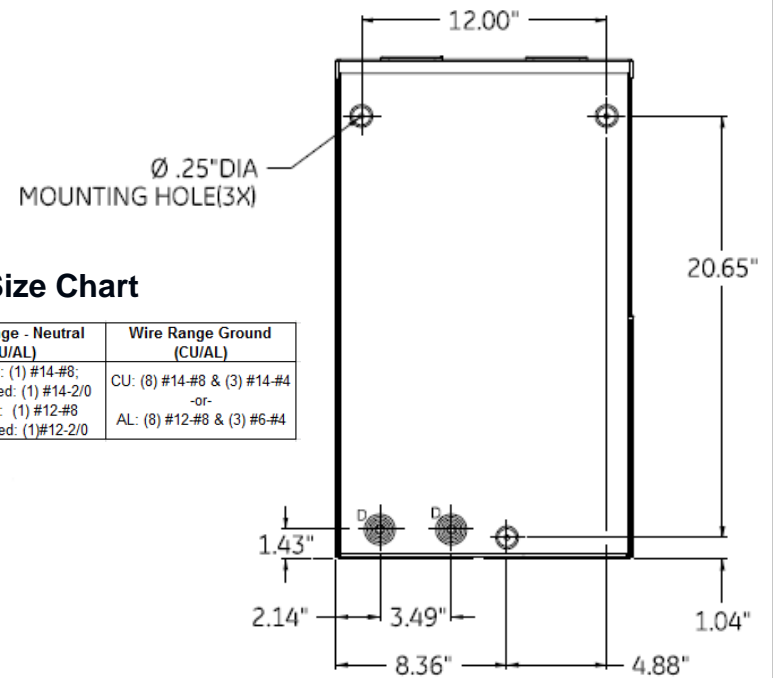
Front View



Side View



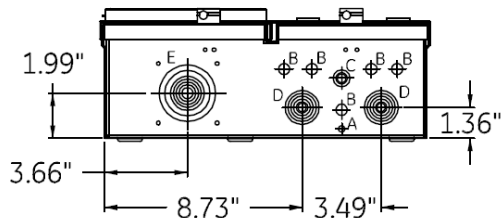
Back View



Wire Size Chart

Wire Range - Line (CU/AL)	Wire Range - Neutral (CU/AL)	Wire Range Ground (CU/AL)
CU Solid: (1) #14-#8; CU Stranded: (1) #14-2/0 AL Solid: (1) #12-#8 AL Stranded: (1)#12-2/0	CU Solid: (1) #14-#8; CU Stranded: (1) #14-2/0 AL Solid: (1) #12-#8 AL Stranded: (1)#12-2/0	CU: (8) #14-#8 & (3) #14-#4 -or- AL: (8) #12-#8 & (3) #6-#4

Bottom View



All DIMENSIONS HAVE +/- .125 TOLERANCE

SYMBOL	SIZE	QTY.
A	9/32 KO	1
B	1/2 KO	5
C	3/8 X 1/2 X 3/4 KO	1
D	3/8 X 1/2 X 3/4 X 1 X 1 1/4 X 1 1/2 KO	5
E	1/2 X 3/4 X 1 X 1 1/4 X 1 1/2 X 2 X 2 1/2 KO	1



imagination at work

Main Lug Only - Ring - 100A 10K - 2/4 Circuits - N3R Encl - Side-by-Side-Surface Front -UG/OH Incoming Feed- EUSERC

CAT NO

DWG DATE

REV #

TSL210CSCU

6/4/2015

01