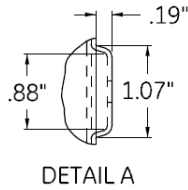
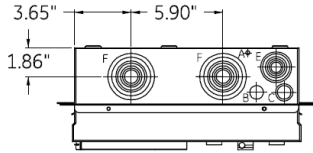
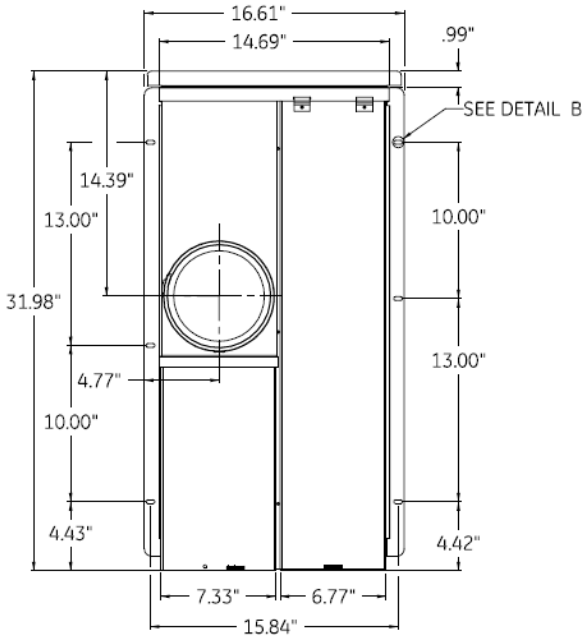


Top View

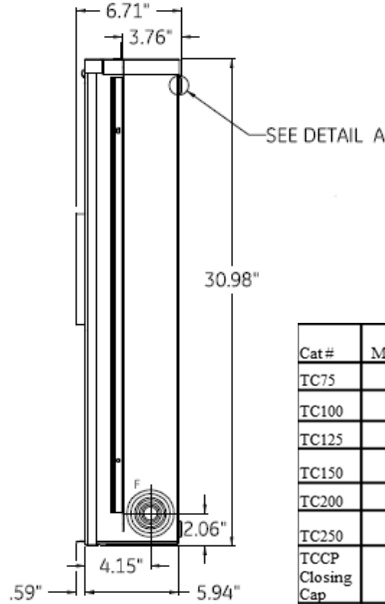


DETAIL B
 Ø.25 X .56
 OBOUNDRY HOLE (6X)

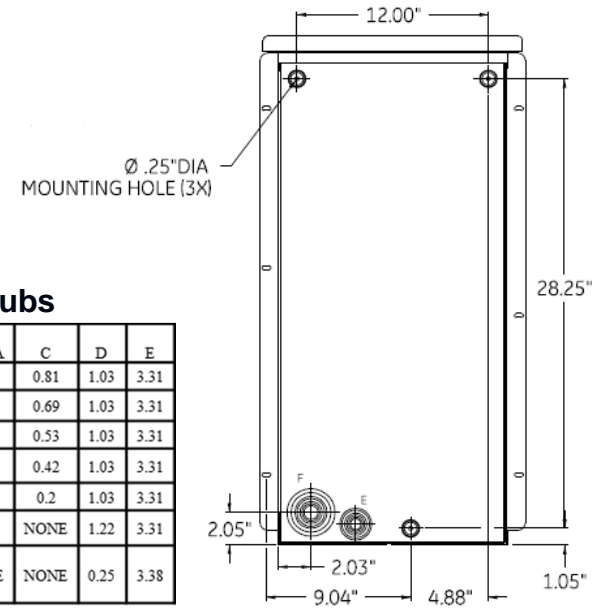
Front View



Side View



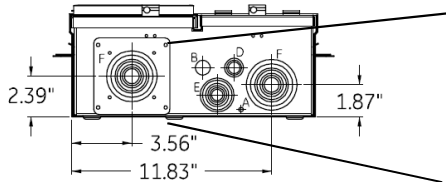
Back View



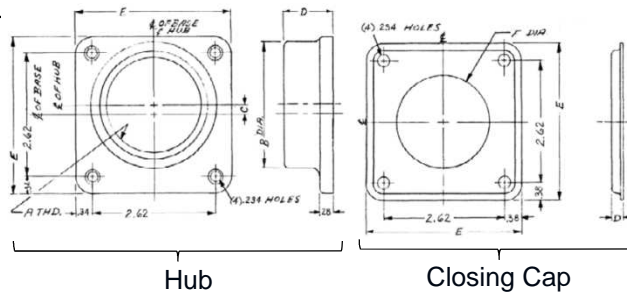
Available Hubs

Cat#	Mod#	A-THD	B-DIA	C	D	E
TC75	2	"3/4 - 14"	1.31	0.81	1.03	3.31
TC100	2	"1 - 11 1/2"	1.53	0.69	1.03	3.31
TC125	2	"1 1/4 - 11 1/2"	1.88	0.53	1.03	3.31
TC150	2	"1 1/2 - 11 1/2"	2.12	0.42	1.03	3.31
TC200	2	"2 - 11 1/2"	2.62	0.2	1.03	3.31
TC250	2	"2 1/2 - 8"	3.19	NONE	1.22	3.31
TCCP Closing Cap	1	NONE	NONE	NONE	0.25	3.38

Bottom View



Hub Dimensions



All DIMENSIONS HAVE +/- .125 TOLERANCE



imagination at work

Main Lug Only - Ring -200A 10K - 4/8 Circuits -N3R Encl -Semiflush Front
 Side-by-Side - Feed-Thru UG/OH Incoming Feed - EUSERC Listed

SYMBOL	SIZE	QTY.
A	9/32 KO	2
B	1/2 KO	2
C	1/2 X 3/4 KO	1
D	3/8 X 1/2 X 3/4 KO	1
E	3/8 X 1/2 X 3/4 X 1 X 1 1/4 X 1 1/2 KO	3
F	1/2 X 3/4 X 1 X 1 1/4 X 1 1/2 X 2 X 2 1/2 KO	6

Main Wire Size

#1 - 250MCM (Al/Cu)

CAT NO

TSL420CFCU

DWG DATE

6/4/2015

REV #

01