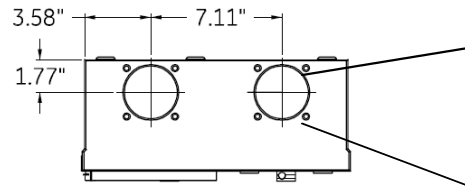
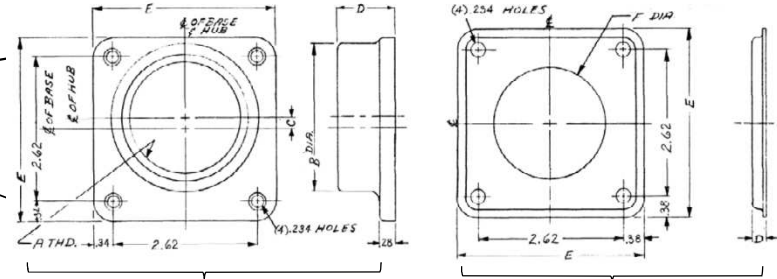


### Top View



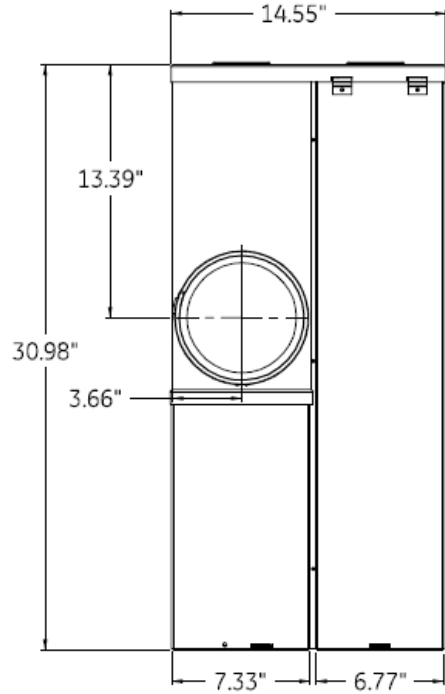
### Hub Dimensions



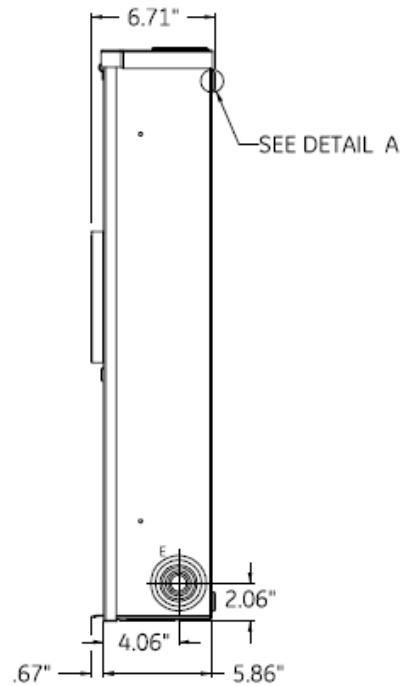
### Available Hubs

| Cat#             | Mod# | A-THD          | B-DIA | C    | D    | E    |
|------------------|------|----------------|-------|------|------|------|
| TC75             | 2    | "3/4-14"       | 1.31  | 0.81 | 1.03 | 3.31 |
| TC100            | 2    | "1-11 1/2"     | 1.53  | 0.69 | 1.03 | 3.31 |
| TC125            | 2    | "1 1/4-11 1/2" | 1.88  | 0.53 | 1.03 | 3.31 |
| TC150            | 2    | "1 1/2-11 1/2" | 2.12  | 0.42 | 1.03 | 3.31 |
| TC200            | 2    | "2-11 1/2"     | 2.62  | 0.2  | 1.03 | 3.31 |
| TC250            | 2    | "2 1/2-8"      | 3.19  | NONE | 1.22 | 3.31 |
| TCCP Closing Cap | 1    | NONE           | NONE  | NONE | 0.25 | 3.38 |

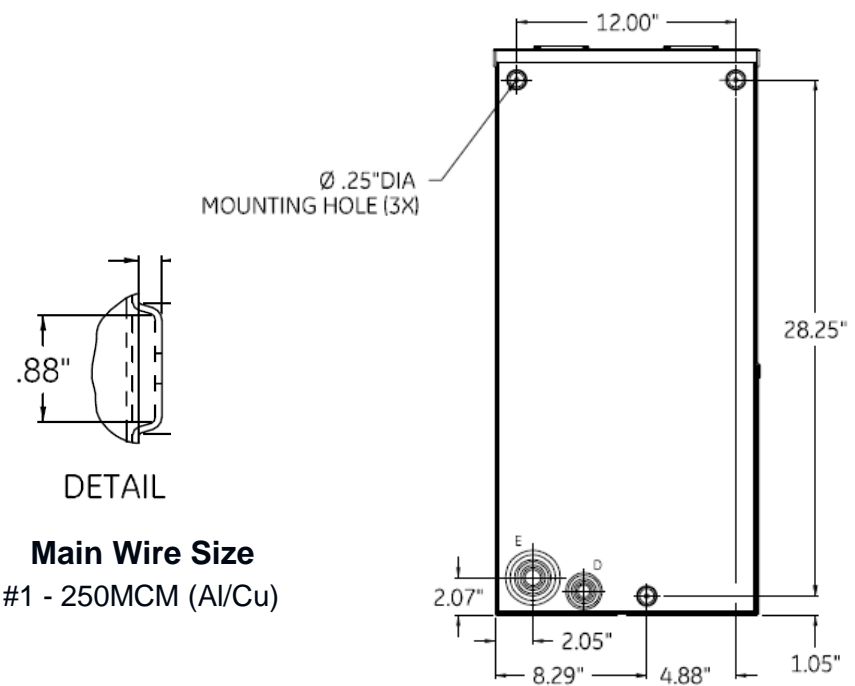
### Front View



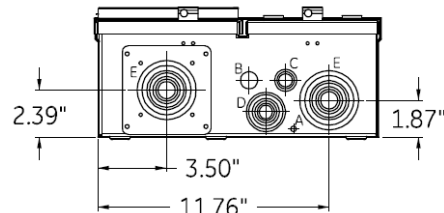
### Side View



### Back View



### Bottom View



**Main Wire Size**  
#1 - 250MCM (Al/Cu)

All DIMENSIONS HAVE +/- .125 TOLERANCE

| SYMBOL | SIZE   | QTY. |
|--------|--|------|
| A      | 9/32 KO                                      | 1    |
| B      | 1/2 KO                                       | 1    |
| C      | 3/8 X 1/2 X 3/4 KO                           | 1    |
| D      | 3/8 X 1/2 X 3/4 X 1 X 1 1/4 X 1 1/2 KO       | 2    |
| E      | 1/2 X 3/4 X 1 X 1 1/4 X 1 1/2 X 2 X 2 1/2 KO | 4    |



Main Lug Only -Ring -200A 10K - 4/8 Circuits -N3R Encl -Surface Front  
Side-by-Side – Feed-Thru - UG/OH Incoming Feed - EUSERC Listed

| CAT NO     | DWG DATE | REV # |
|------------|----------|-------|
| TSL420CSCU | 6/4/2015 | 01    |