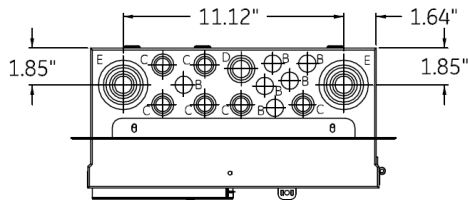
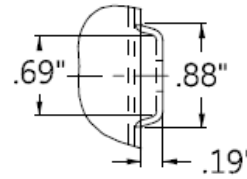


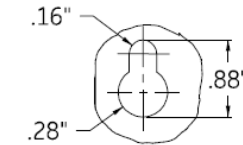
Top View



DETAIL A
Ø.25 X .56
OBSROUND HOLE (6X)

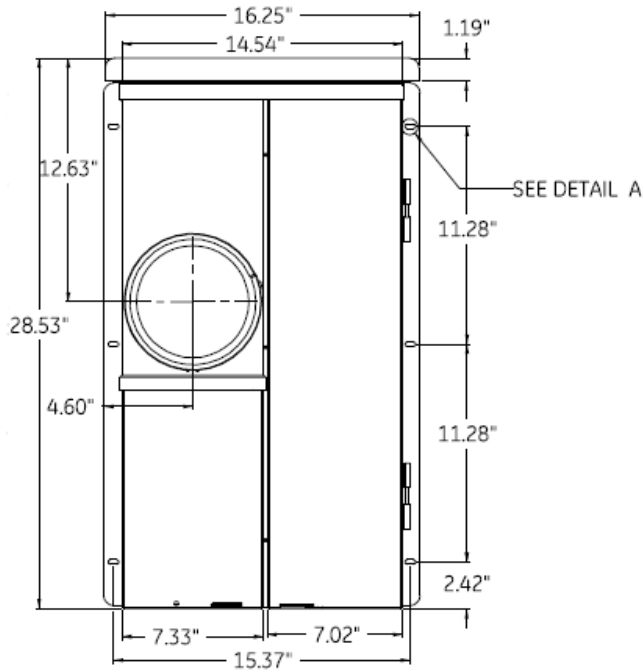


DETAIL B

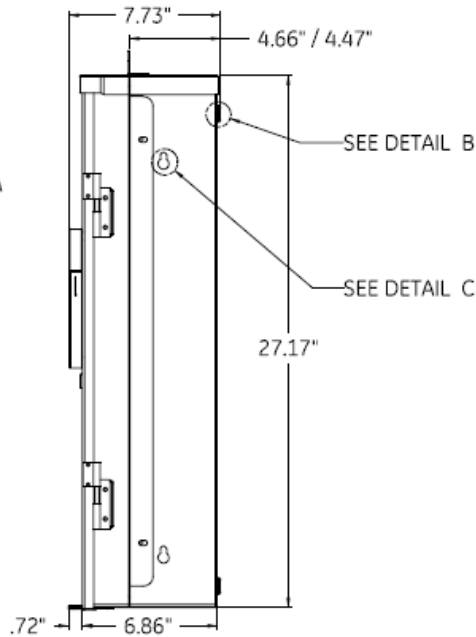


DETAIL C
SIDE MOUNTING HOLE (4X)

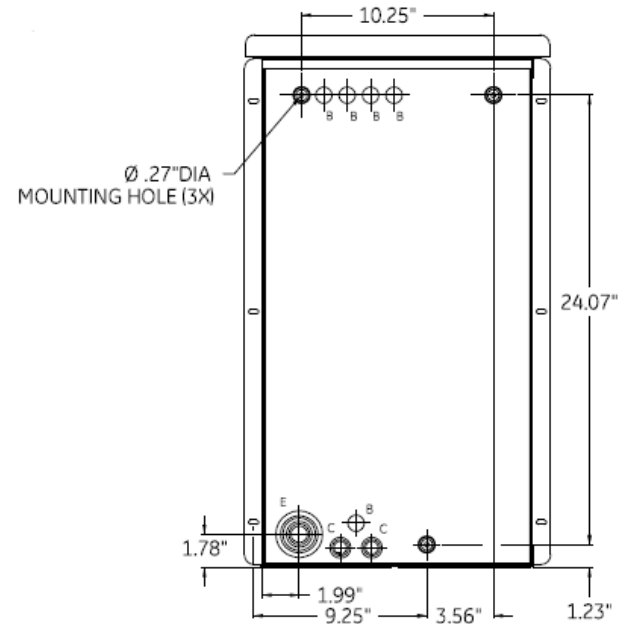
Front View



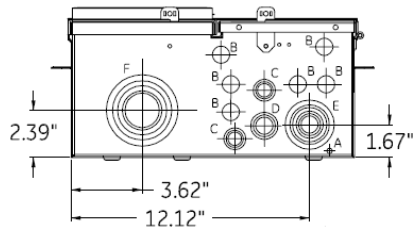
Side View



Back View



Bottom View



Main Wire Size

#12 - 2/0 (Al/Cu)

ALL DIMENSIONS HAVE +/- .125 TOLERANCE

SYMBOL	SIZE	QTY.
A	9/32 KO	1
B	1/2 KO	17
C	3/8 X 1/2 X 3/4 KO	10
D	1/2 X 3/4 X 1 KO	2
E	1/2 X 3/4 X 1 X 1 1/4 X 1 1/2 X 2 KO	4
F	1 1/4 X 1 1/2 X 2 X 2 1/2 X 3 KO	1



imagination at work

Main Breaker THQL- Ring - 125A 22K -12/24 Circuits - N3R Encl
Semiflush Front - UG/OH Incoming Feed - EUSERC Listed

CAT NO	DWG DATE	REV #
TSM1212CFU	6/4/2015	01