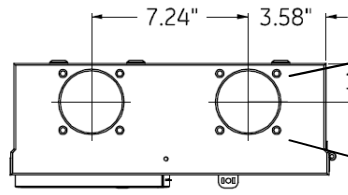
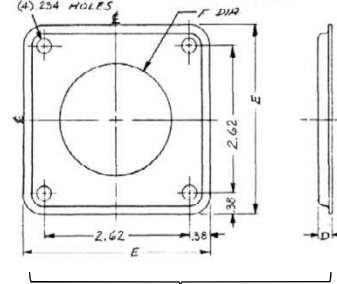
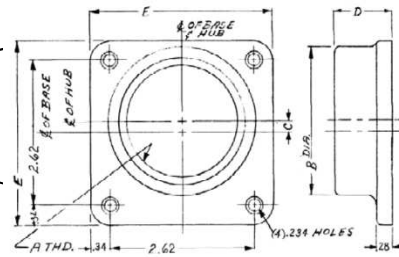


Top View



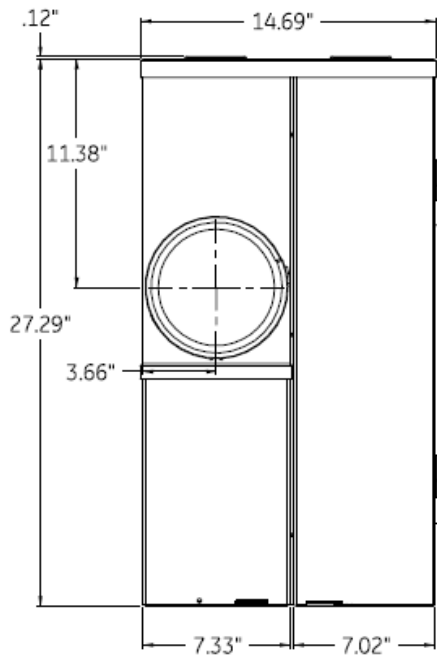
Hub Dimensions



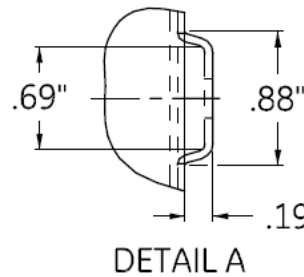
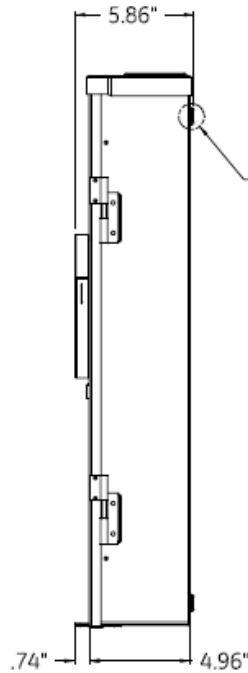
Available Hubs

Cat#	Mod#	A-THD	B-DIA	C	D	E
TC75	2	"3/4-14"	1.31	0.81	1.03	3.31
TC100	2	"1 - 11 1/2"	1.53	0.69	1.03	3.31
TC125	2	"1 1/4 - 11 1/2"	1.88	0.53	1.03	3.31
TC150	2	"1 1/2 - 11 1/2"	2.12	0.42	1.03	3.31
TC200	2	"2 - 11 1/2"	2.62	0.2	1.03	3.31
TC250	2	"2 1/2 - 8"	3.19	NONE	1.22	3.31
TCCP Closing Cap	1	NONE	NONE	NONE	0.25	3.38

Front View



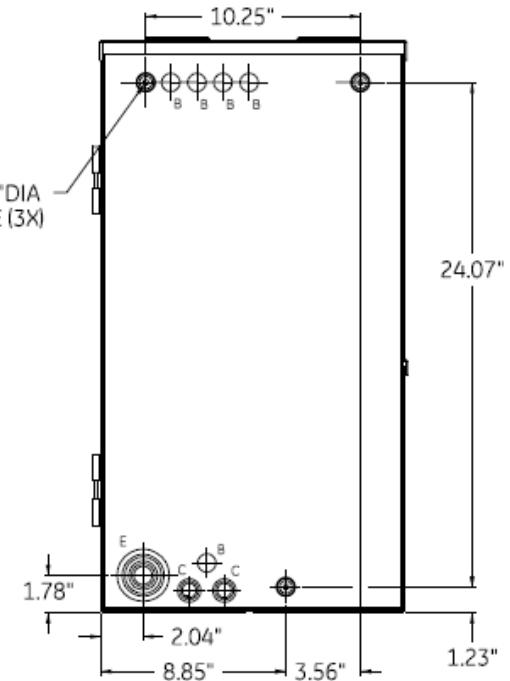
Side View



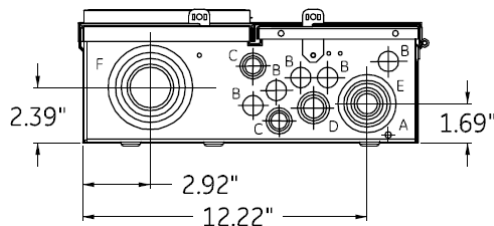
Main Wire Size
#12 - 2/0 (Al/Cu)

Closing Cap

Back View



Bottom View



All DIMENSIONS HAVE +/- .125 TOLERANCE

SYMBOL	SIZE	QTY.
A	9/32 KO	1
B	1/2 KO	10
C	3/8 X 1/2 X 3/4 KO	4
D	1/2 X 3/4 X 1 KO	1
E	1/2 X 3/4 X 1 X 1 1/4 X 1 1/2 X 2 KO	2
F	1 1/4 X 1 1/2 X 2 X 2 1/2 X 3 KO	1



imagination at work

Main Breaker THHQL- Ring - 125A 22K -12/24 Circuits - N3R
Encl Surface Front - UG/OH Incoming Feed - EUSERC Listed

CAT NO

DWG DATE

REV #

TSM1212CSCU

6/4/2015

01