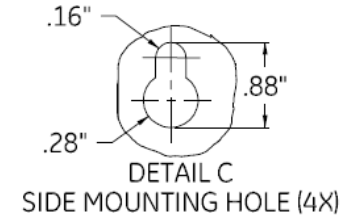
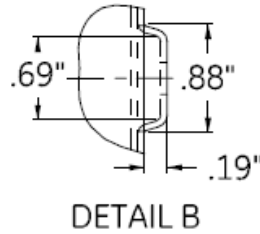
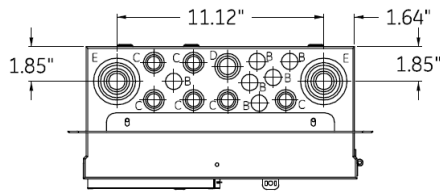
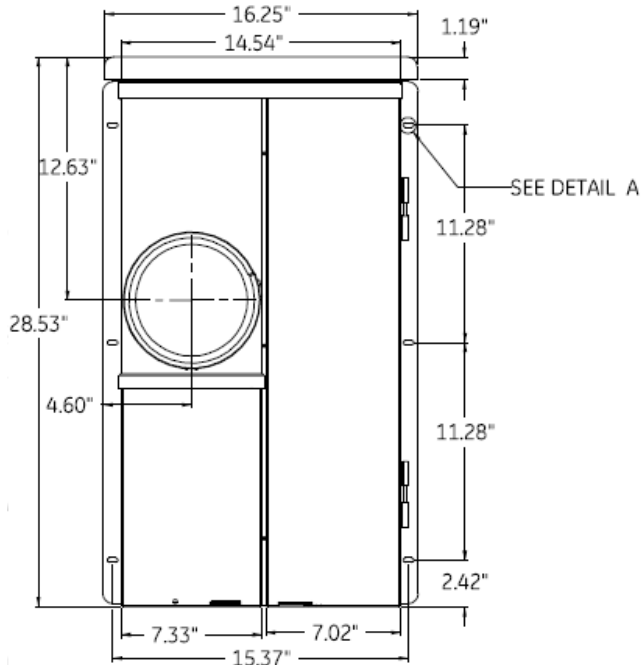


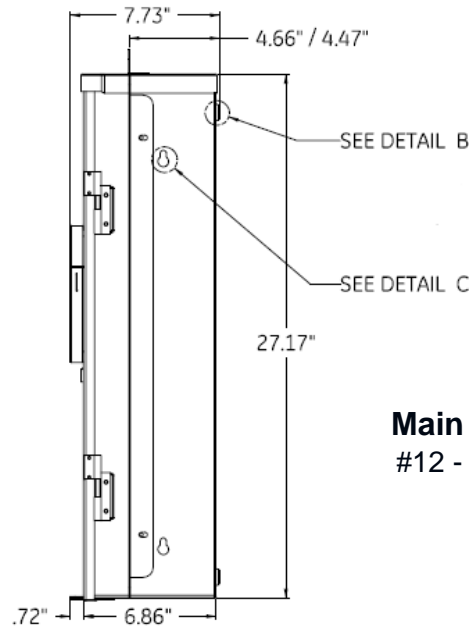
### Top View



### Front View

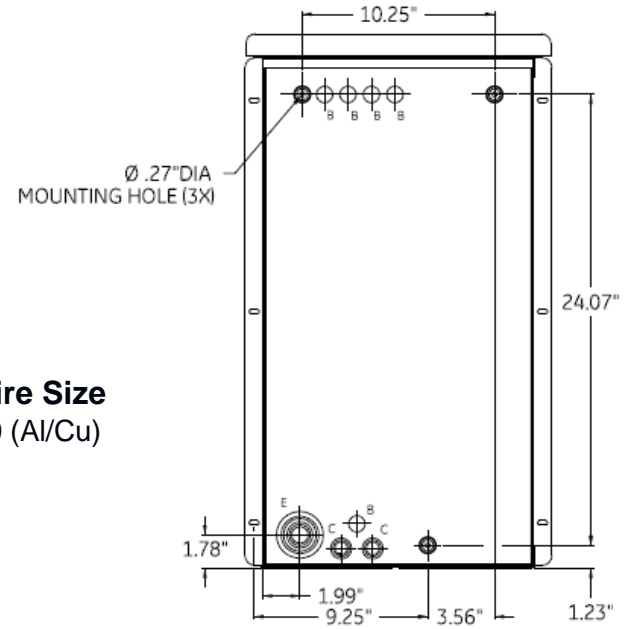


### Side View

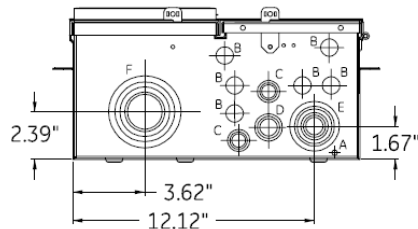


**Main Wire Size**  
#12 - 2/0 (Al/Cu)

### Back View



### Bottom View



All DIMENSIONS HAVE +/- .125 TOLERANCE

SYMBOL	SIZE	QTY.
A	9/32 KO	1
B	1/2 KO	17
C	3/8 X 1/2 X 3/4 KO	10
D	1/2 X 3/4 X 1 KO	2
E	1/2 X 3/4 X 1 X 1 1/4 X 1 1/2 X 2 KO	4
F	1 1/4 X 1 1/2 X 2 X 2 1/2 X 3 KO	1



imagination at work

Main Breaker THHQL- Ring - 100A 22K - 16/32 Circuits - N3R  
Encl Semiflush Front - UG/OH Incoming Feed - EUSERC Listed

CAT NO	DWG DATE	REV #
TSM1610CFU	6/4/2015	01