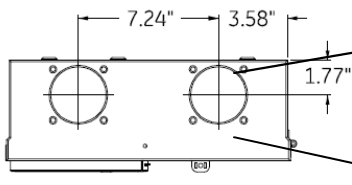
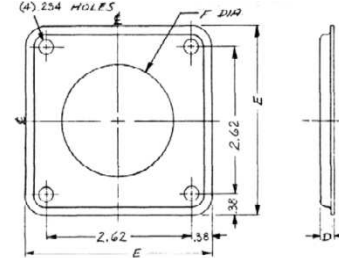
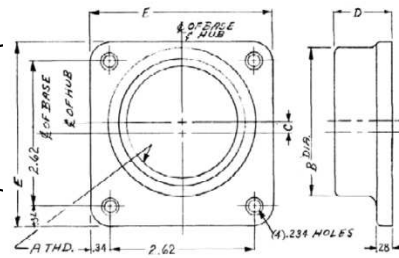


### Top View



### Hub Dimensions



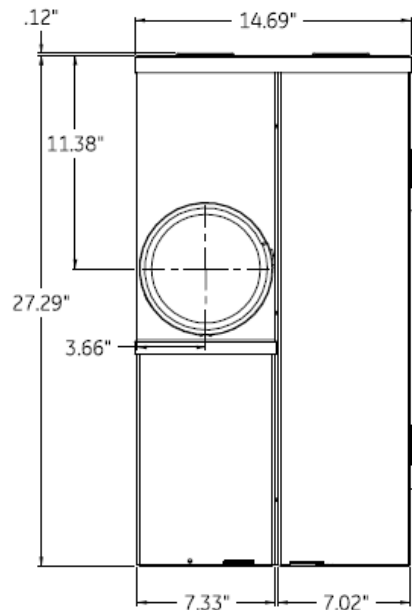
Hub

Closing Cap

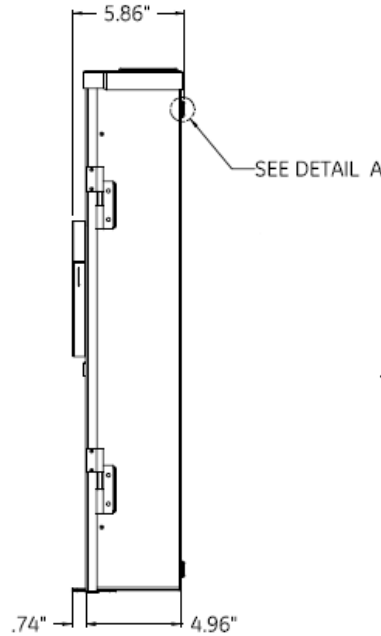
### Available Hubs

| Cat#             | Mod# | A-THD                                   | B-DIA | C    | D    | E    |
|------------------|------|-----------------------------------------|-------|------|------|------|
| TC75             | 2    | " $\frac{3}{4}$ -14"                    | 1.31  | 0.81 | 1.03 | 3.31 |
| TC100            | 2    | "1 - 11 $\frac{1}{2}$ "                 | 1.53  | 0.69 | 1.03 | 3.31 |
| TC125            | 2    | "1 $\frac{1}{4}$ - 11 $\frac{1}{2}$ "   | 1.88  | 0.53 | 1.03 | 3.31 |
| TC150            | 2    | "1 $\frac{1}{2}$ " - 11 $\frac{1}{2}$ " | 2.12  | 0.42 | 1.03 | 3.31 |
| TC200            | 2    | "2 - 11 $\frac{1}{2}$ "                 | 2.62  | 0.2  | 1.03 | 3.31 |
| TC250            | 2    | "2 $\frac{1}{2}$ - 8"                   | 3.19  | NONE | 1.22 | 3.31 |
| TCCP Closing Cap | 1    | NONE                                    | NONE  | NONE | 0.25 | 3.38 |

### Front View

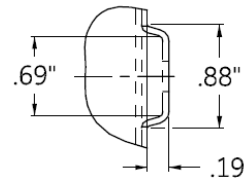


### Side View



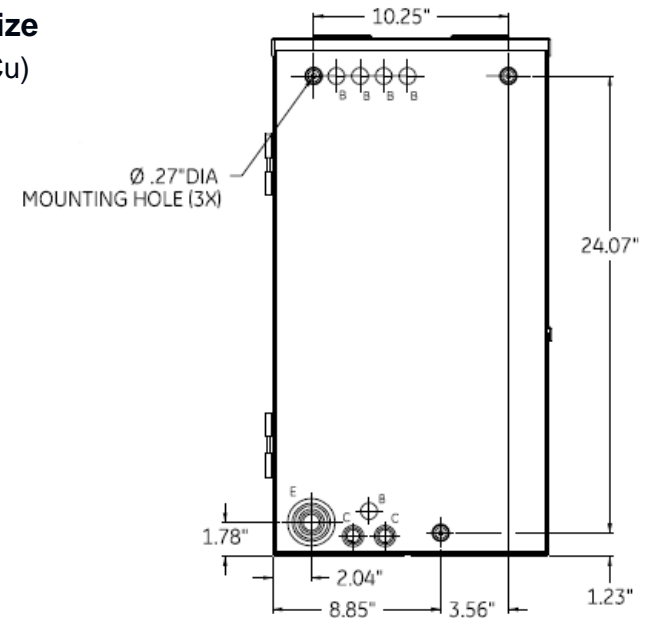
### Main Wire Size

#12 - 2/0 (Al/Cu)

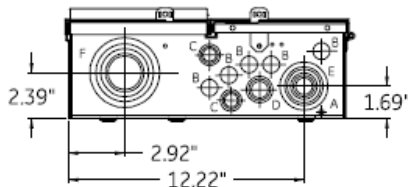


Detail A

### Back View



### Bottom View



All DIMENSIONS HAVE +/- .125 TOLERANCE

| SYMBOL | SIZE                                 | QTY. |
|--------|--------------------------------------|------|
| A      | 9/32 KO                              | 1    |
| B      | 1/2 KO                               | 10   |
| C      | 3/8 X 1/2 X 3/4 KO                   | 4    |
| D      | 1/2 X 3/4 X 1 KO                     | 1    |
| E      | 1/2 X 3/4 X 1 X 1 1/4 X 1 1/2 X 2 KO | 2    |
| F      | 1 1/4 X 1 1/2 X 2 X 2 1/2 X 3 KO     | 1    |



imagination at work

Main Breaker THHQL - Ring - 100A 22K - 16/32 Circuits - N3R  
Surface Front - UG/OH Incoming Feed - EUSERC Listed

CAT NO

DWG DATE

REV #

TSM1610CSCU

6/4/2015

01