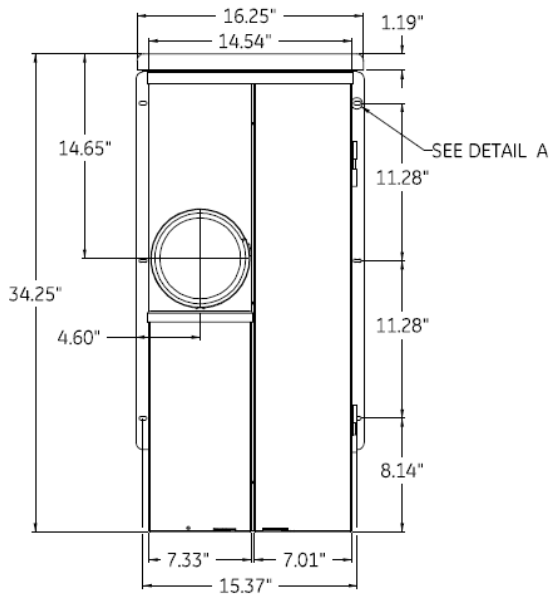
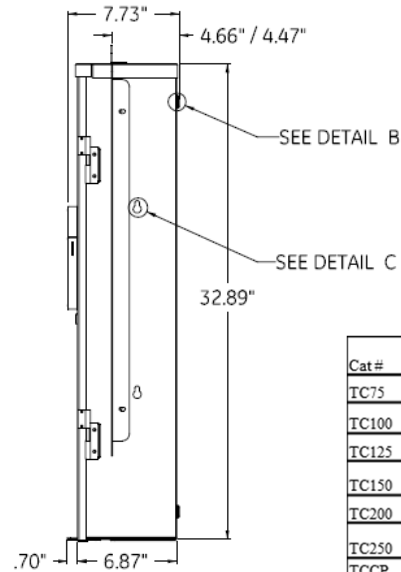


SYMBOL	SIZE	QTY.
A	9/32 KO	1
B	1/2 KO	18
C	3/8 X 1/2 X 3/4 KO	9
D	1/2 X 3/4 X 1 KO	1
E	3/4 X 1 X 1 1/4 X 1 1/2 KO	2
F	1/2 X 3/4 X 1 X 1 1/4 X 1 1/2 X 2 KO	2
G	1/2 X 3/4 X 1 X 1 1/4 X 1 1/2 X 2 X 2 1/2 KO	1

Front View

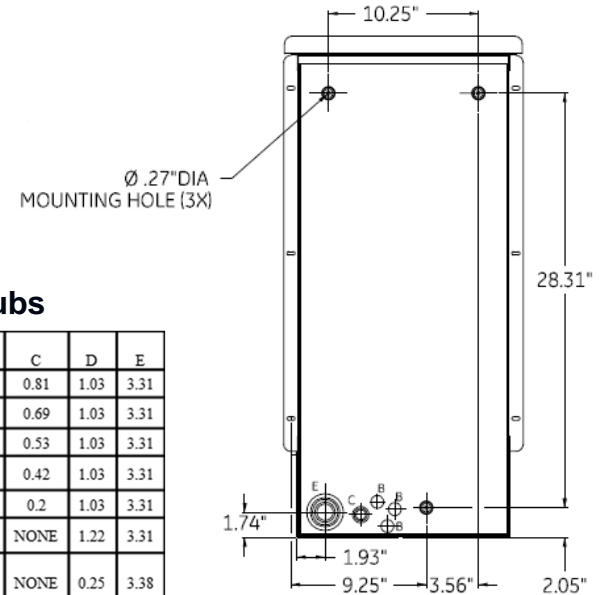


Side View



All DIMENSIONS HAVE +/- .125 TOLERANCE

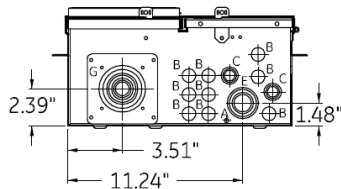
Back View



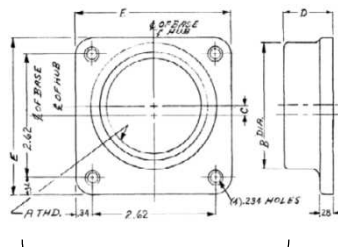
Available Hubs

Cat#	Mod#	A-THD	B-DIA	C	D	E
TC75	2	"3/4-14"	1.31	0.81	1.03	3.31
TC100	2	"1 - 11 1/2"	1.53	0.69	1.03	3.31
TC125	2	"1 1/4 - 11 1/2"	1.88	0.53	1.03	3.31
TC150	2	"1 1/2 - 11 1/2"	2.12	0.42	1.03	3.31
TC200	2	"2 - 11 1/2"	2.62	0.2	1.03	3.31
TC250	2	"2 1/2 - 8"	3.19	NONE	1.22	3.31
TCCP Closing Cap	1	NONE	NONE	NONE	0.25	3.38

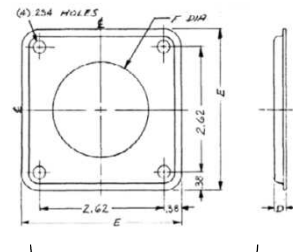
Bottom View



Hub Dimensions



Hub



Closing Cap

Main Wire Size

1 - 250MCM (AL/CU)



imagination at work

Main Breaker THQMV - Ring - 200A 22K - 20/40 Circuits N3R
Encl - Semiflush Front - UG Incoming Feed - EUSERC Listed

CAT NO

DWG DATE

REV #

TSM2020UFCU

6/4/2015

01