

SYMBOL	SIZE	QTY.
A	1/2 KO	17
B	3/8 X 1/2 X 3/4 KO	7
C	1/2 X 3/4 X 1 KO	1
D	3/4 X 1 X 1 1/4 X 1 1/2 KO	1
E	1/2 X 3/4 X 1 X 1 1/4 X 1 1/2 X 2 KO	2
F	1/2 X 3/4 X 1 X 1 1/4 X 1 1/2 X 2 X 2 1/2 KO	1

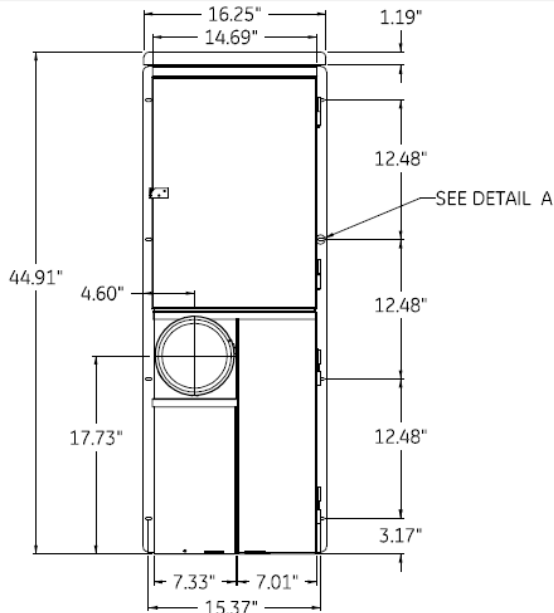
**Top View**

**DETAIL A**  
Ø.25" X .56"  
OBROUND HOLE (8X)

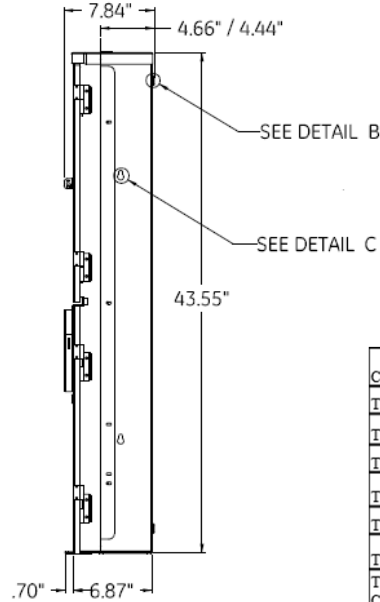
**DETAIL B**

**DETAIL C**  
SIDE MOUNTING HOLE (4X)

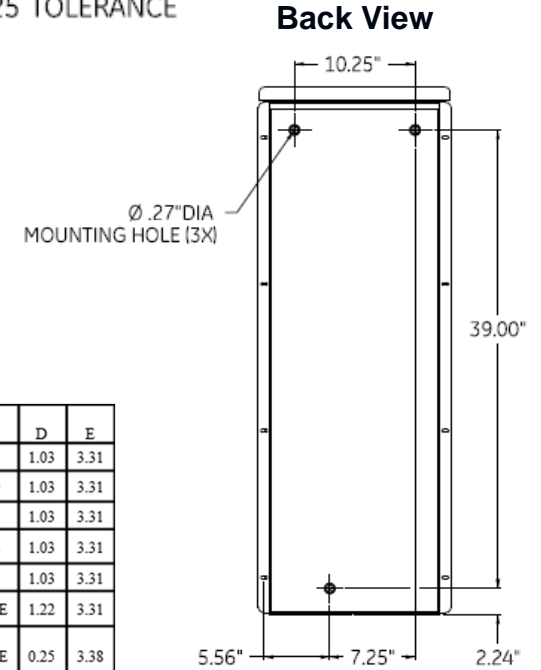
ALL DIMENSIONS HAVE +/- .125 TOLERANCE



**Front View**



**Side View**

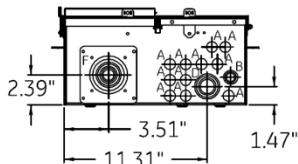


**Back View**

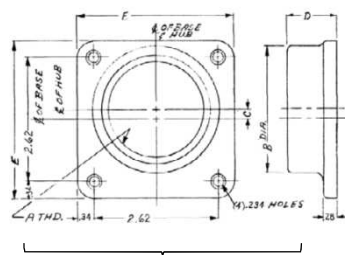
**Available Hubs**

Cat#	Mod#	A-THD	B-DIA	C	D	E
TC75	2	"¾-14"	1.31	0.81	1.03	3.31
TC100	2	"1 - 11 ½"	1.53	0.69	1.03	3.31
TC125	2	"1 ¼ - 11 ½"	1.88	0.53	1.03	3.31
TC150	2	"1 ½ - 11 ½"	2.12	0.42	1.03	3.31
TC200	2	"2 - 11 ½"	2.62	0.2	1.03	3.31
TC250	2	"2 ½ - 8"	3.19	NONE	1.22	3.31
TCCP Closing Cap	1	NONE	NONE	NONE	0.25	3.38

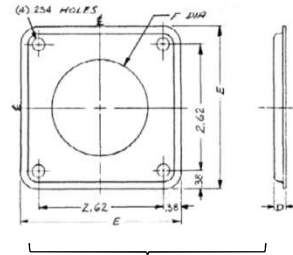
**Bottom View**



**Hub Dimensions**



**Hub**



**Closing Cap**

**Main Wire Size**

CU: (1) # 1 – 300MCM  
AL: (1) 2/0 – 300MCM



imagination at work

Main Breaker THQMV - Ring - 225A 22K - 20/40 Circuits - N3R  
Encl - Semiflush Front - UG Incoming Feed - EUSERC Listed

CAT NO	DWG DATE	REV #
TSM2022UFCU	6/4/2015	01