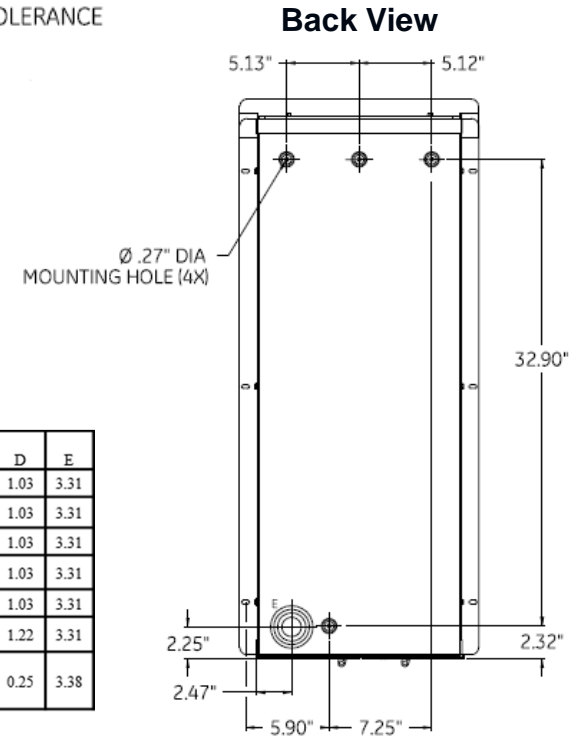
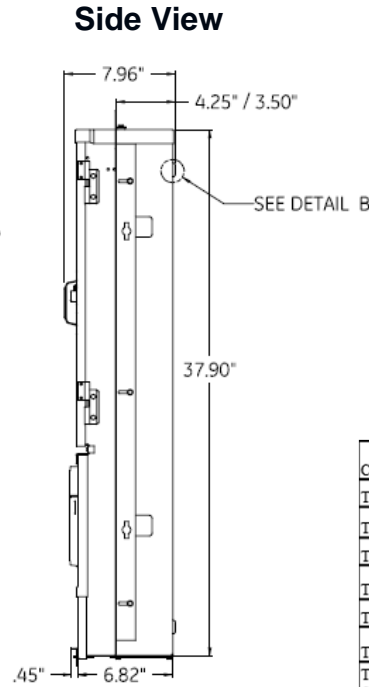
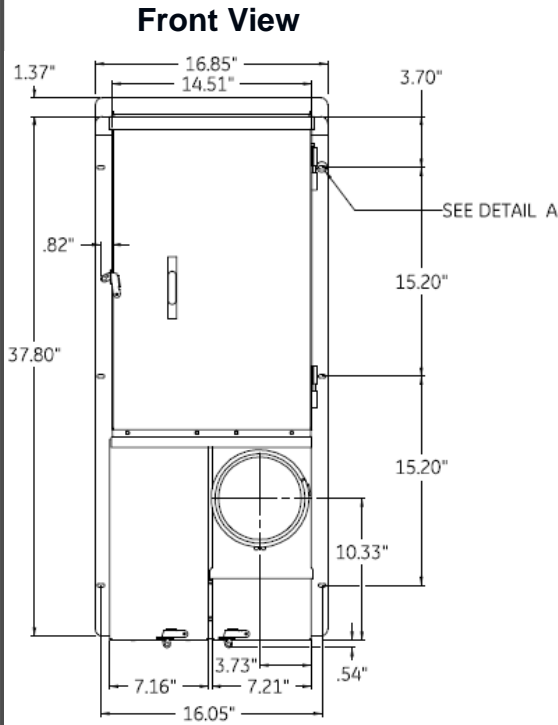


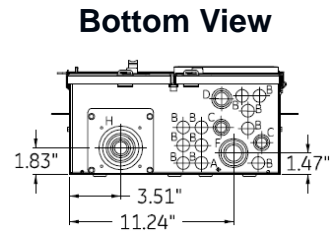
SYMBOL	SIZE	QTY.
A	9/32 KO	1
B	1/2 KO	17
C	1/2 X 3/4 KO	7
D	1/2 X 3/4 X 1 KO	2
E	1 X 1 1/2 X 2 X 2 1/2 KO	1
F	3/4 X 1 X 1 1/4 X 1 1/2 KO	1
G	1/2 X 3/4 X 1 X 1 1/4 X 1 1/2 KO	2
H	1/2 X 3/4 X 1 X 1 1/4 X 1 1/2 X 2 X 2 1/2 KO	1

ALL DIMENSIONS HAVE +/- .125 TOLERANCE

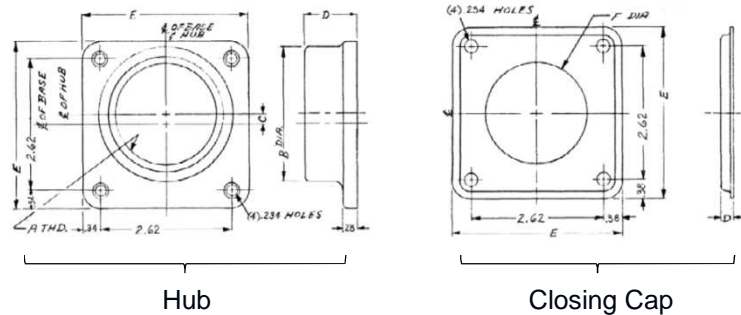


### Available Hubs

Cat#	Mod#	A-THD	B-DIA	C	D	E
TC75	2	"3/4-14"	1.31	0.81	1.03	3.31
TC100	2	"1-11 1/2"	1.53	0.69	1.03	3.31
TC125	2	"1 1/4-11 1/2"	1.88	0.53	1.03	3.31
TC150	2	"1 1/2-11 1/2"	2.12	0.42	1.03	3.31
TC200	2	"2-11 1/2"	2.62	0.2	1.03	3.31
TC250	2	"2 1/2-8"	3.19	NONE	1.22	3.31
TCCP Closing Cap	1	NONE	NONE	NONE	0.25	3.38



### Hub Dimensions



### Main Wire Size

CU: (1) # 1 - 300  
AL: (1) 2/0 - 300



imagination at work

Main Breaker THQMV - Ring - 200A 22K- 24/42 Circuits - N3R Encl Semiflush/Convertible Front - UG Incoming Feed - EUSERC Listed

CAT NO	DWG DATE	REV #
TSM2420UF42	6/4/2015	01