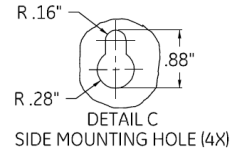
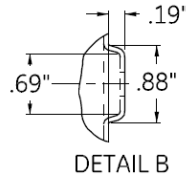
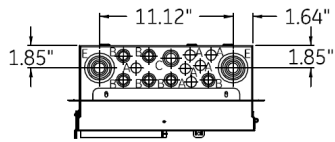
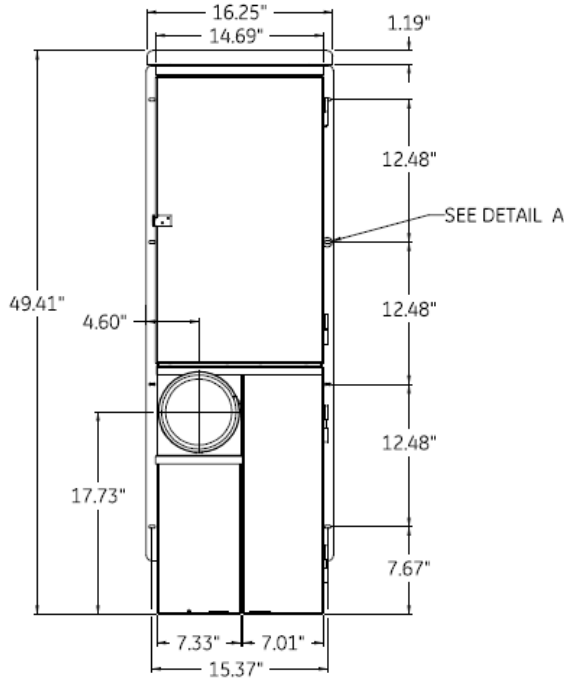


Top View

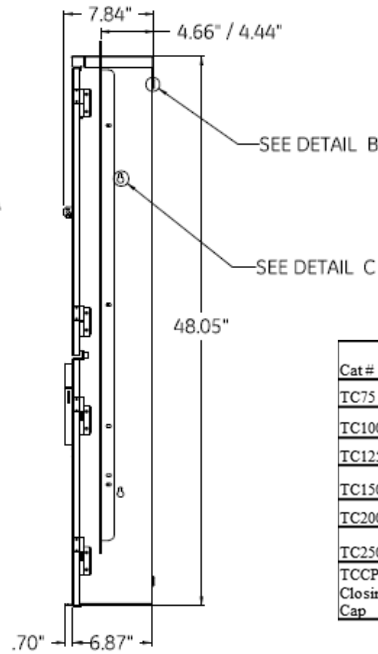


SYMBOL	SIZE	QTY.
A	1/2 KO	17
B	3/8 X 1/2 X 3/4 KO	7
C	1/2 X 3/4 X 1 KO	1
D	3/4 X 1 X 1 1/4 X 1 1/2 KO	1
E	1/2 X 3/4 X 1 X 1 1/4 X 1 1/2 X 2 KO	2
F	1/2 X 3/4 X 1 X 1 1/4 X 1 1/2 X 2 X 2 1/2 KO	1

Front View

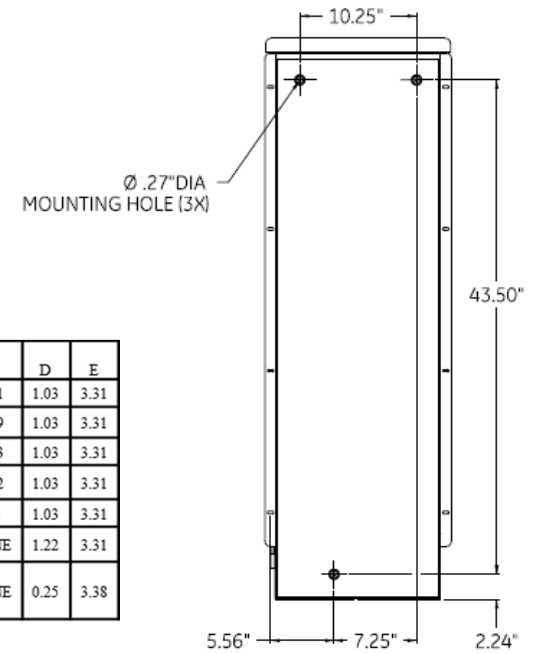


Side View



ALL DIMENSIONS HAVE +/- .125 TOLERANCE

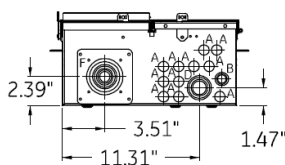
Back View



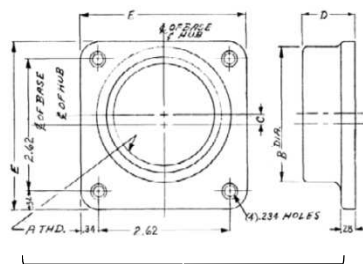
Available Hubs

Cat#	Mod#	A-THD	B-DIA	C	D	E
TC75	2	"3/4-14"	1.31	0.81	1.03	3.31
TC100	2	"1 - 11 1/2"	1.53	0.69	1.03	3.31
TC125	2	"1 1/4 - 11 1/2"	1.88	0.53	1.03	3.31
TC150	2	"1 1/2 - 11 1/2"	2.12	0.42	1.03	3.31
TC200	2	"2 - 11 1/2"	2.62	0.2	1.03	3.31
TC250	2	"2 1/2 - 8"	3.19	NONE	1.22	3.31
TC CP Closing Cap	1	NONE	NONE	NONE	0.25	3.38

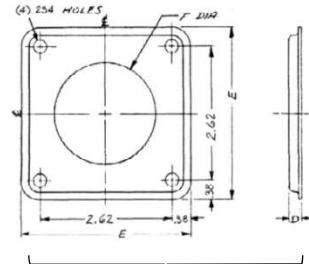
Bottom View



Hub Dimensions



Hub



Closing Cap

Main Wire Size

1 - 250MCM (AL/CU)



imagination at work

Main Breaker THQMV- Ring - 200 22K - 32/40 Circuits N3R Encl
Semiflush Front - UG Incoming Feed - EUSERC Listed

CAT NO	DWG DATE	REV #
TSM3220UFCU	6/4/2015	01