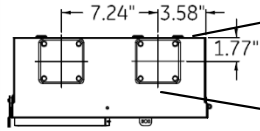
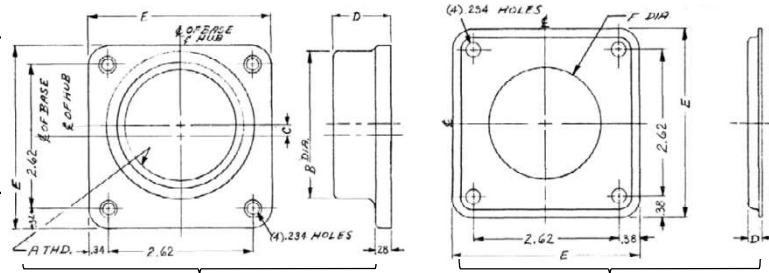


Top View



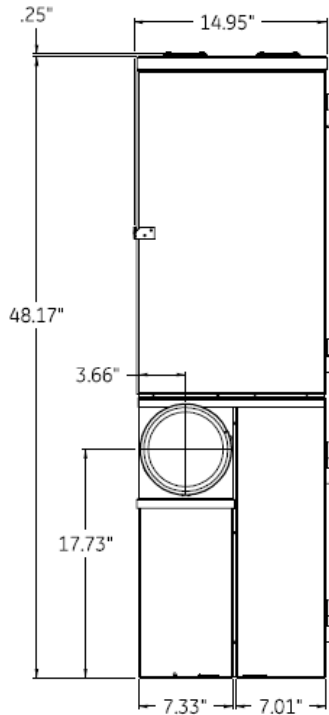
Hub Dimensions



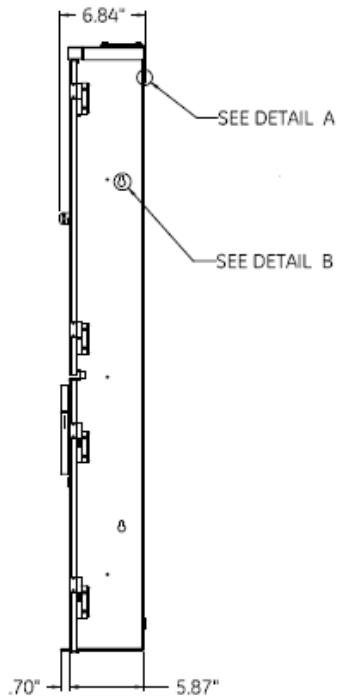
Available Hubs

Cat#	Mod#	A-THD	B-DIA	C	D	E
TC75	2	"¾-14"	1.31	0.81	1.03	3.31
TC100	2	"1 - 11 ½"	1.53	0.69	1.03	3.31
TC125	2	"1 ¼ - 11 ½"	1.88	0.53	1.03	3.31
TC150	2	"1 ½ - 11 ½"	2.12	0.42	1.03	3.31
TC200	2	"2 - 11 ½"	2.62	0.2	1.03	3.31
TC250	2	"2 ½ - 8"	3.19	NONE	1.22	3.31
TCCP Closing Cap	1	NONE	NONE	NONE	0.25	3.38

Front View



Side View

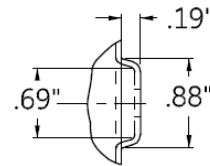


Hub

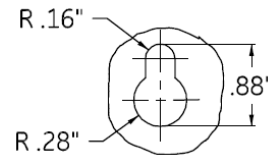
Closing Cap

Main Wire Size

CU: (1) #1 - 300
AL: (1) 2/0 - 300

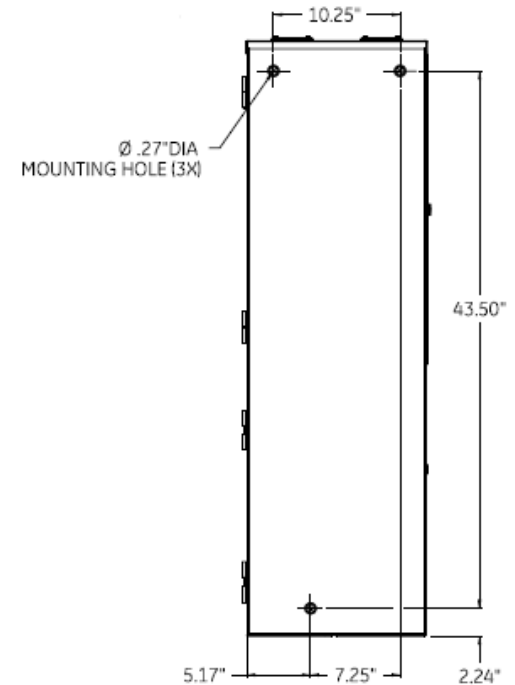


Detail A

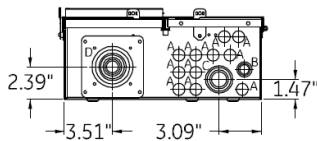


Detail B
Side Mounting Hole (4X)

Back View



Bottom View



ALL DIMENSIONS HAVE +/- .125 TOLERANCE

SYMBOL	SIZE	QTY.
A	1/2 KO	11
B	3/8 X 1/2 X 3/4 KO	1
C	3/4 X 1 X 1 1/4 X 1 1/2 KO	1
D	1/2 X 3/4 X 1 X 1 1/4 X 1 1/2 X 2 X 2 1/2 KO	1



imagination at work

Main Breaker THQMV - Ring - 225A 22K - 32/40 Circuits - N3R
Encl - Surface Front - UG Incoming Feed - EUSERC Listed

CAT NO	DWG DATE	REV #
TSM3222USCU	6/4/2015	01