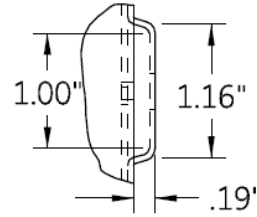


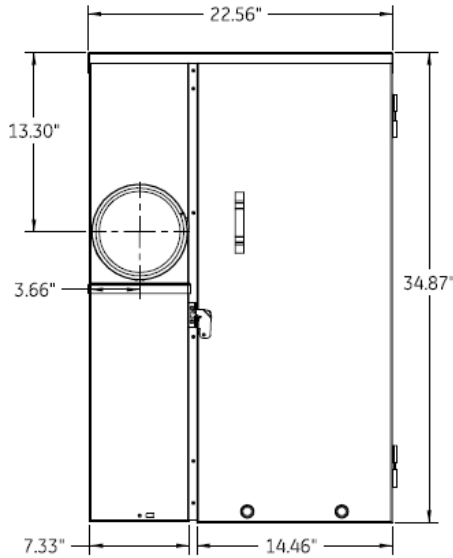
**Top View**



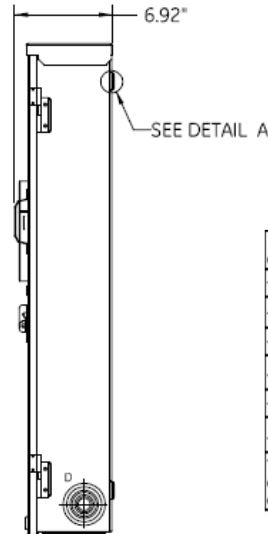
ALL DIMENSIONS HAVE +/- .125 TOLERANCE

SYMBOL	SIZE	QTY.
A	1/2 KO	8
B	3/8 X 1/2 X 3/4 KO	3
C	1/2 X 3/4 X 1 KO	1
D	1/2 X 3/4 X 1 X 1 1/4 X 1 1/2 X 2 X 2 1/2 KO	5

**Front View**



**Side View**



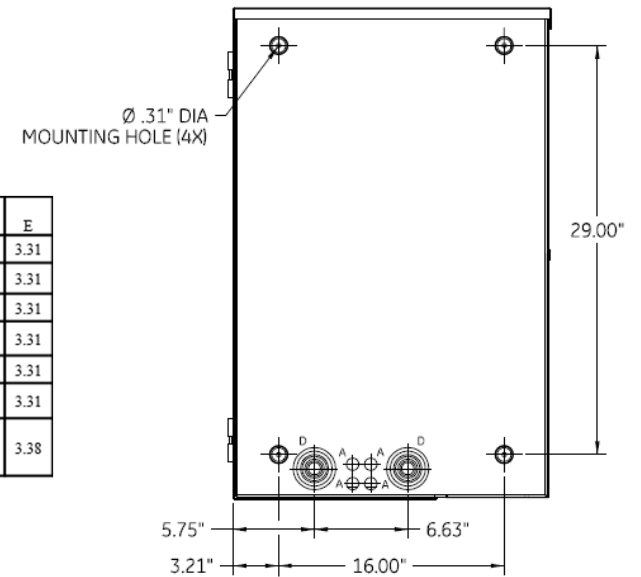
**Detail A**

**Main Wire Size**  
# 2 – 250MCM (AL/CU)

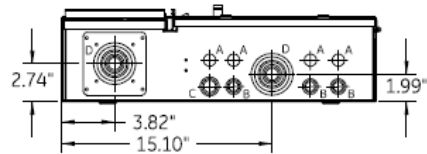
**Available Hubs**

Cat#	Mod#	A-THD	B-DIA	C	D	E
TC75	2	"3/4-14"	1.31	0.81	1.03	3.31
TC100	2	"1-11 1/2"	1.53	0.69	1.03	3.31
TC125	2	"1 1/4-11 1/2"	1.88	0.53	1.03	3.31
TC150	2	"1 1/2"-11 1/2"	2.12	0.42	1.03	3.31
TC200	2	"2-11 1/2"	2.62	0.2	1.03	3.31
TC250	2	"2 1/2-8"	3.19	NONE	1.22	3.31
TCCP Closing Cap	1	NONE	NONE	NONE	0.25	3.38

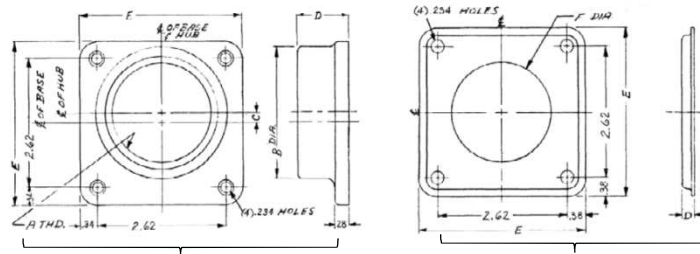
**Back View**



**Bottom View**



**Hub Dimensions**



**Hub**

**Closing Cap**



imagination at work

Main Breaker THQMV - Ring - 200A 22K - 40/0 Circuits - N3R Encl Surface Front - UG Incoming Feed - Wide Body - EUSERC Listed

CAT NO	DWG DATE	REV #
TSM4020UWCU	6/4/2015	01