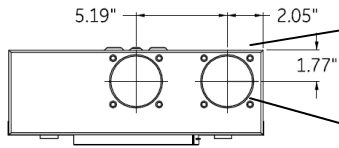
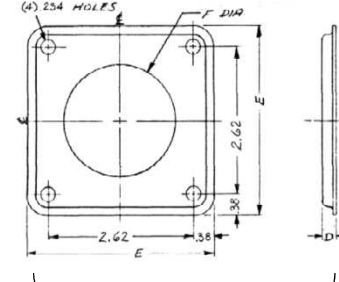
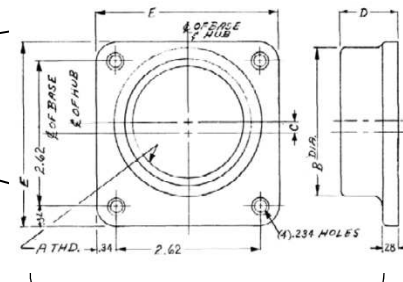


### Top View



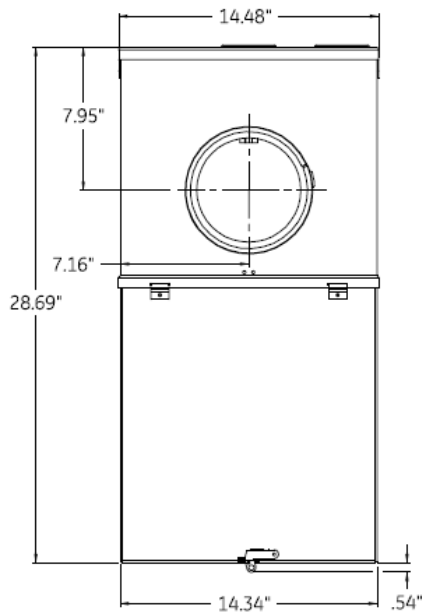
### Hub Dimensions



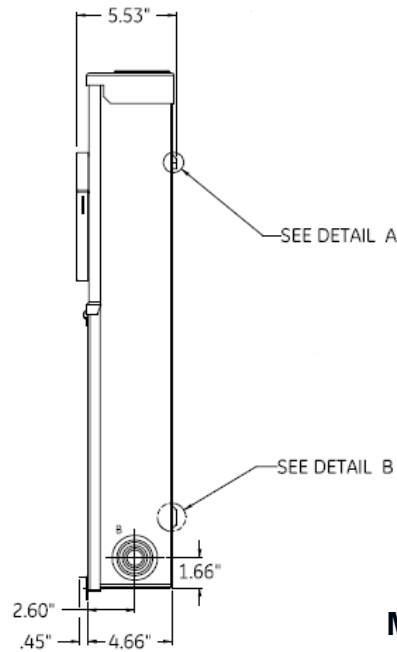
### Available Hubs

Cat#	Mod#	A-THD	B-DIA	C	D	E
TC75	2	" $\frac{3}{4}$ -14"	1.31	0.81	1.03	3.31
TC100	2	"1 - 11 $\frac{1}{2}$ "	1.53	0.69	1.03	3.31
TC125	2	"1 $\frac{1}{4}$ - 11 $\frac{1}{2}$ "	1.88	0.53	1.03	3.31
TC150	2	"1 $\frac{1}{2}$ " - 11 $\frac{1}{2}$ "	2.12	0.42	1.03	3.31
TC200	2	"2 - 11 $\frac{1}{2}$ "	2.62	0.2	1.03	3.31
TC250	2	"2 $\frac{1}{2}$ - 8"	3.19	NONE	1.22	3.31
TCCP Closing Cap	1	NONE	NONE	NONE	0.25	3.38

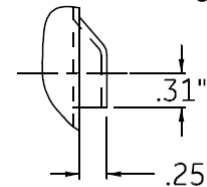
### Front View



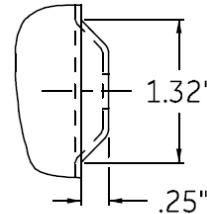
### Side View



### Closing Cap

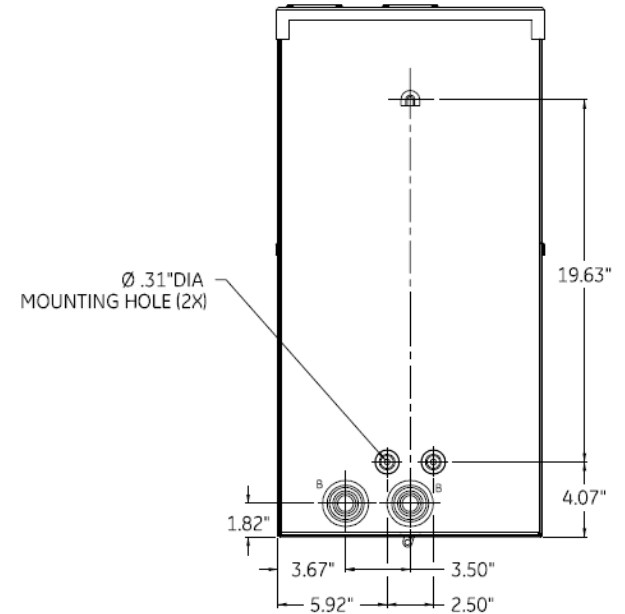


### Detail A



### Detail B

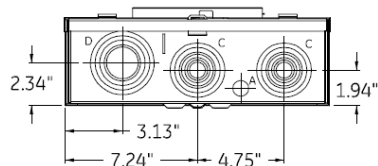
### Back View



### Main Wire Size

# 6 – 350MCM (AL/CU)

### Bottom View



All DIMENSIONS HAVE +/- .125 TOLERANCE

SYMBOL	SIZE	QTY.
A	1/2 KO	1
B	1/2 X 3/4 X 1 X 1 1/4 X 1 1/2 X 2 KO	3
C	1/2 X 3/4 X 1 X 1 1/4 X 1 1/2 X 2 X 2 1/2 KO	2
D	1 1/4 X 1 1/2 X 2 X 2 1/2 X 3 KO	1



imagination at work

Main Breaker THQMV- Ring - 150A 22K - 4/8 Circuits - N3R  
Encl - Surface Front - UG/OH Incoming Feed – UL Listed

CAT NO

DWG DATE

REV #

TSM415CSCU

6/4/2015

01