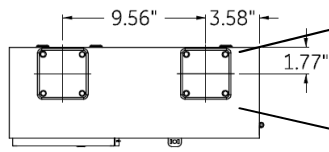
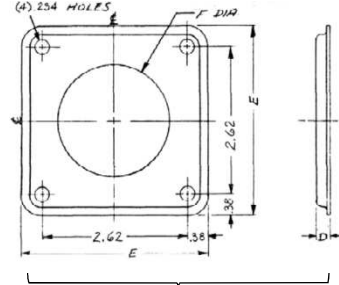
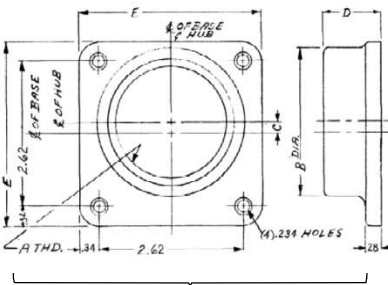


Top View



Hub Dimensions



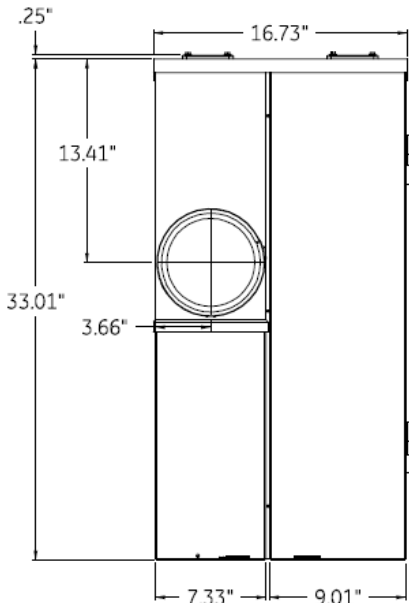
Available Hubs

Cat#	Mod#	A-THD	B-DIA	C	D	E
TC75	2	" $\frac{3}{4}$ -14"	1.31	0.81	1.03	3.31
TC100	2	"1 - 11 $\frac{1}{2}$ "	1.53	0.69	1.03	3.31
TC125	2	"1 $\frac{1}{4}$ - 11 $\frac{1}{2}$ "	1.88	0.53	1.03	3.31
TC150	2	"1 $\frac{1}{2}$ - 11 $\frac{1}{2}$ "	2.12	0.42	1.03	3.31
TC200	2	"2 - 11 $\frac{1}{2}$ "	2.62	0.2	1.03	3.31
TC250	2	"2 $\frac{1}{2}$ - 8"	3.19	NONE	1.22	3.31
TCCP Closing Cap	1	NONE	NONE	NONE	0.25	3.38

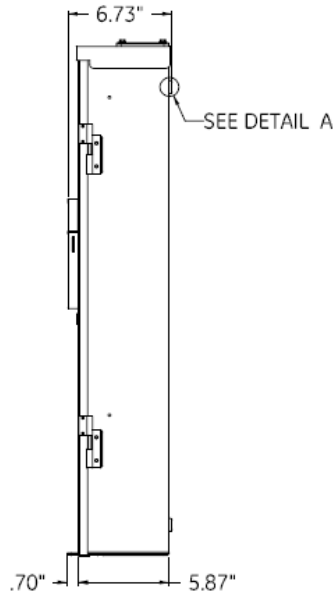
Hub

Closing Cap

Front View

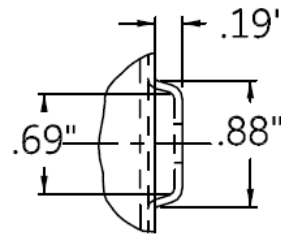


Side View



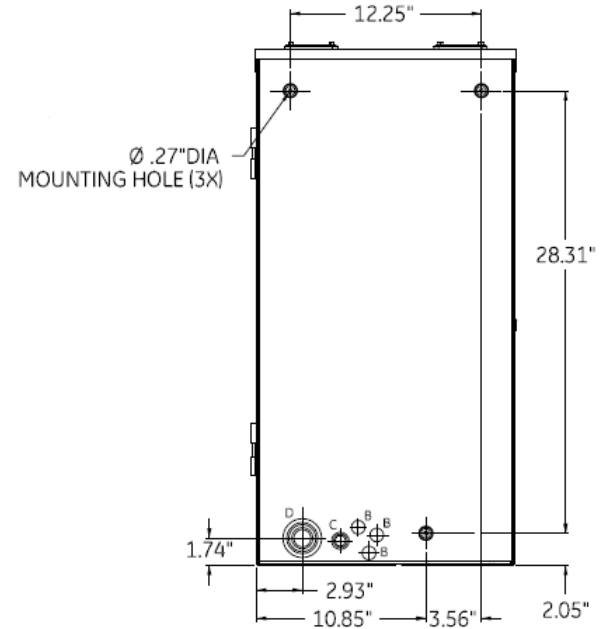
Main Wire Size

1 - 300MCM CU
2/0 - 250MCM AL

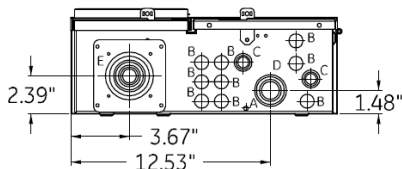


DETAIL A

Back View



Bottom View



ALL DIMENSIONS HAVE +/- .125 TOLERANCE

SYMBOL	SIZE	QTY.
A	9/32 KO	1
B	1/2 KO	12
C	3/8 X 1/2 X 3/4 KO	3
D	3/4 X 1 X 1 1/4 X 1 1/2 KO	2
E	1/2 X 3/4 X 1 X 1 1/4 X 1 1/2 X 2 X 2 1/2 KO	1



imagination at work

Main Breaker THQMV - Ring - 200A - 8/16 Circuits - N3R Encl - Surface Front - UG/OH Incoming Feed - EUSERC Listed

CAT NO

TSM820CSCU

DWG DATE

6/4/2015

REV #

01