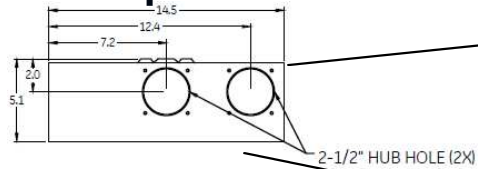
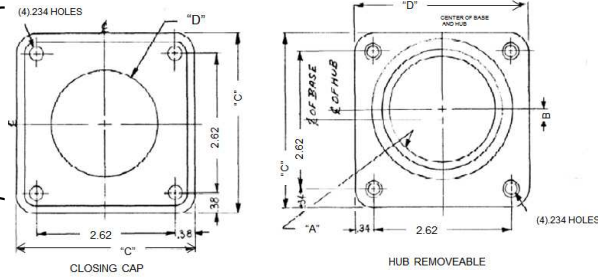


### Top View



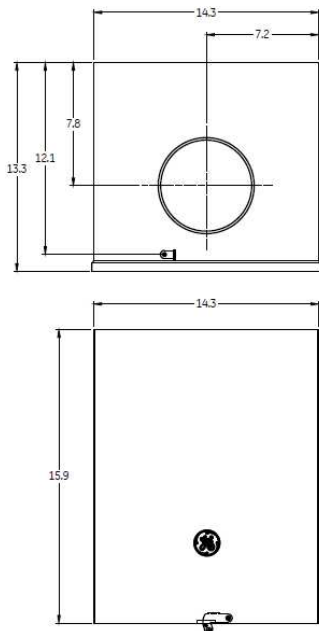
### Hub Dimensions



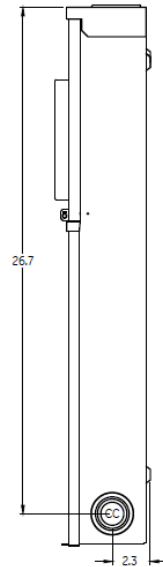
### Available Hubs

CAT. No.	MOD. No.	"A"-THD.	"C"	"E"	"F"	
TC 75	2	3/4 - 14	.81	3.31	NONE	FOR RAINTIGHT DEVICES WITH CAT. NO. ENDING IN RH
TC 100	2	1 - 11 1/4	.89			
TC 125	2	1 1/4 - 11 1/4	.53			
TC 150	2	1 1/2 - 11 1/4	.42			
TC 200	2	2 - 11 1/4	.20			
TC 250	2	2 1/2 - 8	NONE			
TCOP CLOSING CAP	1	NONE	NONE	3.38		
TCOP15 BUSHING PLATE	1	NONE	NONE	3.38	2000	FOR UNDERGROUND METER SOCKET LOAD CENTERS
TCOP20 BUSHING PLATE	1	NONE	NONE	3.38	2500	

### Front Separated View

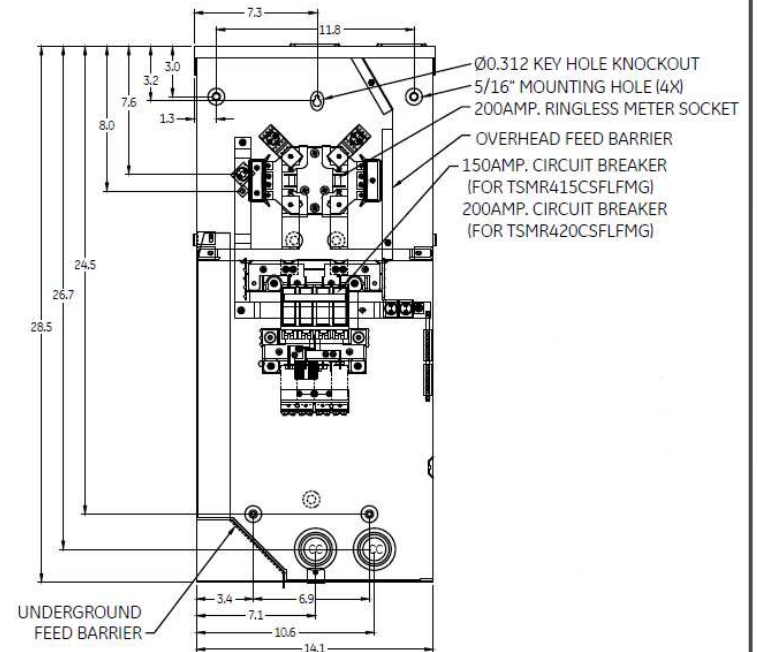


### Side View

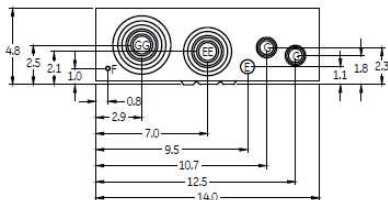


**Main Wire Size**  
#6 - 350MCM (Al/Cu)

### Inside View



### Bottom View



Note: All Dimensions have ±0.125 Tolerance

#### KNOCKOUT TABLE:

F = 9/32"
E = 3/4"
G = 1/2", 3/4", 1"
CC = 1/2", 3/4", 1", 1-1/4", 1-1/2", 2"
EE = 1/2", 3/4", 1", 1-1/4", 1-1/2", 2", 2-1/2"
GG = 1-1/4", 1-1/2", 2", 2-1/2", 3"



imagination at work

Main Breaker TMQV-Ringless-150A 22K - 4/8 Circuits - N3R Encl - Surface Front - UG/OH Incoming Feed - Feed-Thru Lugs - MEG Listed

CAT NO	DWG DATE	REV #
TSMR415CSFLFMG	6/4/2015	01