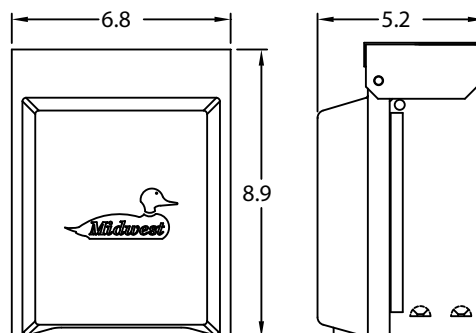


WIRE RANGE TABLE:

CONNECTOR	COPPER		ALUMINUM	
	SOLID	STRAND	SOLID	STRAND
LINE	14-8	14-6	12-8	12-6
LOAD	14-10	14-10	---	---
NEUTRAL	12-8	12-6	12-8	12-6
EQUIP. GRND.	12-8	12-2	12-8	12-2



KNOCKOUT TABLE:

S= 1/2", 3/4", 1", 1-1/4", 1-1/2" KO
G= 1/2", 3/4", 1" KO

SH2

MIDWEST ELECTRIC PRODUCTS, INC.  
Mankato, MN

Dr. By: JDE  
Ck. By:  
CR: R0746956

\* = Critical To Quality

Unless Otherwise Specified

Tolerances On:  
3 Pl. Decimals ± .010  
2 Pl. Decimals ± .030  
Fractions ± 1/32  
Angles ± 1/2°  
Holes ± .003

Dimensions Are In Inches

AutoCad Generated

SCALE: 1:1

SIZE: A

SHEET OF 1

TITLE: U010G  
OUTLINE DRAWING

DWG NO: 265A6209

Rev. 3 CR R111415 CLS 8-12-11  
Rev. 1 CR R0746956 JE 2-08  
Rev. 2 CR R100076 JPH 6-16-10