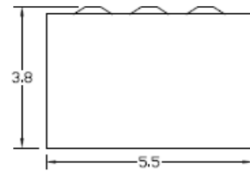


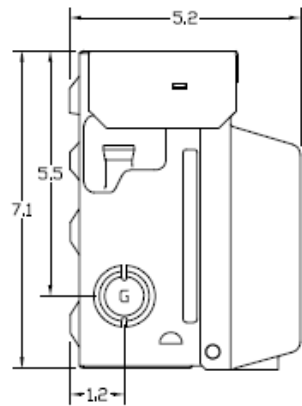
Top View



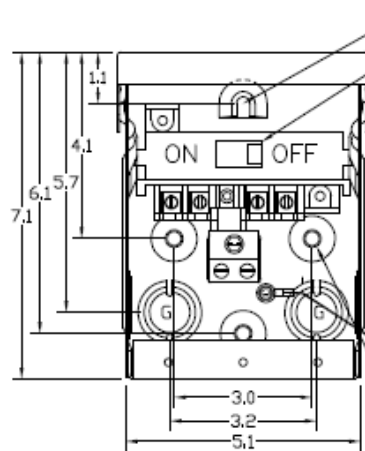
Wire Range Size

CONNECTOR	COPPER		ALUMINUM	
	SOLID	STRAND	SOLID	STRAND
LINE	14-8	14-2	12-8	12-2
LOAD	14-8	14-2	12-8	12-2
NEUTRAL	-----	-----	-----	-----
EQUIP. GRND.	12-8	12-2	12-8	12-2

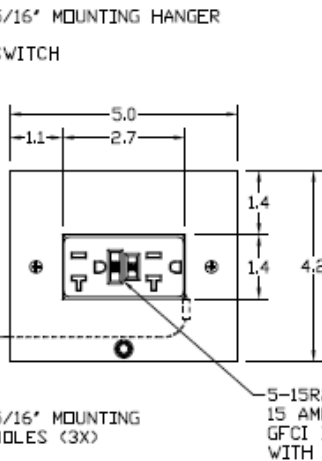
Left Side View



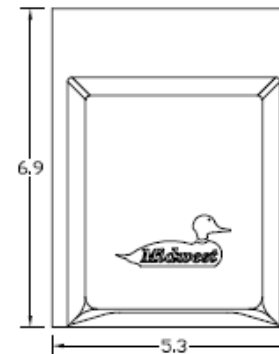
Front View Interior



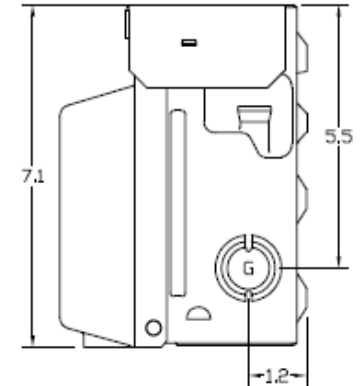
Front View Inside Cover



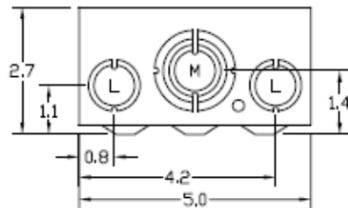
Front View External Cover



Right Side View



Bottom View



Knockouts

L= 1/2", 3/4" KO
G= 1/2", 3/4", 1" KO
M= 1/2", 3/4", 1", 1-1/4" KO

Receptacles

5-15R2GFI



MIDWEST 60A GD AC DISCONNECT NON-AUTO SWITCH
15A GFI RECEPT NON-FUSIBLE 1PH 10HP STEEL N3R ENCL

CAT NO	DWG DATE	REV #
U065NA1010	04/10/2016	02