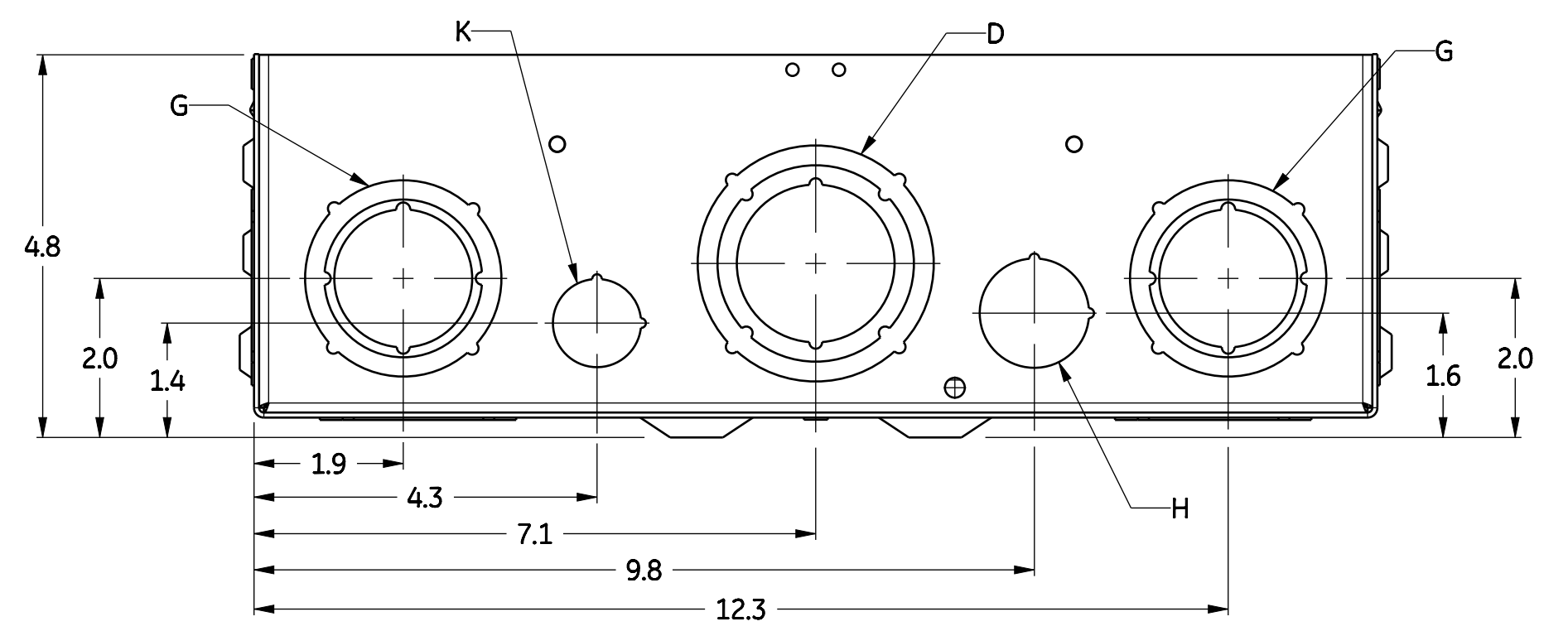
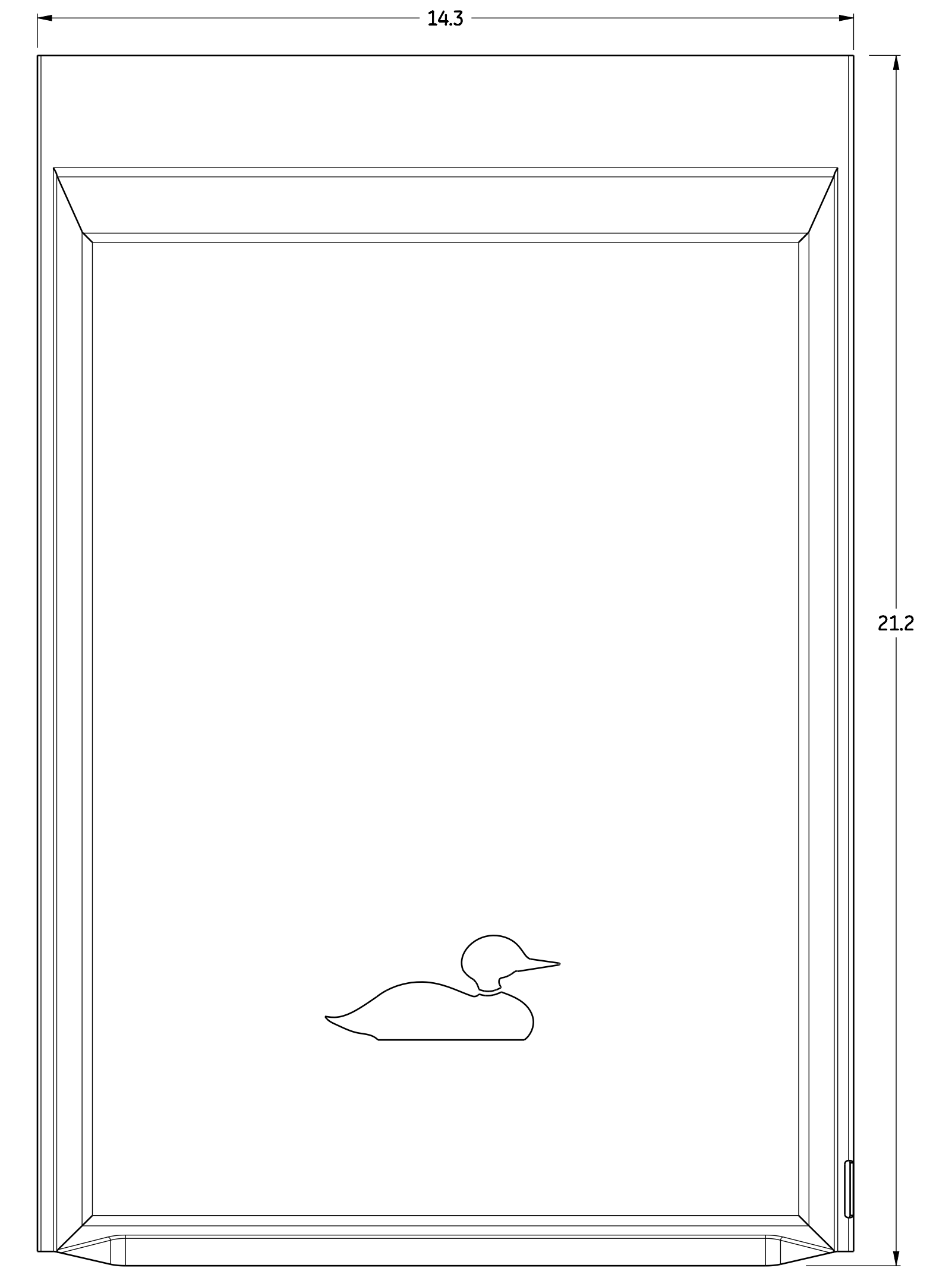
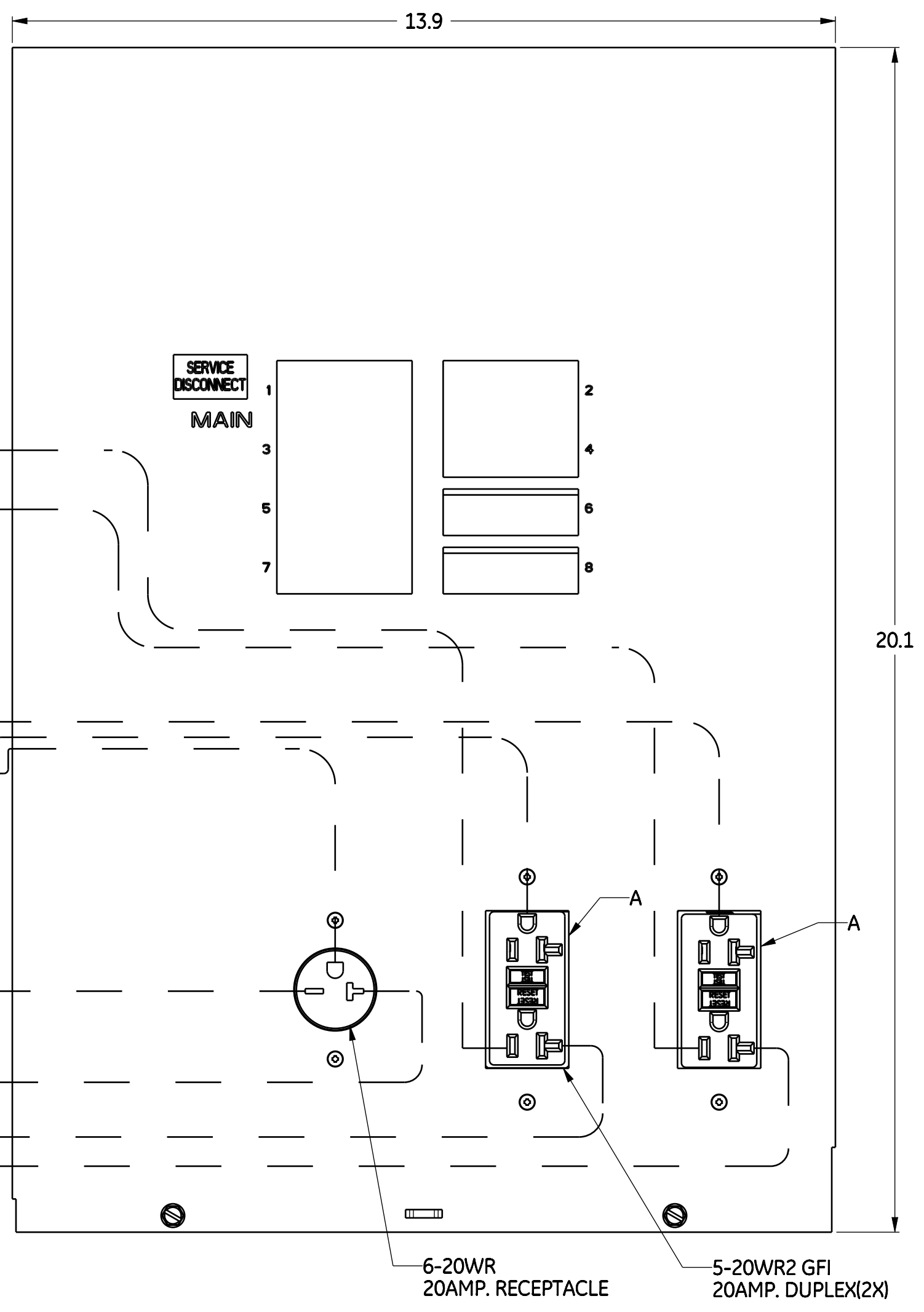
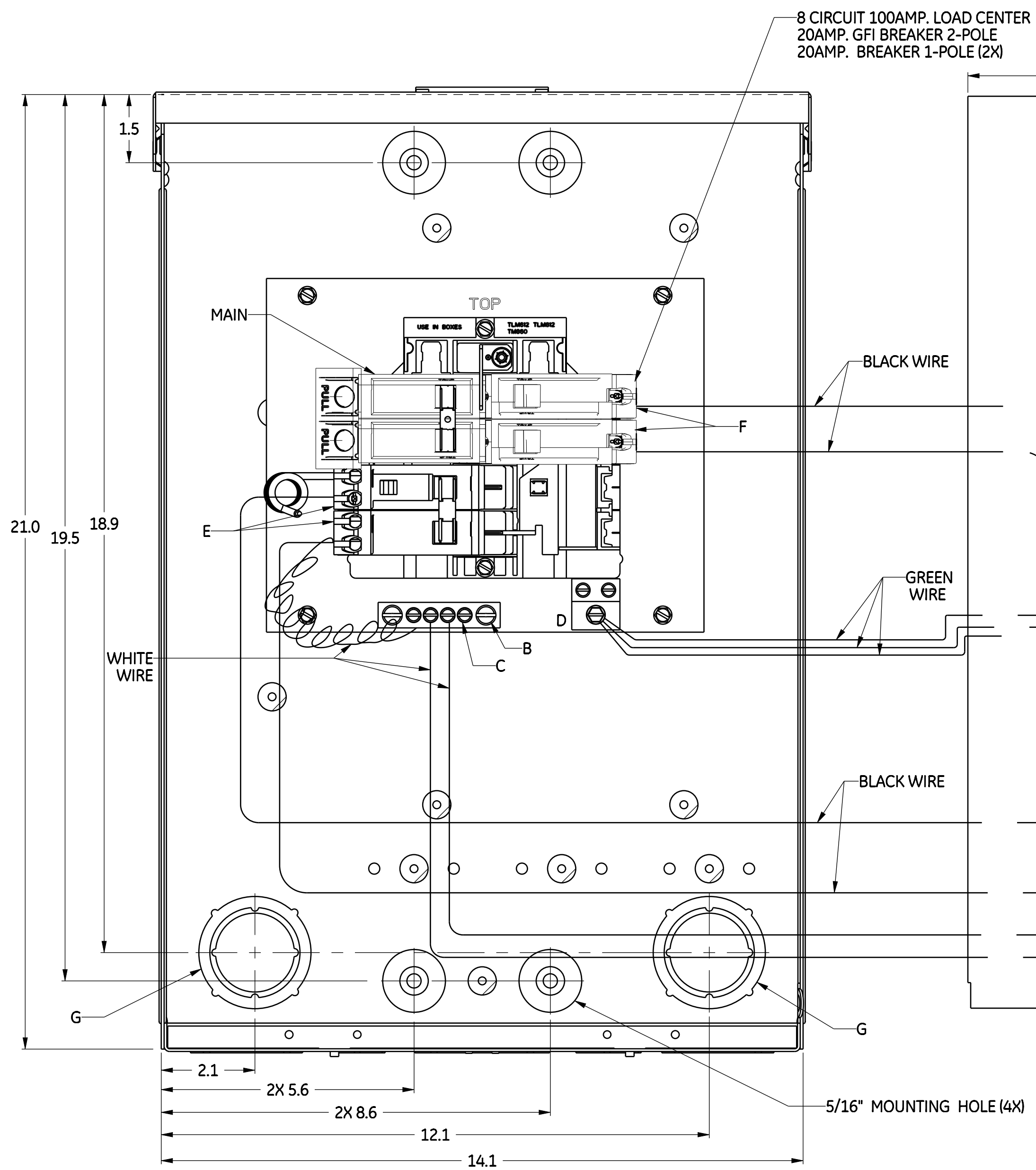
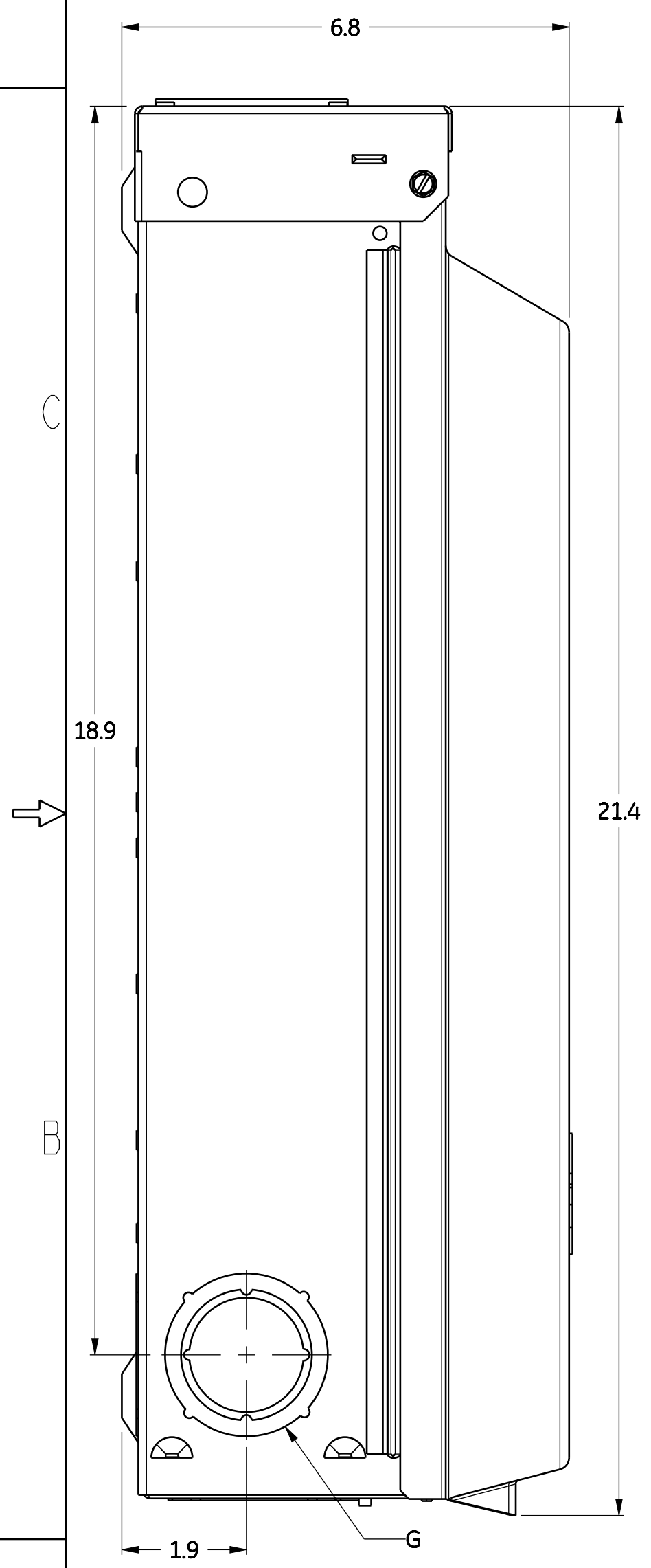
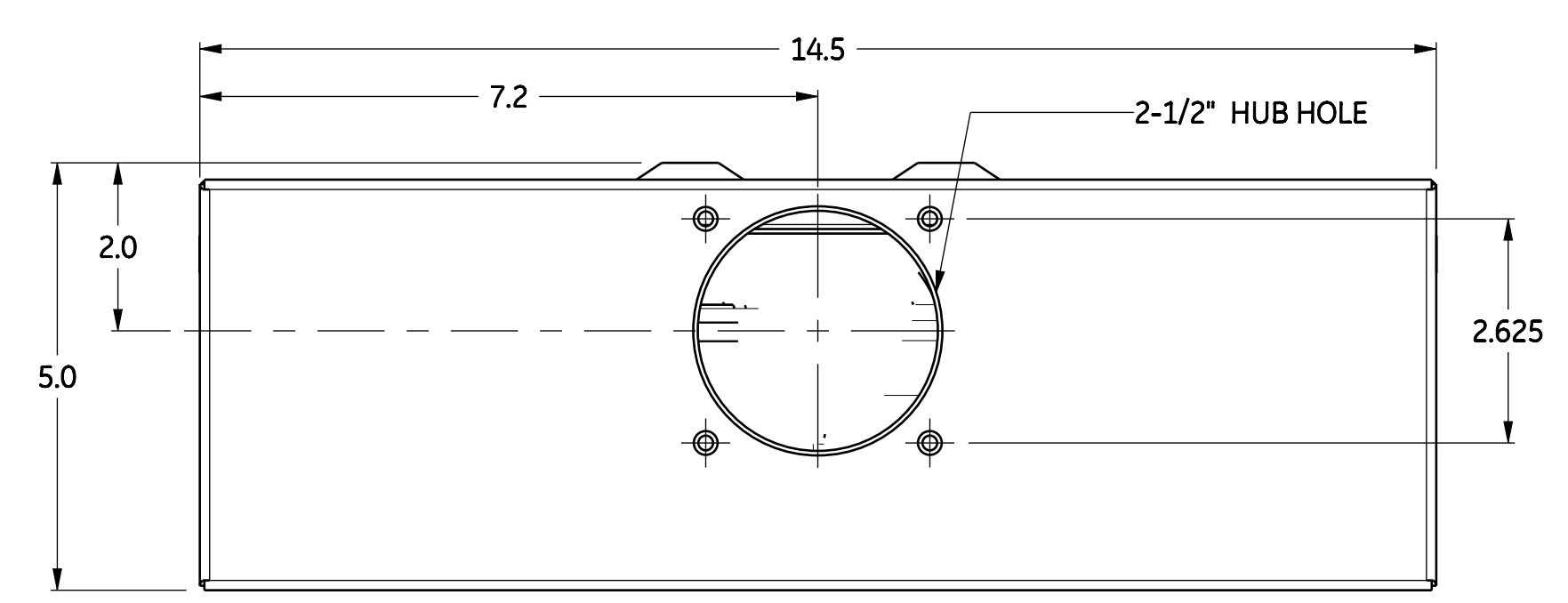


GE PROPRIETARY AND CONFIDENTIAL INFORMATION
 This document is the property of General Electric Company (GE) and contains proprietary information of GE. This document is loaned on the express condition that neither it nor the information contained therein shall be disclosed to others without the express written consent of GE Energy, and that the information shall be used by the recipient only as approved expressly by GE Energy. This document shall be returned to GE upon its request. This document may be subject to certain restrictions under U.S. export control laws and regulations.

SIZE	D	DRAWING NO.	U138MBC033	REV	A	SHEET	1
REVISIONS							
REV.	A	DESCRIPTION	ECN000275522	DATE	04-04-2023	APPROVED	WILL



KNOCKOUT TABLE:

G = 1 1/4" - 1 1/2" - 2" KO
K = 3/4" KO
D = 1 1/2" - 2" - 2 1/2" KO
H = 1" KO

	CIRCUIT PROTECTION	NAME	QUANTITY
MAIN (1 & 3)	THQL21100	2P 120/240V 100AMP	1
"E" 5 & 7	THQL2120GFT	GFCI 2P 20A 120V	1
"F" (2 & 4)	THQL1120	1 POLE 120/240V 20AMP	2

WIRE RANGE TABLE:

CONNECTOR	COPPER		ALUMINIUM	
	SOLID	STRANDED	SOLID	STRANDED
LINE	--	6-1/0	--	4-1/0
LOAD - PLUG/DUPLEX "A"	14-10	14-10	--	--
NEUTRAL END HOLE "B"	12-8	12-1/0	10-8	10-1/0
NEUTRAL SIDE HOLE "C"	14-8	14-4	12-10	12-4
EQUIP. GRD. - "D"	12-8	12-2	12-8	12-2

FOR ADDITIONAL INFO REFER TO:
 APPLIED PRACTICES: DIMENSIONS ARE IN INCHES
 UNLESS OTHERWISE SPECIFIED IN DRAWING
 TOLERANCE ON:
 1 PL DECIMALS ± 0.1
 2 PL DECIMALS ± 0.02
 3 PL DECIMALS ± 0.005
 ANGLES ± 1.0
 FRACTIONS ±
 FINISH

SIGNATURES: MODEL Siva.Y, DETAIL RAM, CHECKED, ENGRG, MFG, QUALITY, ISSUED

DATE: 3-19-23, 3-19-23, 4-1/0

DRAWING FILE: U138MBC033M01_OD
 SOLID MODEL: U138MBC033M01

Midwest Electric Products

TITLE: U138MBC033M01 OUTLINE DRAWING/100A 120/240A MAIN 9" 6-20R/20/20 W/MAIN BRK

TEMPORARY POWER SERVICE EQUIPMENT

SIZE: D, DRAWING: U138MBC033, REV: A

SCALE: 1:000, SHEET 1 OF 1

Part must conform to SI 900000 Sect. 4, Toxicity Procedure

