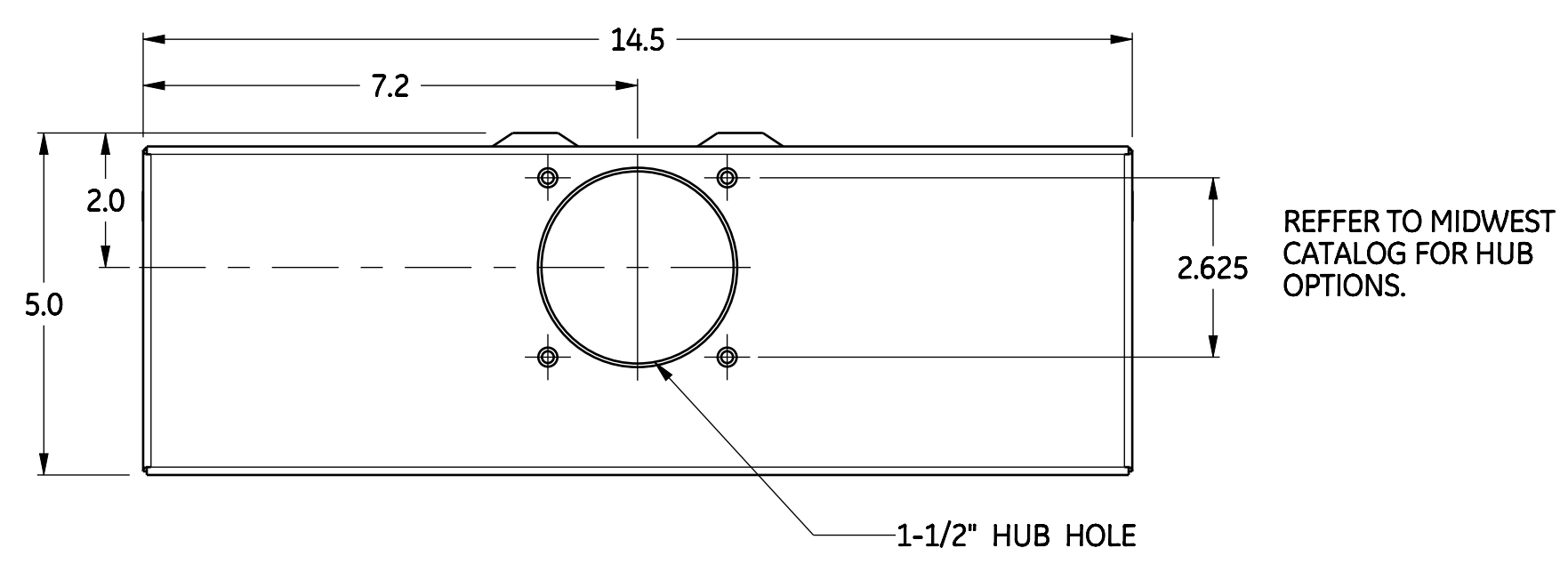
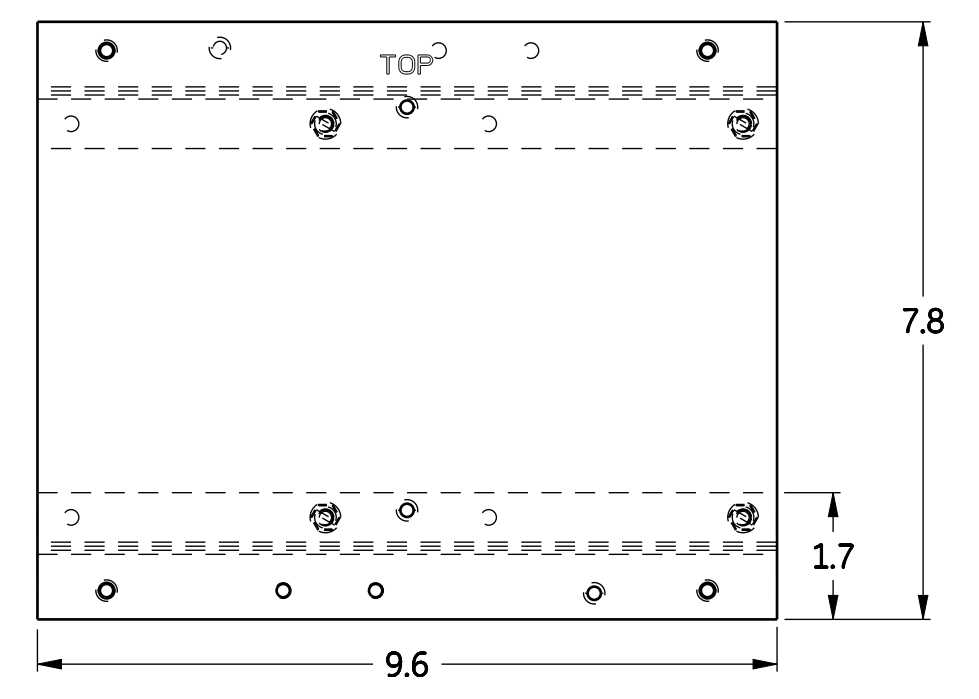
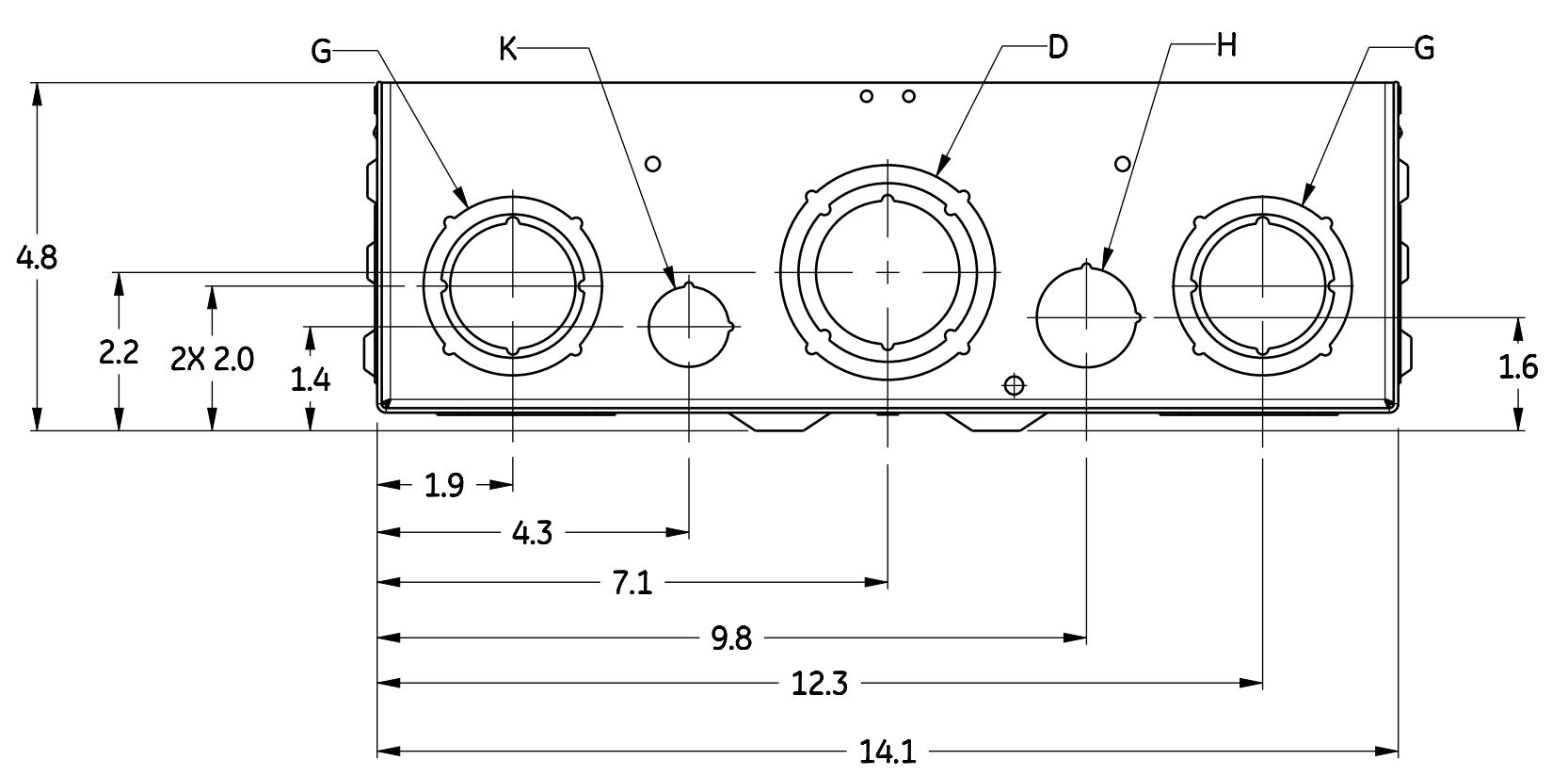
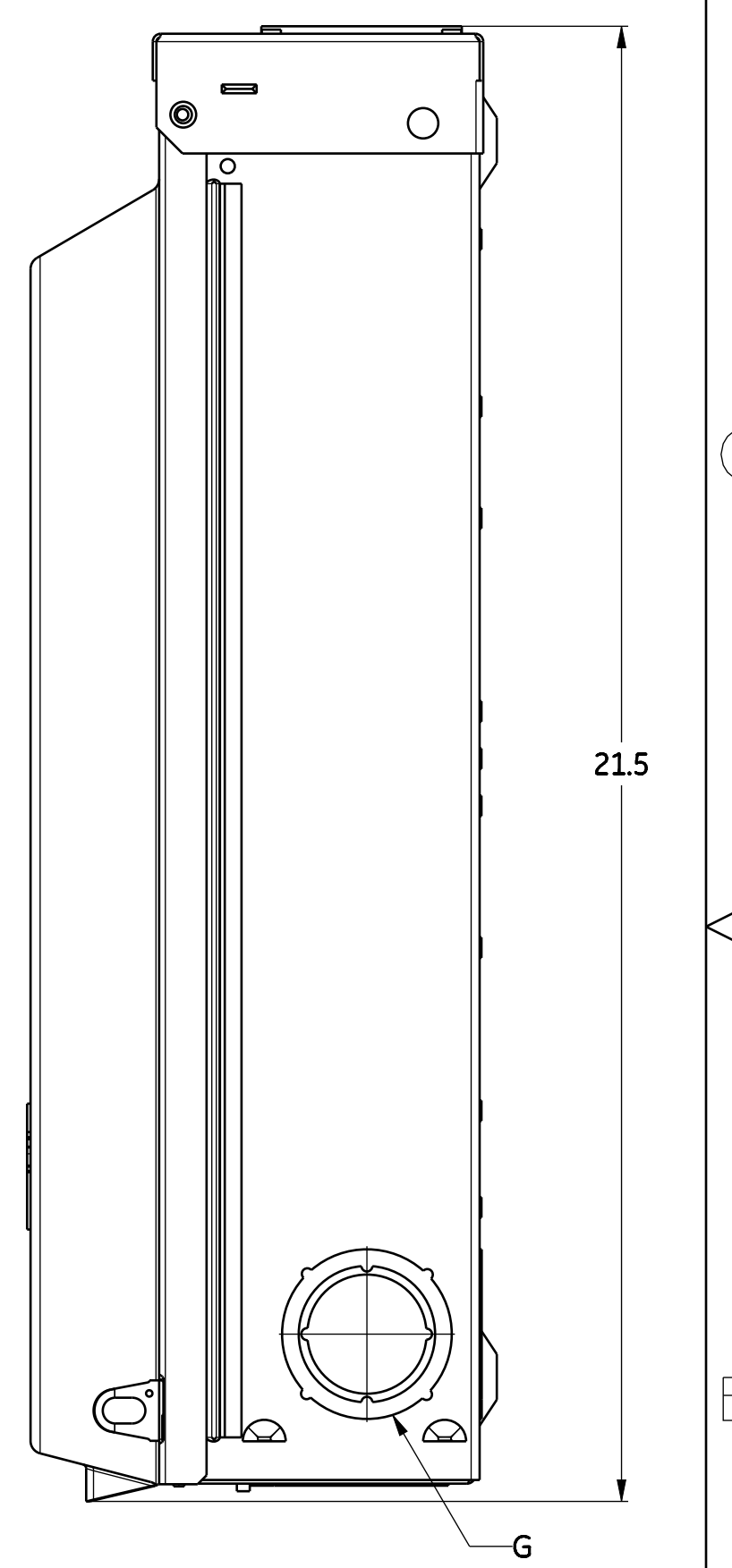
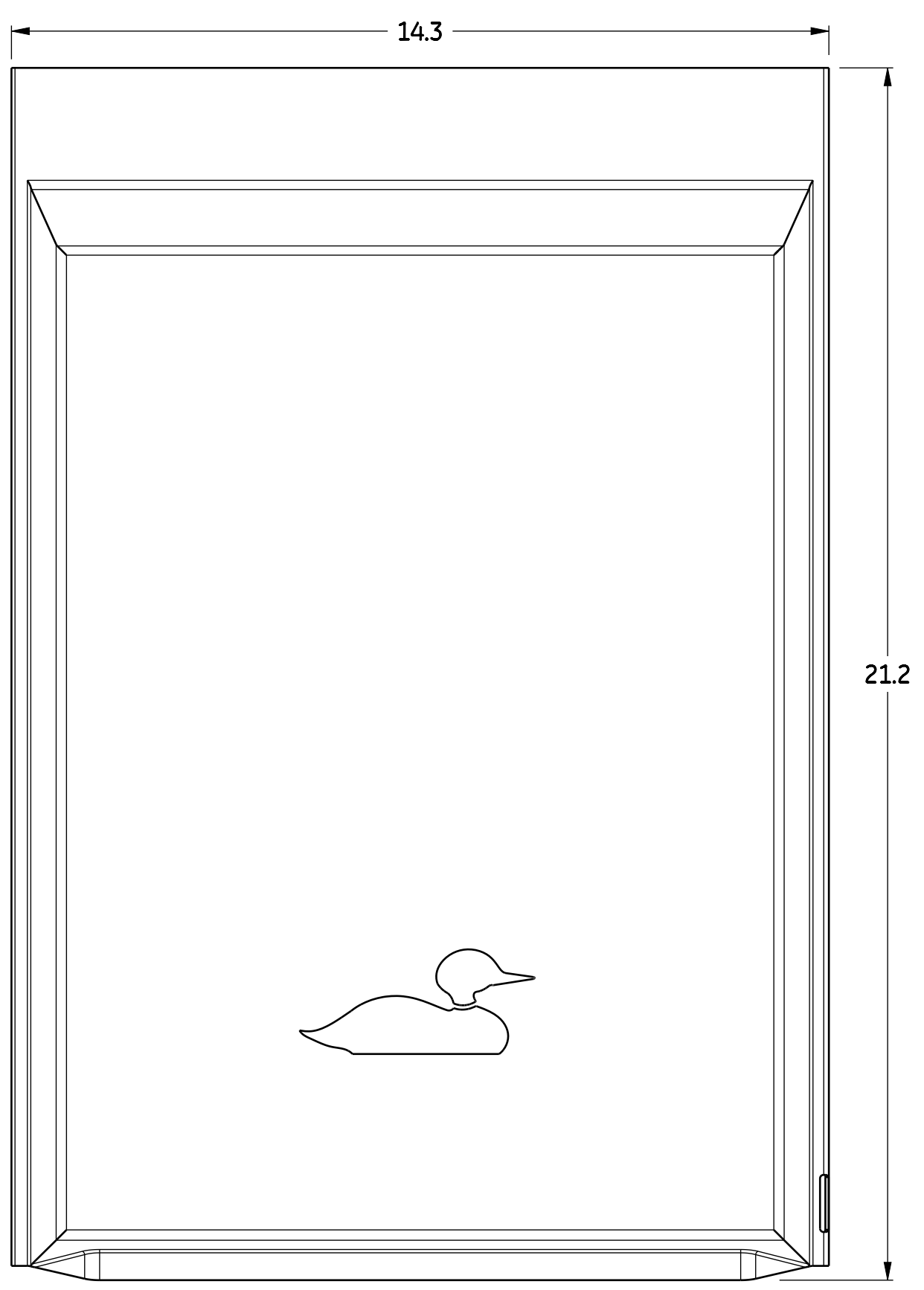
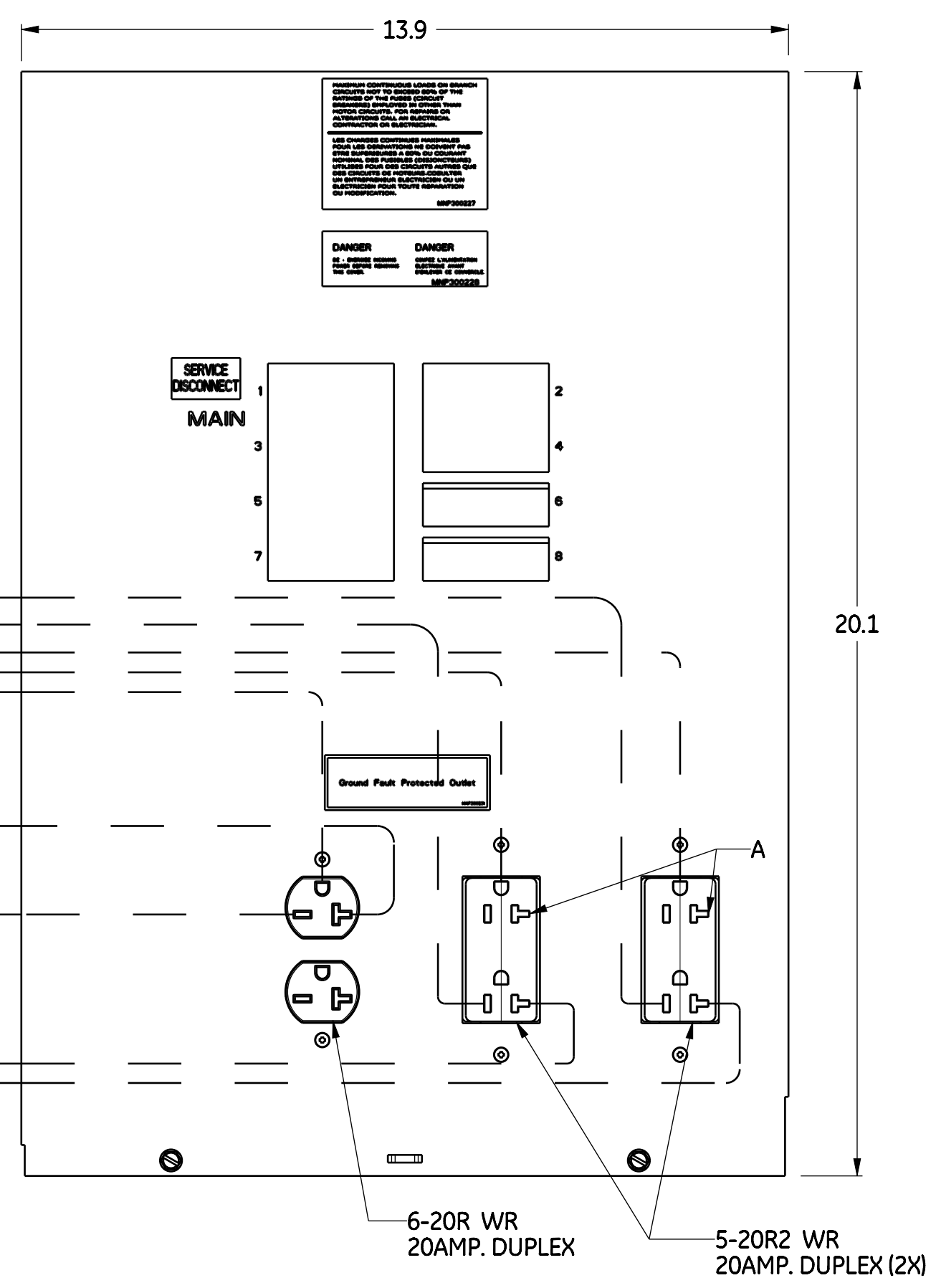
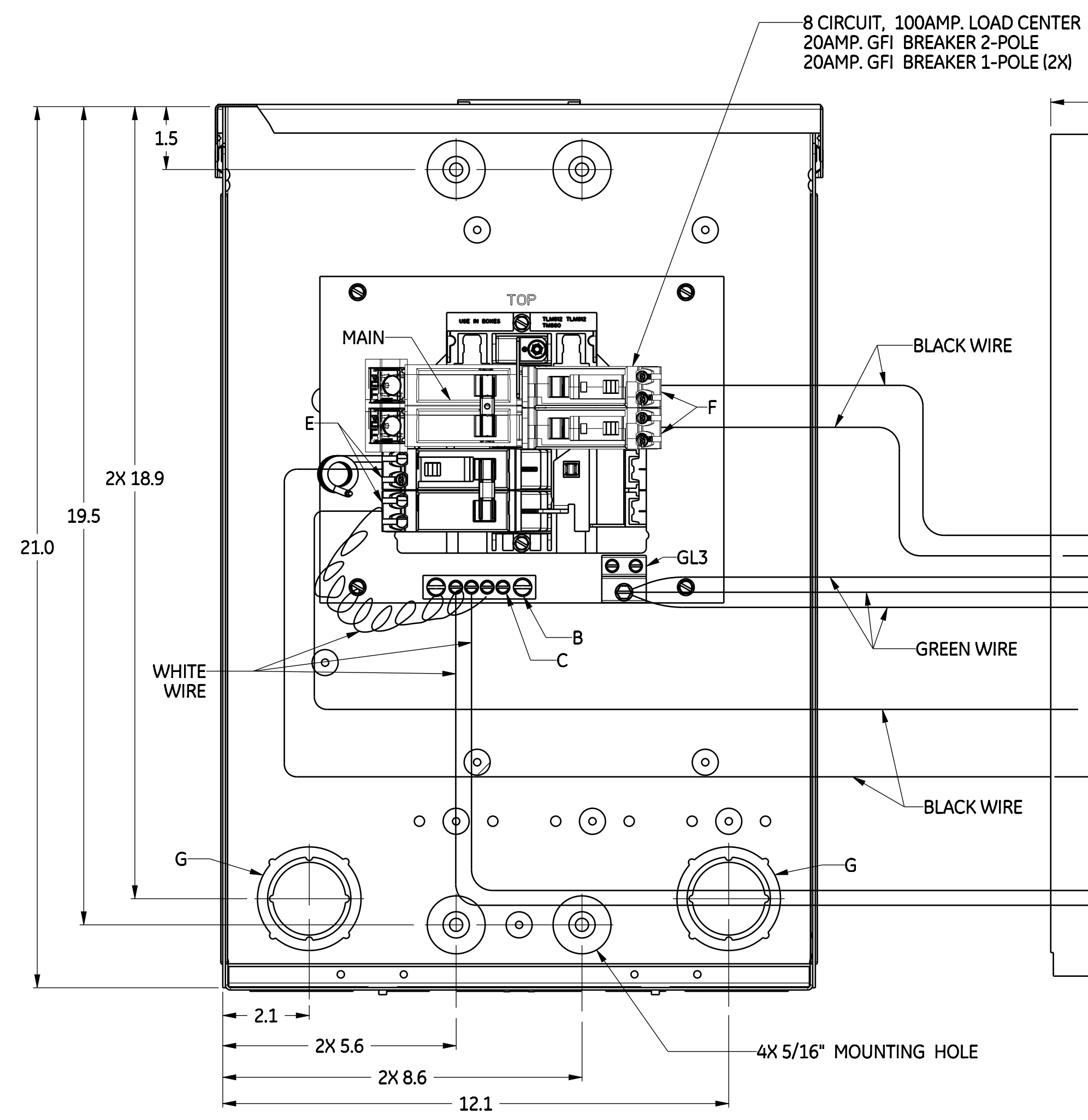
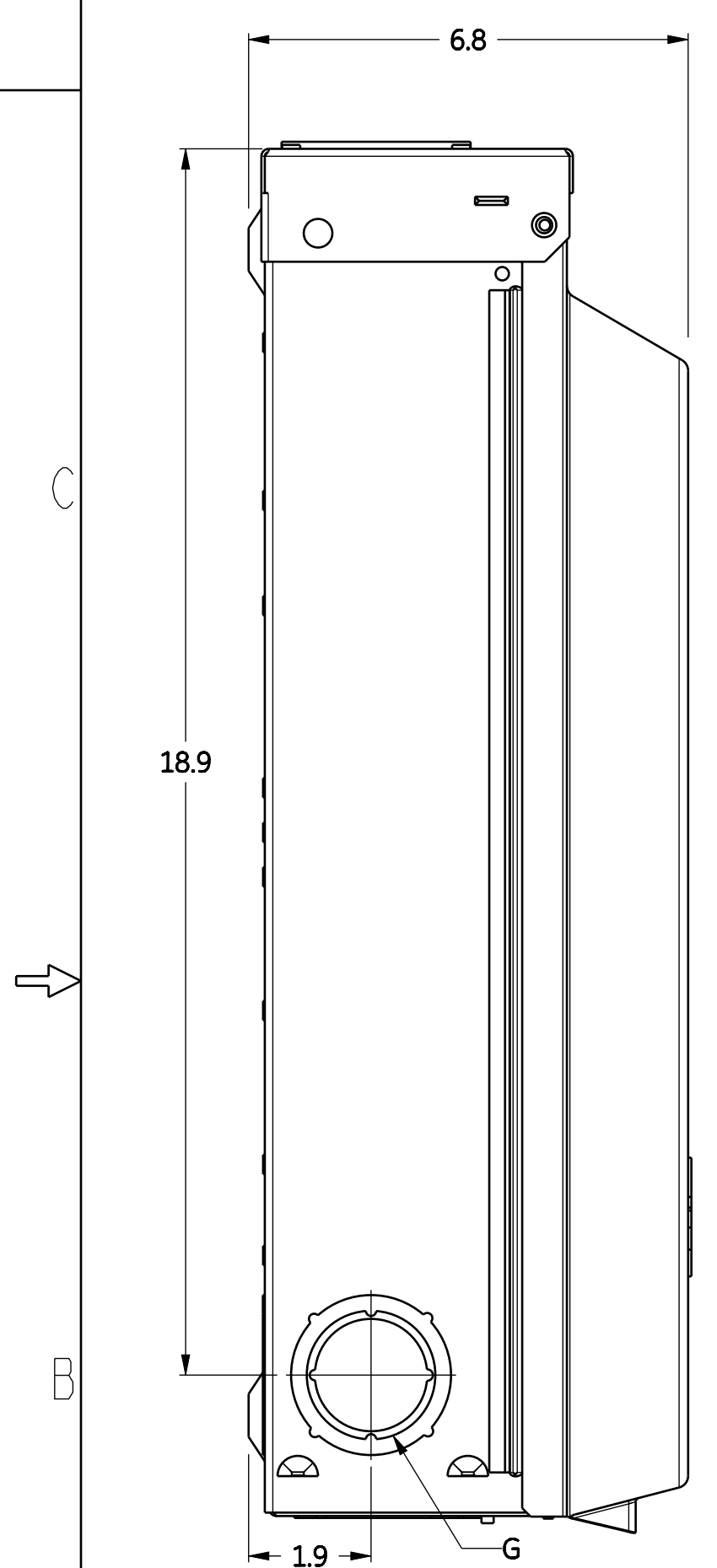


GE PROPRIETARY AND CONFIDENTIAL INFORMATION
 This document is the property of General Electric Company (GE) and contains proprietary information of GE. This document is loaned on the express condition that neither it nor the information contained therein shall be disclosed to others without the express written consent of GE Energy, and that the information shall be used by the recipient only as approved expressly by GE Energy. This document shall be returned to GE upon its request. This document may be subject to certain restrictions under U.S. export control laws and regulations.

REV.	DESCRIPTION	DATE	APPROVED
A	ECN000276582	RAMA 04-10-2023	WILL



REFER TO MIDWEST CATALOG FOR HUB OPTIONS.



CONNECTOR	COPPER		ALUMINIUM	
	SOLID	STRANDED	SOLID	STRANDED
LINE	--	6-1/0	--	4-1/0
LOAD - PLUG/DUPLEX "A"	14-10	14-10	--	--
NEUTRAL END HOLE "B"	12-8	12-1/0	10-8	10-1/0
NEUTRAL SIDE HOLE "C"	14-8	14-4	12-10	12-4
EQUIP. GRD.- GL3	12-8	12-2	12-8	12-2

G = 1 1/4" - 1 1/2" - 2" KO
K = 3/4" KO
D = 1 1/2" - 2" - 2 1/2" KO
H = 1" KO

CIRCUIT PROTECTION	NAME	QUANTITY
MAIN (1 & 3)	THQL21100 2P 120/240V 100AMP	1
"E" 5 & 7	THQL2120GFT 2 POLE 120/240V 20AMP	1
"F" (2 & 4)	THQL1120GFT 1P 120V 20A GFCI	2

FOR ADDITIONAL INFO REFER TO:	SIGNATURES	DATE
APPLIED PRACTICES	MODEL RAMA	1-23-23
DIMENSIONS ARE IN INCHES	DETAIL RAMA	1-23-23
UNLESS OTHERWISE SPECIFIED IN DRAWING	CHECKED	
TOLERANCE ON:	ENGRG	
1 PL DECIMALS ± 0.1	MFG	
2 PL DECIMALS ± 0.02	QUALITY	
3 PL DECIMALS ± 0.005	ISSUED	
ANGLES ± 1.0		
FRACTIONS ±		
FINISH		
CRITICAL TO QUALITY CHARACTERISTIC	DRAWING FILE: U138MBG033M01_OD	
	SOLID MODEL: U138MBG033M01	

Midwest Electric Products

TITLE: U138MBG033M01 OUTLINE DRAWING/100A 120/240A MAIN 14" 6-20R/20/20 W/MAIN BRK

TEMPORARY POWER SERVICE EQUIPMENT

SIZE: D DRAWING: U138MBG033 REV: A

SCALE: 1:000 SHEET 1 OF 1

Part must conform to SI 900000 Sect. 4, Toxicity Procedure

