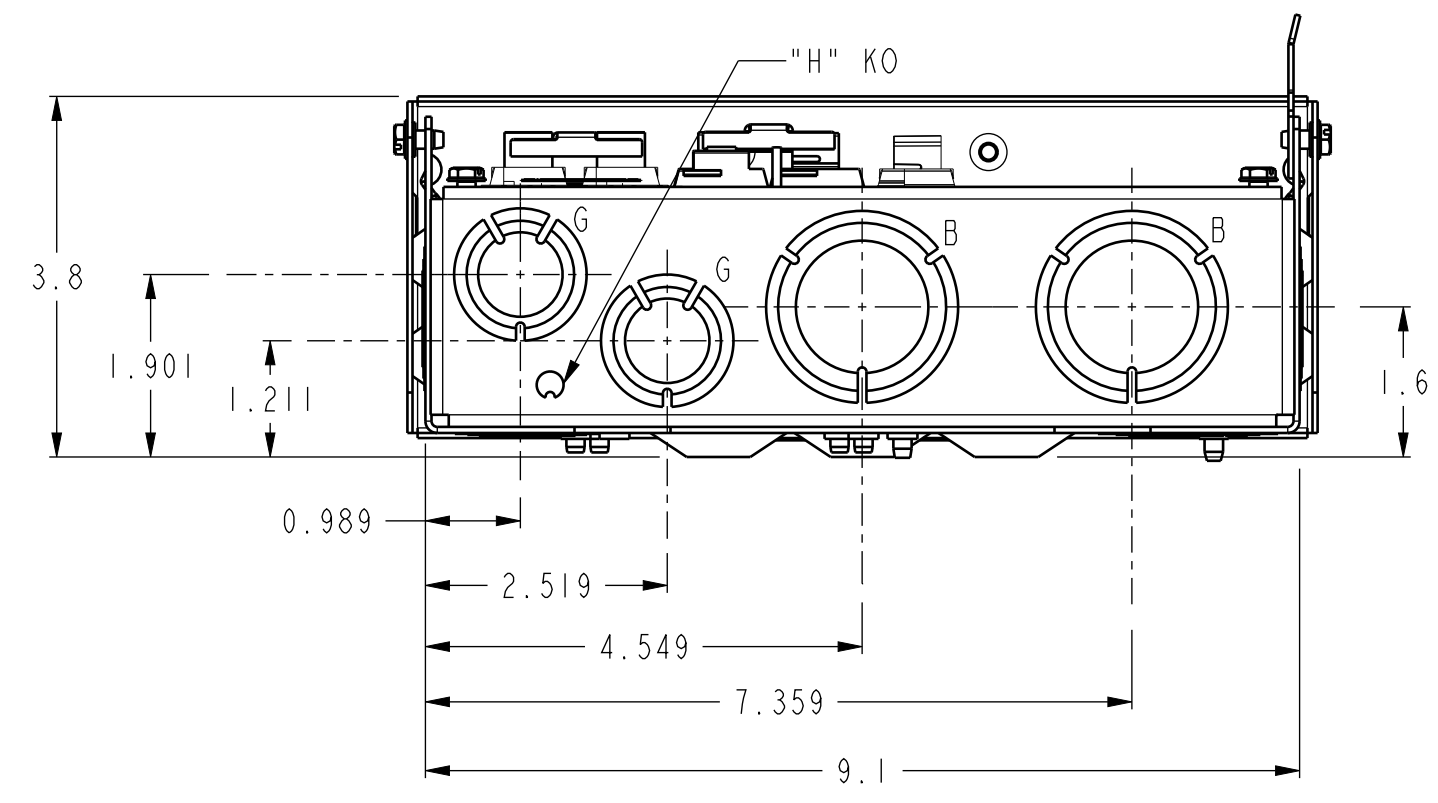
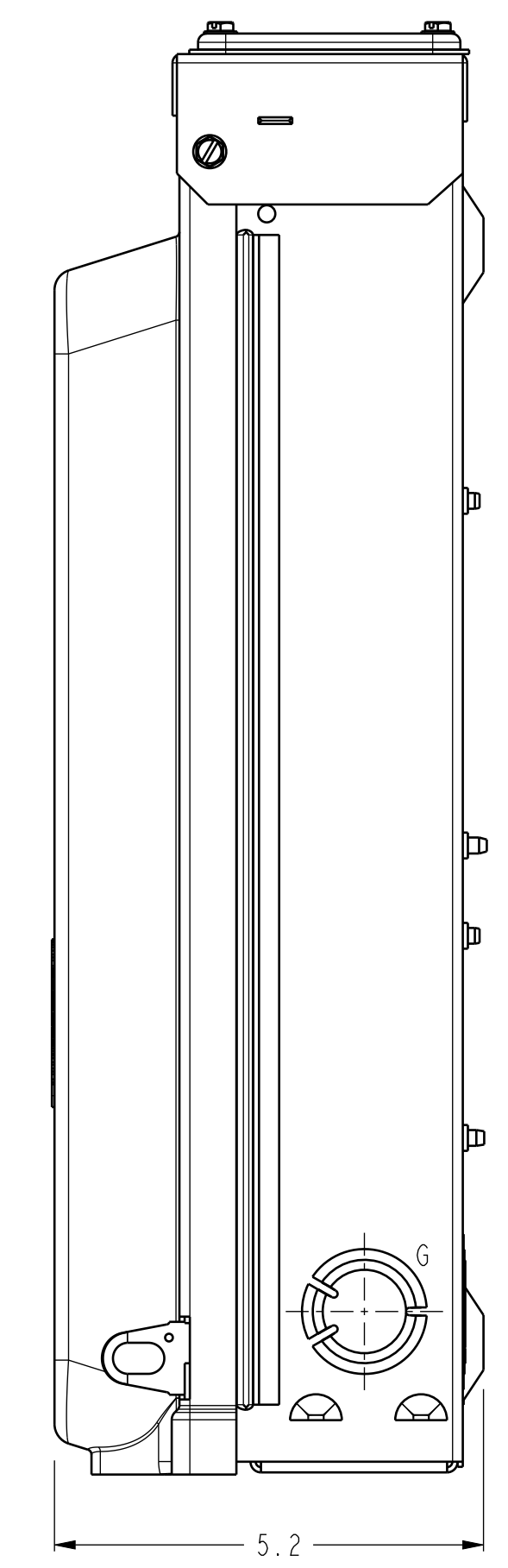
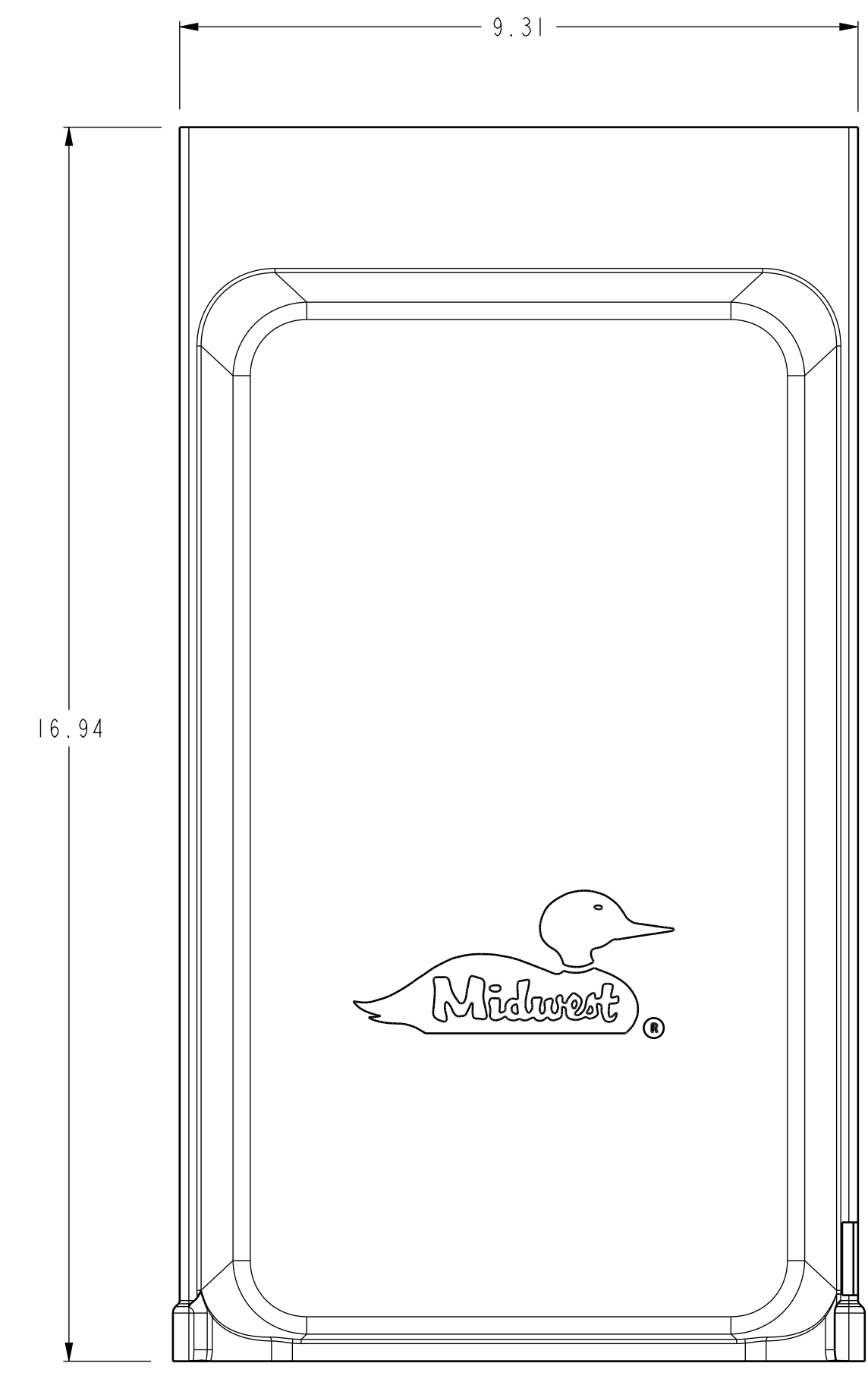
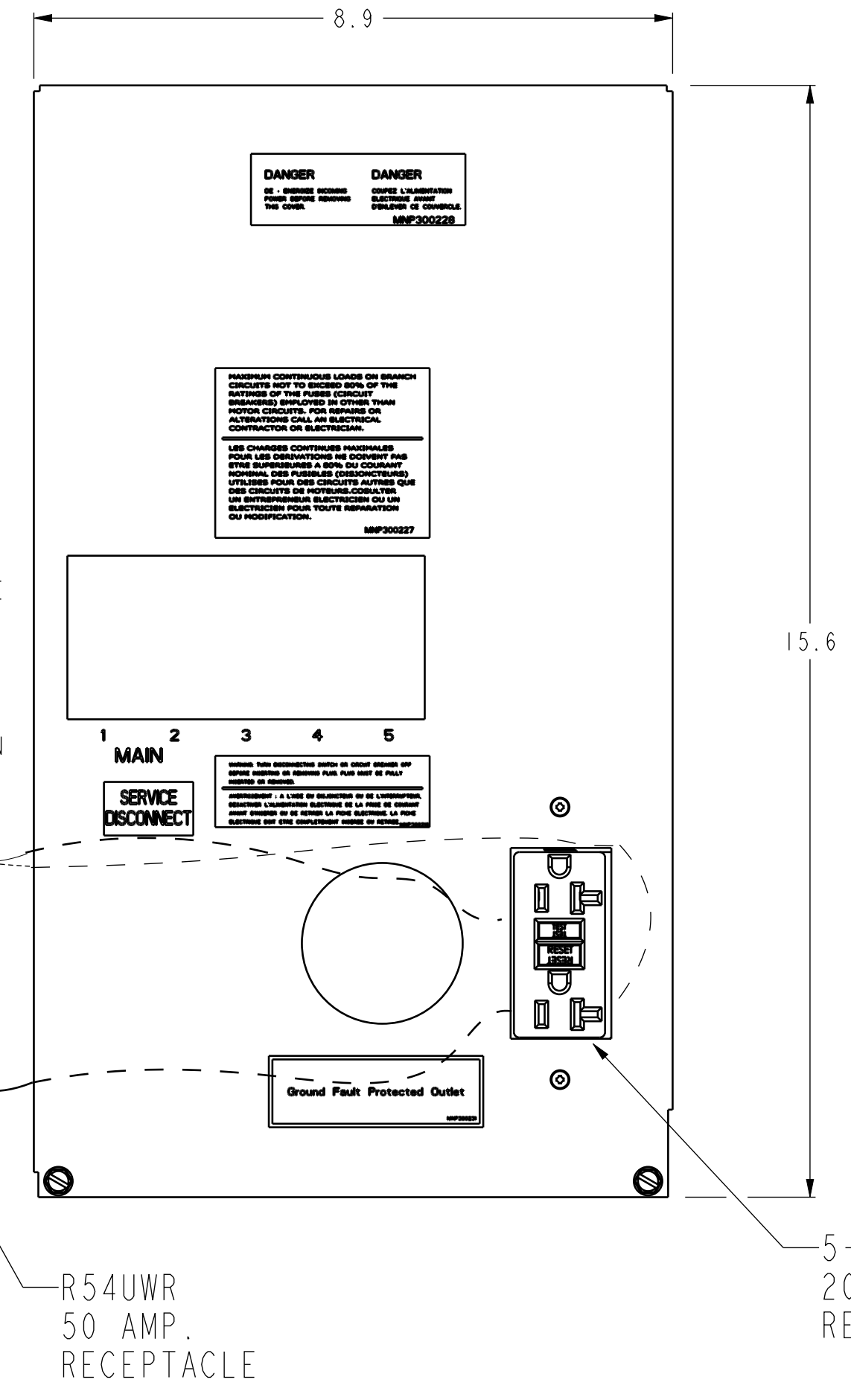
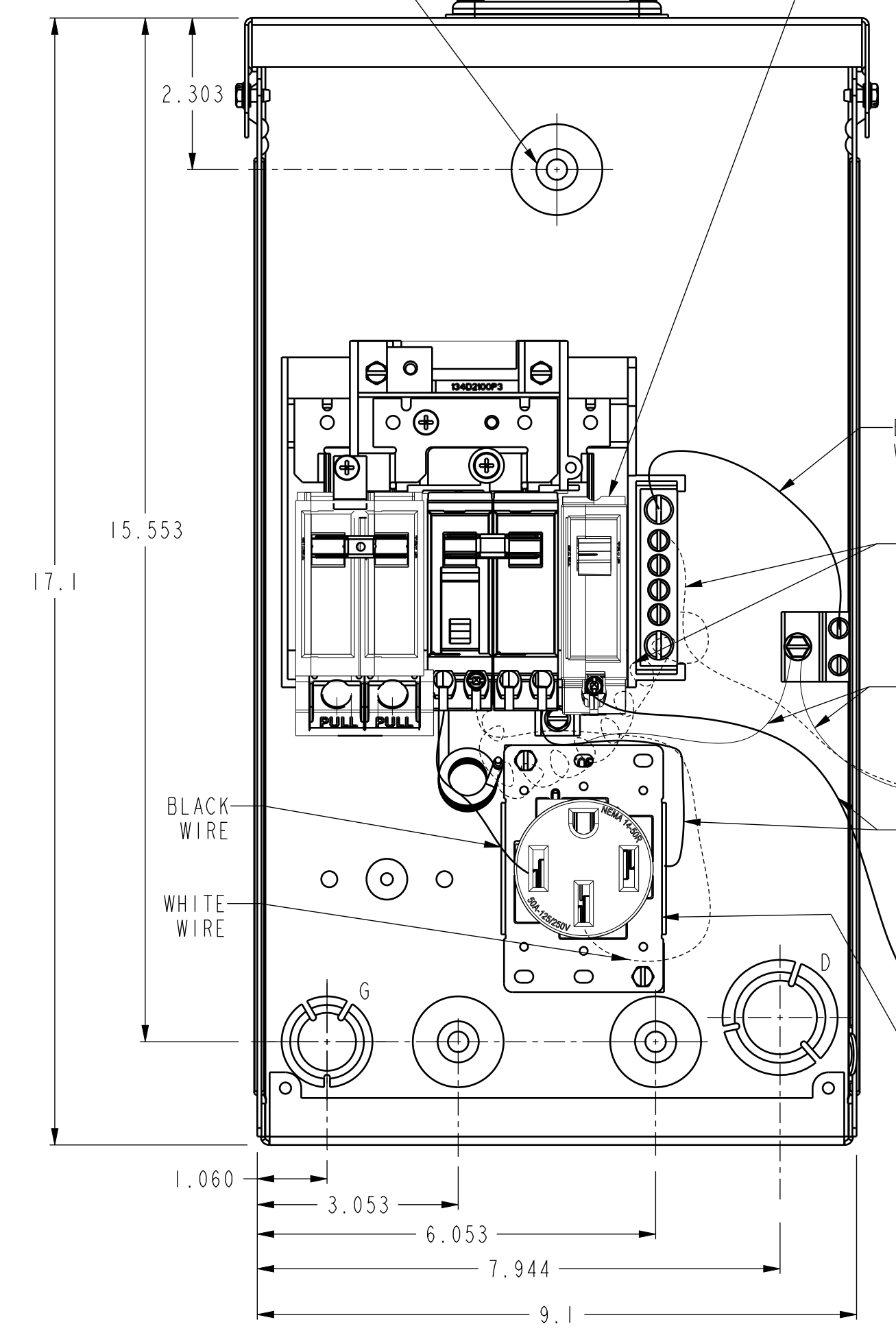
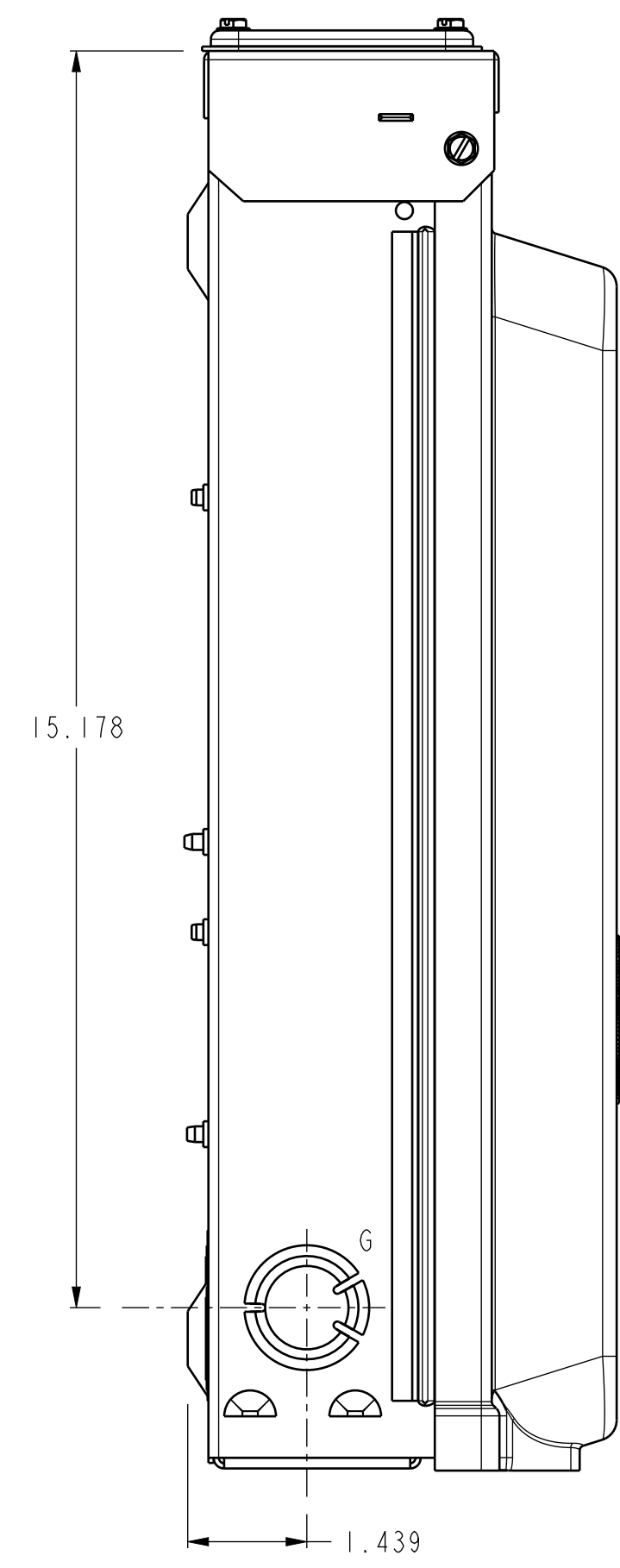


Fig. A
U155MBC033
R54UWR, 20A GFCI

5/16" MOUNTING HOLE (X3)
5 CIRCUIT 70 AMP LOAD CENTER
50 AMP. GFI BREAKER 2- POLE
20 AMP. BREAKER 1- POLE



KNOCKOUT TABLE:

G	= 1/2", 3/4", 1" KO
D	= 3/4", 1", 1-1/4" KO
B	= 1", 1-1/4", 1-1/2" KO
H	= 9/32" KO

WIRE RANGE TABLE:

CONNECTOR	COPPER		ALUMINIUM	
	SOLID	STRANDED	SOLID	STRANDED
LINE	--	8-3	--	8-3
LOAD 5-20WR2	14-10	14-10	--	--
NEUTRAL-END HOLE	12-8	12-1/0	10-8	10-1/0
NEUTRAL-SIDE HOLE	14-8	14-4	12-10	12-4
EQUIP. GRND	12-8	12-2	12-8	12-2

	CIRCUIT PROTECTION	NAME	QUANTITY
MAIN (1 & 2)	THOL2170	2P 120/240V 10K IC 70 AMP	1
3 & 4	THOL2150GFT2	THOL 2P 120/240V 50A GFT2	1
5	THOL1120	1 POLE 120/240V 20AMP	1

Midwest Electric Products

TITLE: U155MBC033M01, CUL 6 1/2X14 70A GFCI BKR W/MAIN BKR

OUTLINE DRAWING

SIZE: D MODEL: U155MBC033M01 REV: C

SCALE: 1:2 OUTLINE DRAWING SHEET 1 OF 1