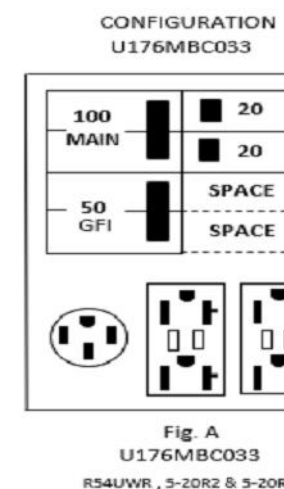
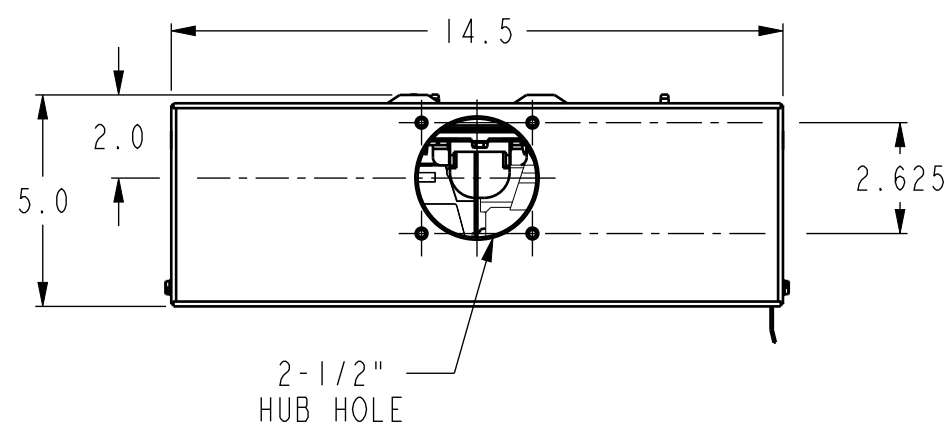


14

13

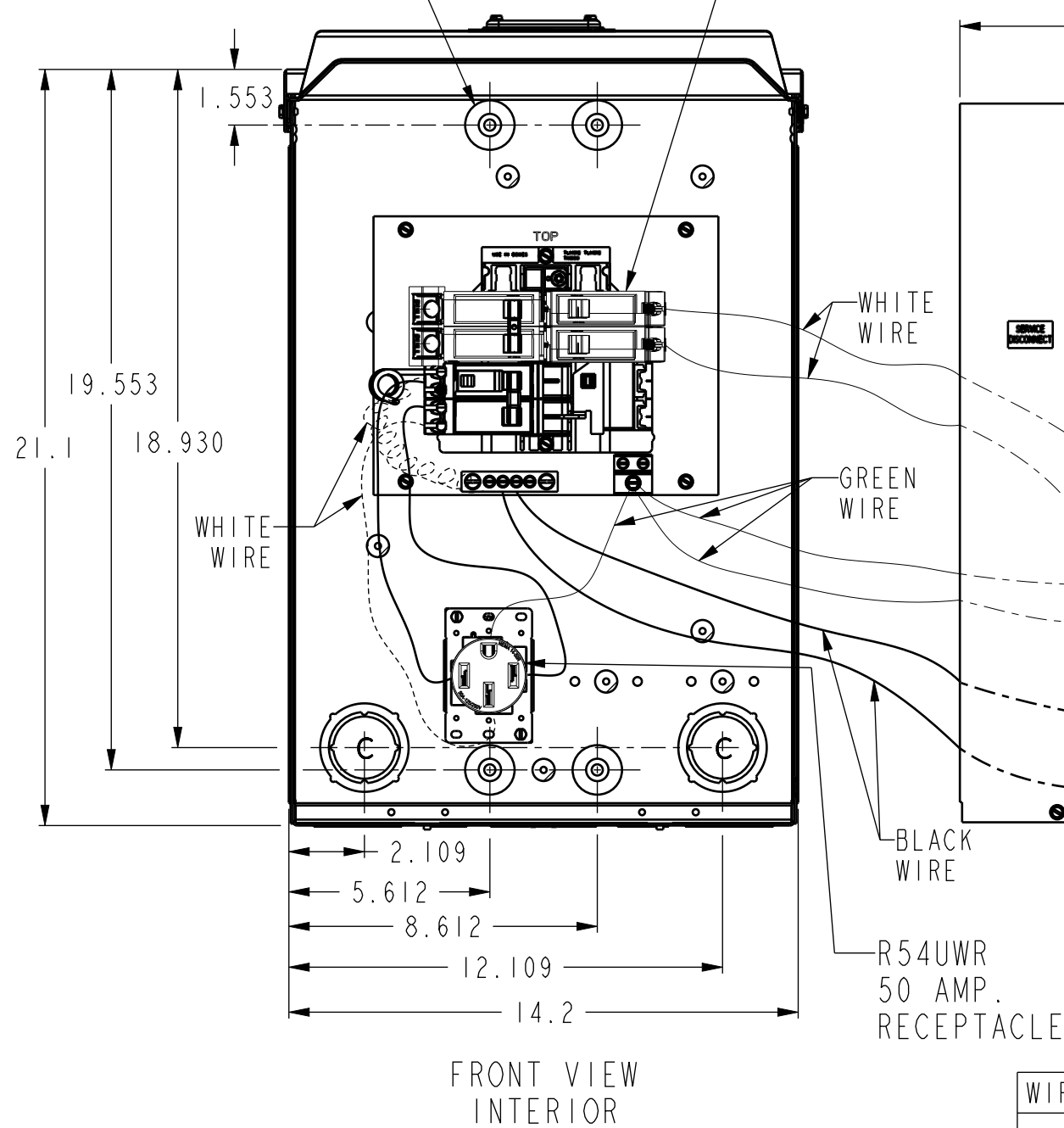
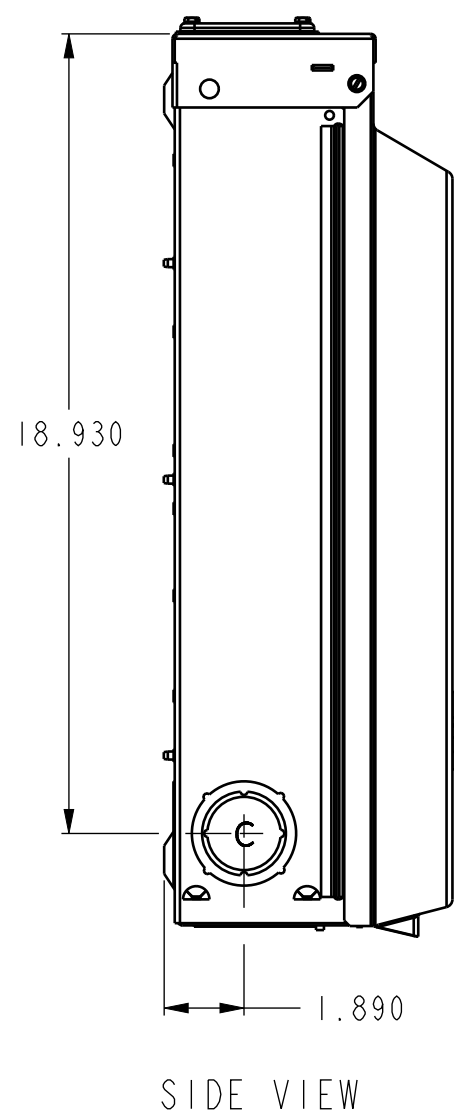
12



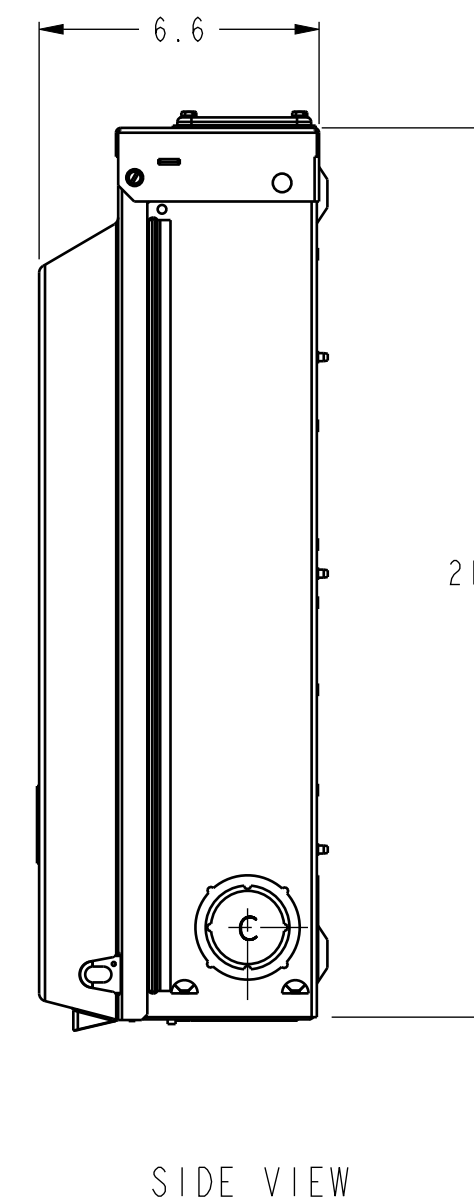
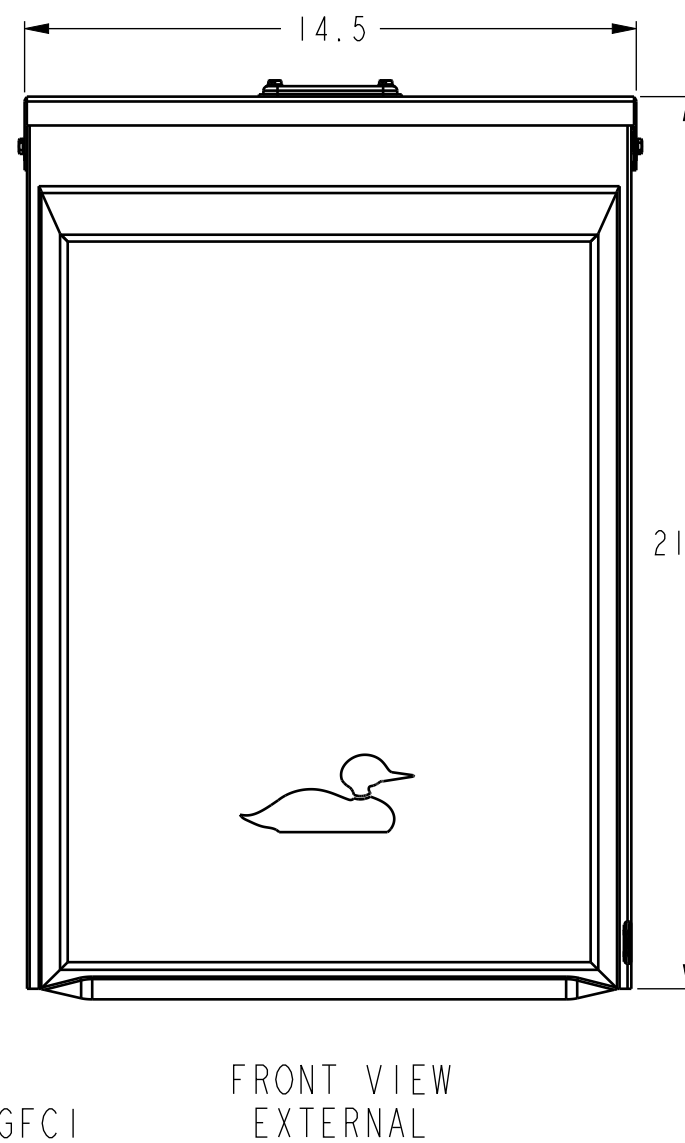
5/16" MOUNTING HOLES (4X)

8 CIRCUIT 100 AMP. LOAD CENTER  
MAIN - 100 AMP BREAKER 2- POLE  
50 AMP GFI BREAKER 2-POLE  
20 AMP BREAKER 1-POLE (2X)

BREAKER KO



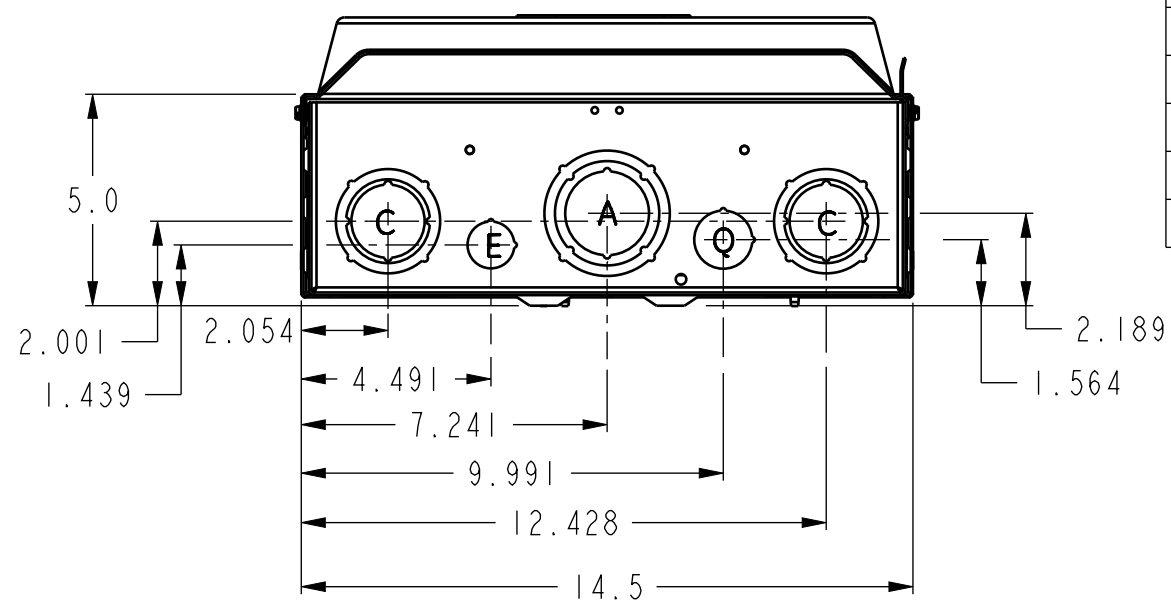
FRONT VIEW INSIDE COVER



WIRE RANGE TABLE:

CONNECTOR	COPPER		ALUMINIUM	
	SOLID	STRANDED	SOLID	STRANDED
LINE	--	8-3	--	8-3
LOAD 5-20WR2	14-10	14-10	--	--
NEUTRAL-END HOLE	12-8	12-1/0	10-8	10-1/0
NEUTRAL-SIDE HOLE	14-8	14-4	12-10	12-4
EQUIP. GRND	12-8	12-2	12-8	12-2

	CIRCUIT PROTECTION	NAME	QUANTITY
MAIN (1 & 3)	THQL21100	2P 120/240V 10K IC 100 AMP	1
5 & 7	THQL2150GFT2	2P 120/240V 50A GFCI Self-Test	1
2 & 4	THQL1120	1 POLE 120/240V 20AMP	2



KNOCKOUT TABLE:

C= 1-1/4", 1-1/2", 2" KO
A= 1-1/2", 2", 2-1/2" KO
E= 3/4" KO
Q= 1" KO

Midwest Electric Products

TITLE

OUTLINE DRAWING U176MBC033  
CUL 14X21 100A GFCI RCP/GFI BRKR

SIZE	MODEL	REV
C	U176MBC033	C
SCALE: 1:10	OUTLINE DRAWING	SHEET 1 OF 1

14

13

12

11