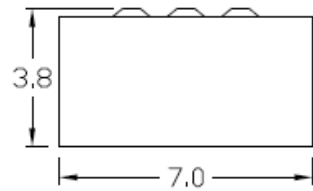


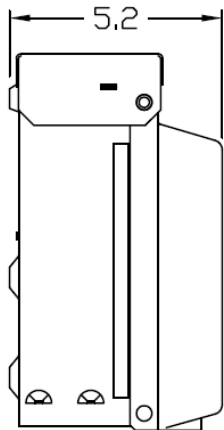
Top View



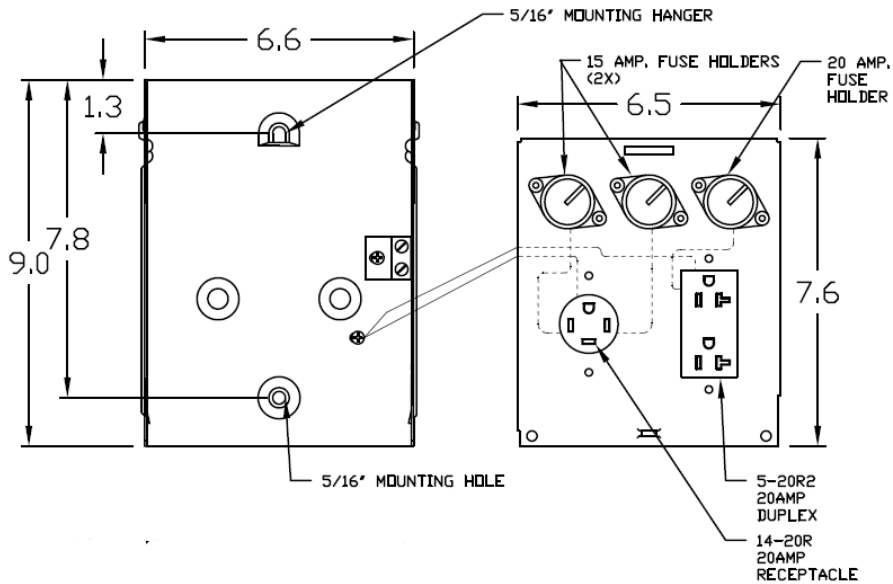
Wire Range Chart

CONNECTOR	COPPER		ALUMINUM	
	SOLID	STRAND	SOLID	STRAND
LINE	14-10	14-10	-----	-----
LOAD	14-10	14-10	-----	-----
NEUTRAL	14-10	14-10	-----	-----
EQUIP. GRND.	12-8	12-2		

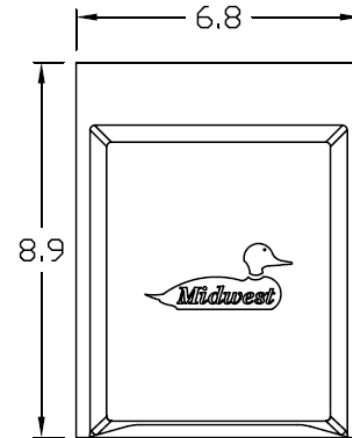
Left Side View



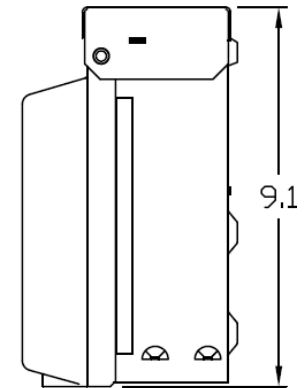
Front Interior



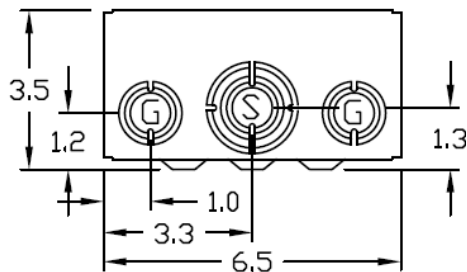
Front Cover



Right Side View



Bottom View



Knockouts

G= 1/2", 3/4", 1" KO
S= 1/2", 3/4", 1", 1-1/4", 1-1/2" KO



MIDWEST 40A EVAPORATIVE COOLER SWITCH 120/240V
(2) 20A RECEPTACLES FUSIBLE STEEL N3R ENCLOSURE

CAT NO	DWG DATE	REV #
U261F	04/10/2016	02