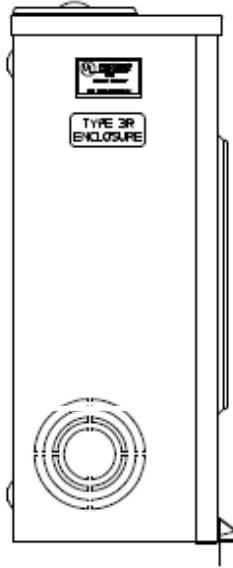
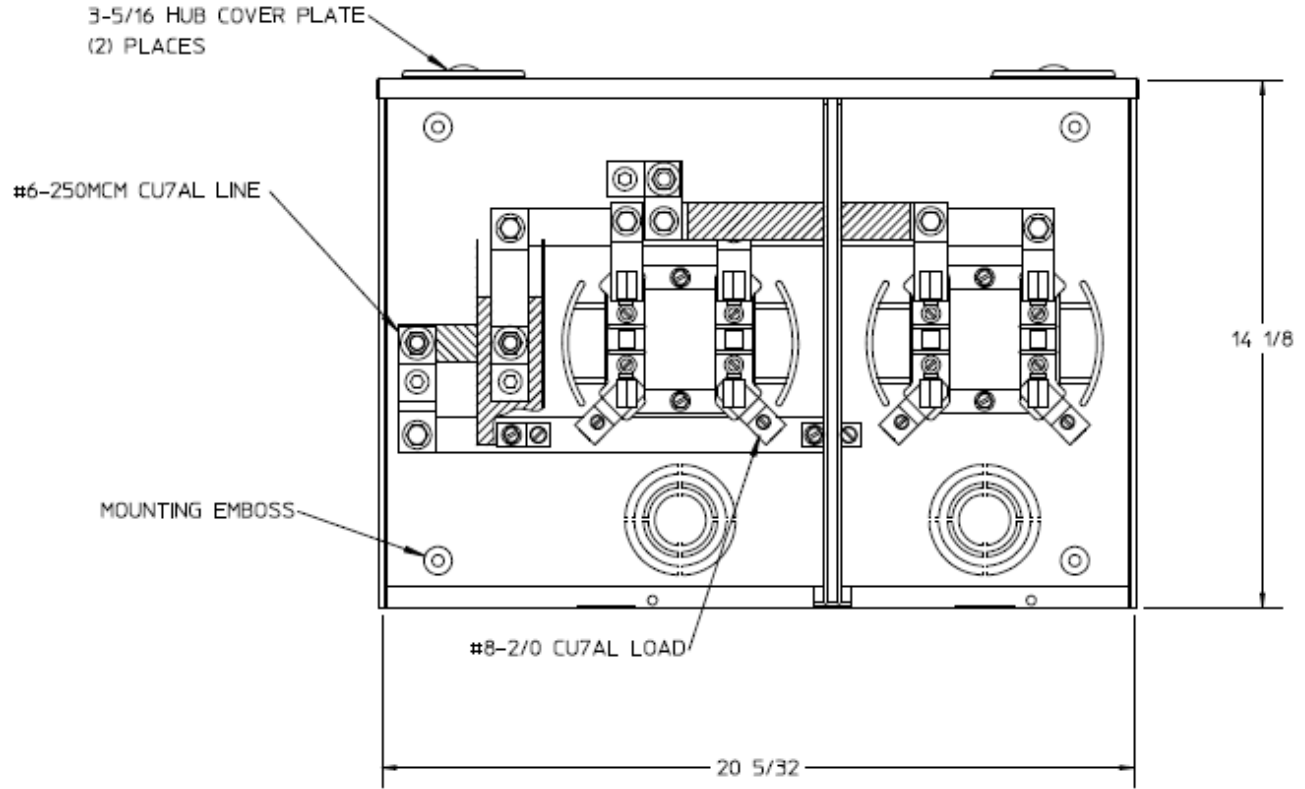


**Side View**



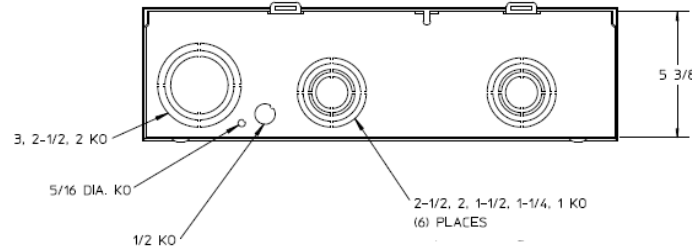
**Front View**



**Notes**

- 1) FINISH: GRAY
- 2) CABINET: 16 GA GALV. STEEL
- 3) 100 AMP CONTINUOUS PER POSITION  
600VAC, 1 PHASE, 3-WIRE  
200A AMP CONTINUOUS (TOTAL) UNIT RATING
- 4) TEMPORARY CARDBOARD METER OPENING COVER PROVIDED
- 5) GE LABEL ATTACHED TO THE END OF THE CARTON
- 6) GE LOGO LOCATED IN THE LOWER LEFT-HAND CORNER OF THE FRONT

**Bottom View**



GE is a registered trademark used under license from General Electric company.



HORIZ GANGED METER SOCKETS-(2) 100A 600V N3R  
1P3W (2) SMALL HUB CVR PLTS 4-TERM END FED G90

CAT NO	DWG DATE	REV #
U2R1421CGE	02/09/2016	01